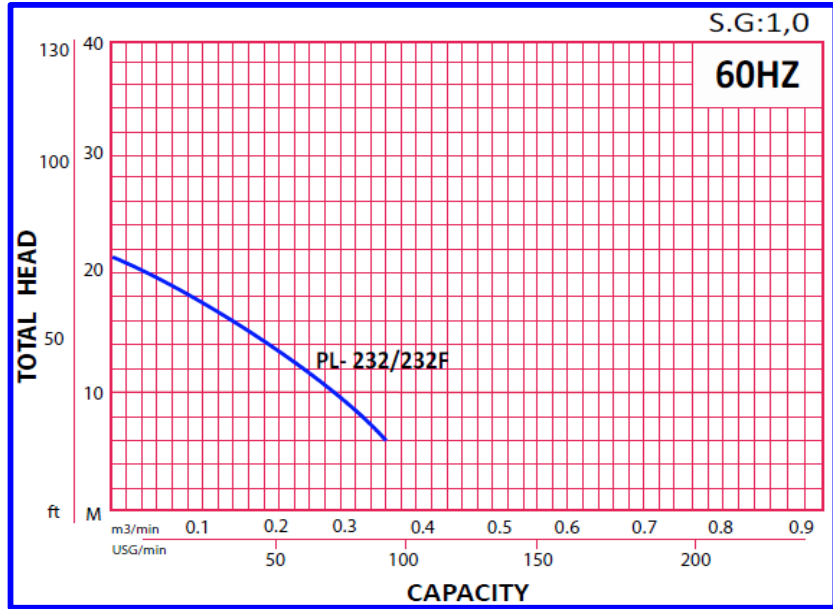


Pump Data

Brand : Gol Pump
Model : GPL - 232

Head Rate : 53 FEET Flow Rate: 48 GPM
Head Max: 66 FEET Flow Max: 101 GPM
Head Min: 20 FEET Flow Min : 5 GPM
RPM : 3450 rpm
Normal Power P1 : 2 HP
Fluid: Water
Fluid Temperature: at about 25 °C
Density: water 997 kg/m³
Fluid Viscosity: 8.90 × 10⁻⁴ Pa·s
With Float switch: NONE
Self Priming: Submersible
Delivery size: 1 1/2" NPT
Suction size: With Strainer
Made in : TAIWAN



Motor Data

Power P2: *
Power P1: 1.5 KW
Phase (PH): 3
Rate Voltage : 480 V
Capacitor Need : * μF
Ferequency : 60 Hz
Rated Speed (rpm): 3450 rpm
Current (A): 2 A
Cos φ : 0.85
Degree of Protection (IP): IP 68
Safety Protection Included : *
length of Cable : * mm2×m
Kind of Plug : NONE
Ambient Temp : 40°C = 104°F



Other Pump Data

Impeller Size (mm) : *
Pressuer Rating : PN 16
Min. Fluid Temp : 0°C = 32° F
Max. Fluid Temp : 90°C = 194°F
Ambient Temp : 40°C = 104°F
Humidity % : 100%

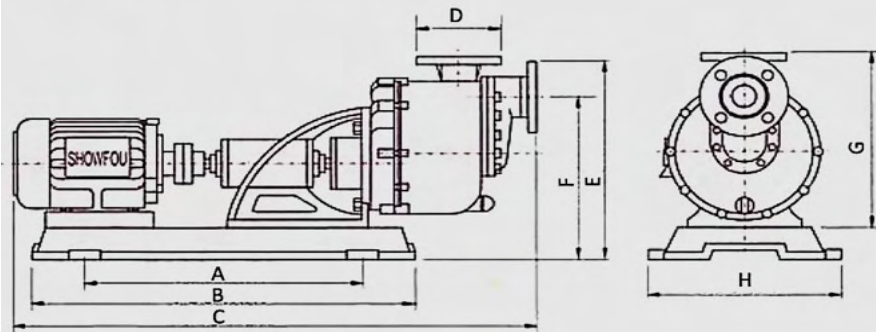
Special Specification

Installation status : Ver
Variable frequency : NONE
Solid Passage 40 mm

Materials

Pump Body : Cast Iron
Support: FRPP
Impeller: FRPP
Mechanical Seal: Teflon
Rubber: NBR
Pump Shaft: SUS 304
Strainer: FRPP
outer cover: Cast Iron
Motor: Cast Iron

GPL-132/232/332/532
GPL-132F/232F/332F/532F



Shaft Seal

Type: *
Stationary Part: Ceramic
Rotating Part: Carbon
Elastomer: FRPP

Weight : 44 Kg

Standard Approve



Applicant:

Wasted and Polluted Water Treatment PCB Electronic Industry Brick Kiln Industry Paper
Industry Leather Dyeing and Textile Surface Electric Plated Industry Chemical Engineering
Industry Medical and Pharmaceutical Industry and Food Industry High Temperature
and Chemical Liquid with Particles Can be used Limitedly such as Chemical Cuprem
Potassium Manganate Plating Gold Liquid and non-Electrolytic Nickel Plating Solvents Etc.

Dimention in

mm

A 520
B 780
C 1140
D 156
E 413
F 326
G 358
H 390

Pump and Motor specification optional

With Booster System: None
With Complack: None
Special Material: None
Specail Voltage: None

Protection system required

External Flout switch: *
Minimum Starter: Starter SWT