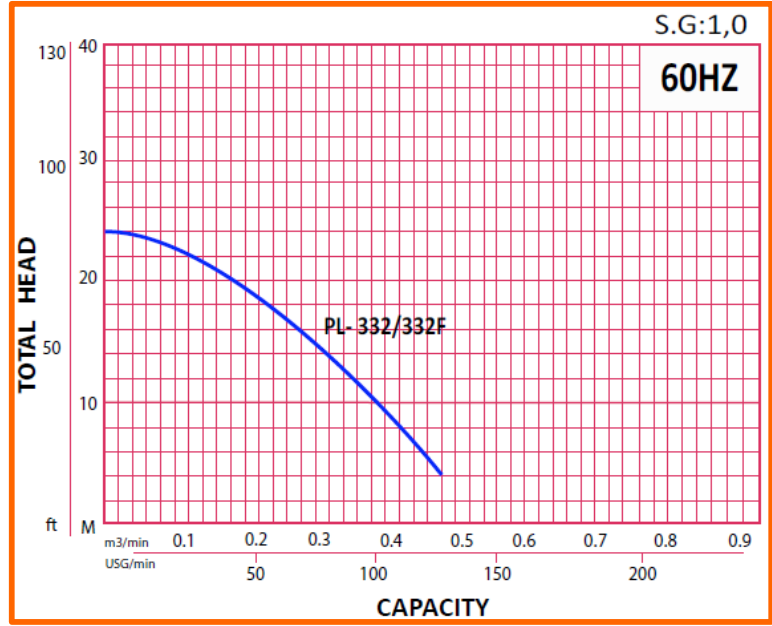


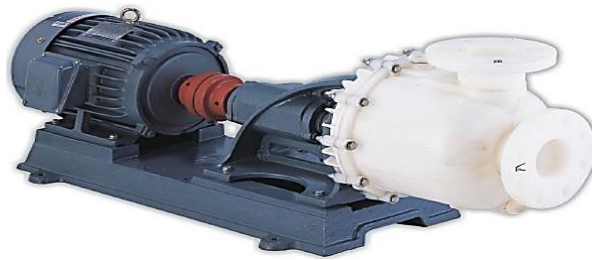
**Pump Data**

Brand :	Gol Pump		
Model :	GPL - 332 F		
Head Rate :	53 FEET	Flow Rate:	69 GPM
Head Max:	80 FEET	Flow Max:	128 GPM
Head Min:	13 FEET	Flow Min :	5 GPM
RPM :	3450 rpm		
Normal Power P1 :	3 HP		
Fluid:	Water		
Fluid Temperature:	at about 25 °C		
Density:	water 997 kg/m³		
Fluid Viscosity:	8.90 × 10 <sup>-4</sup> Pa·s		
With Float switch	NONE		
Self Priming	Submersible		
Delivery size	2" NPT		
Suction size	With Strainer		
Made in :	TAIWAN		



**Motor Data**

Power P2:	*		
Power P1:	2.2 KW		
Phase (PH):	3		
Rate Voltage :	480 V		
Capacitor Need :	*	µF	
Ferequency :	60 Hz		
Rated Speed (rpm):	3450 rpm		
Current (A):	3 A		
Cos φ :	0.85		
Degree of Protection (IP):	IP 68		
Safety Protection Included :	*		
length of Cable :	*	mm2xm	
Kind of Plug :	NONE		
Ambient Temp :	40°C = 104°F		



**Other Pump Data**

Impeller Size (mm) :	*		
Pressuer Rating :	PN 16		
Min. Fluid Temp :	0°C = 32°F		
Max. Fluid Temp :	90°C = 194°F		
Ambient Temp :	40°C = 104°F		
Humidity % :	100%		

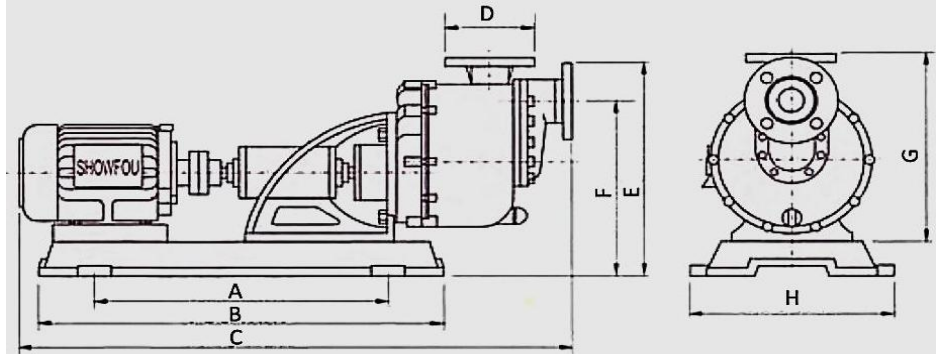
**Special Specification**

Installation status :	Ver		
Variable frequency :	NONE		
Solid Passage	50 mm		

**Materials**

Pump Body :	Cast Iron		
Support:	FRPP		
Impeller	FRPP		
Mechanical Seal:	Teflon		
Rubber	NBR		
Pump Shaft:	SUS 304		
Strainer	FRPP		
outer cover:	Cast Iron		
Motor:	Cast Iron		

GPL-132/232/332/532  
GPL-132F/232F/332F/532F



**Shaft Seal**

Type:	*		
Stationary Part	Ceramic		
Rotating Part	Carbon		
Elastomer	FRPP		

Weight : 45 Kg

Standard Approve



**Applicant:**

Wasted and Polluted Water Treatment PCB Electronic Industry Brick Kiln Industry Paper  
Industry Leather Dyeing and Textile Surface Electric Plated Industry Chemical Engineering  
Industry Medical and Pharmaceutical Industry and Food Industry High Temperature  
and Chemical Liquid with Particles Can be used Limitedly such as Chemical Cuprem  
Potassium Manganate Plating Gold Liquid and non-Electrolytic Nickel Plating Solvents Etc.

Dimention in

mm

A	520
B	780
C	1140
D	156
E	413
F	326
G	358
H	390

**Pump and Motor specification optional**

With Booster System	None		
With Complack	None		
Special Material	None		
Specail Voltage	None		

**Protection system required**

External Flout switch	*		
Minimum Starter	Starter SWT		