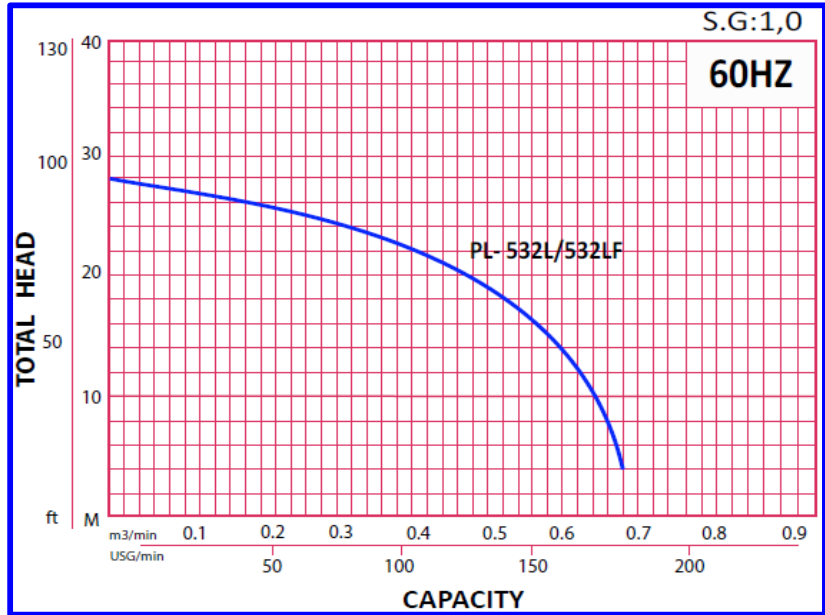


Pump Data

Brand : Gol Pump
Model : GPL - 532 L

Head Rate : 66 FEET Flow Rate: 101 GPM
Head Max: 93 FEET Flow Max: 181 GPM
Head Min: 13 FEET Flow Min : 5 GPM
RPM : 3450 rpm
Normal Power P1 : 5 HP
Fluid: Water
Fluid Temperature: at about 25 °C
Density: water 997 kg/m³
Fluid Viscosity: 8.90 × 10⁻⁴ Pa·s
With Float switch: NONE
Self Priming: Submersible
Delivery size: 3" NPT
Suction size: With Strainer
Made in : TAIWAN



Motor Data

Power P2: *
Power P1: 3.7 KW
Phase (PH): 3
Rate Voltage : 480 V
Capacitor Need : * μF
Ferequency : 60 Hz
Rated Speed (rpm): 3450 rpm
Current (A): 5.2 A
Cos φ : 0.85
Degree of Protection (IP): IP 68
Safety Protection Included : *
length of Cable : * mm2×m
Kind of Plug : NONE
Ambient Temp : 40°C = 104°F



Other Pump Data

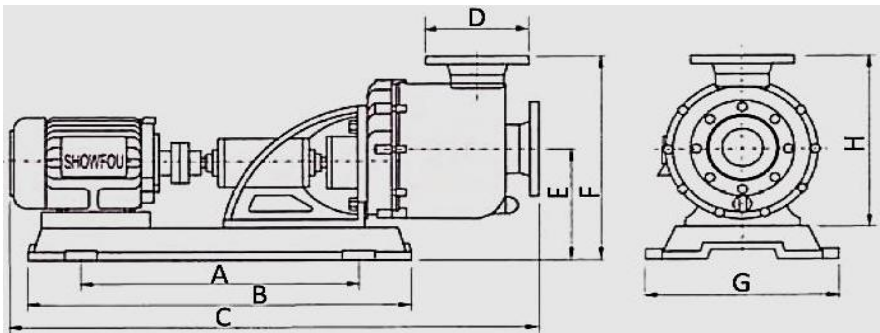
Impeller Size (mm) : *
Pressuer Rating : PN 16
Min. Fluid Temp : 0°C = 32°F
Max. Fluid Temp : 90°C = 194°F
Ambient Temp : 40°C = 104°F
Humidity % : 100%

Special Specification

Installation status : Ver
Variable frequency : NONE
Solid Passage 80 mm

Materials

Pump Body : Cast Iron
Support: FRPP
Impeller: FRPP
Mechanical Seal: Teflon
Rubber: NBR
Pump Shaft: SUS 304
Strainer: FRPP
outer cover: Cast Iron
Motor: Cast Iron



GPL-532L/732L/1 032L
GPL-532LF/732F/1 032F

Shaft Seal

Type: *
Stationary Part: Ceramic
Rotating Part: Carbon
Elastomer: FRPP

Weight : 49 Kg

Standard Approve



Applicant:

Wasted and Polluted Water Treatment PCB Electronic Industry Brick Kiln Industry Paper Industry Leather Dyeing and Textile Surface Electric Plated Industry Chemical Engineering Industry Medical and Pharmaceutical Industry and Food Industry High Temperature and Chemical Liquid with Particles Can be used Limitedly such as Chemical Cuprem Potassium Manganate Plating Gold Liquid and non-Electrolytic Nickel Plating Solvents Etc.

Dimension in

mm

A 520
B 780
C 1140
D 185
E 220
F 430
G 390
H 358

Pump and Motor specification optional

With Booster System: None
With Compack: None
Special Material: None
Specail Voltage: None

Protection system required

External Flout switch: *
Minimum Starter: Starter SWT