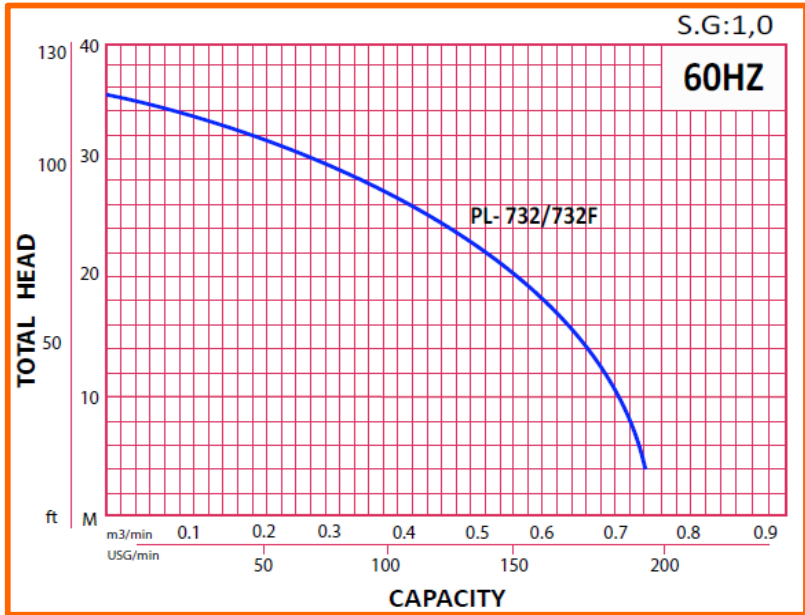


**Pump Data**

Brand : Gol Pump  
 Model : GPL - 732 F  
 Head Rate : 93 FEET      Flow Rate: 101 GPM  
 Head Max: 116 FEET      Flow Max: 194 GPM  
 Head Min: 13 FEET      Flow Min : 5 GPM  
 RPM : 3450 rpm  
 Normal Power P1 : 7.5 HP  
 Fluid: Water  
 Fluid Temperature: at about 25 °C  
 Density: water 997 kg/m³  
 Fluid Viscosity: 8.90 × 10<sup>-4</sup> Pa-s  
 With Float switch: NONE  
 Self Priming: Submersible  
 Delivery size: 3" NPT  
 Suction size: With Strainer  
 Made in : TAIWAN



**Motor Data**

Power P2: \*  
 Power P1: 5.5 KW  
 Phase (PH): 3  
 Rate Voltage : 480 V  
 Capacitor Need : \*      μF  
 Ferequency : 60 Hz  
 Rated Speed (rpm): 3450 rpm  
 Current (A): 7.7 A  
 Cos φ : 0.85  
 Degree of Protection (IP): IP 68  
 Safety Protection Included : \*  
 length of Cable : \*      mm2xm  
 Kind of Plug : NONE  
 Ambient Temp : 40°C = 104°F



**Other Pump Data**

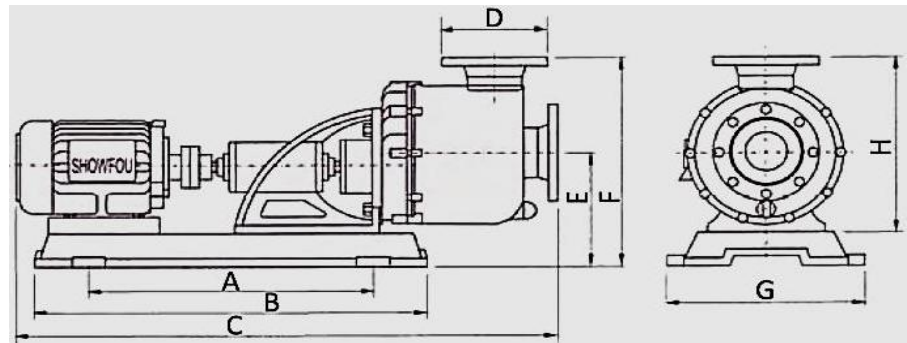
Impeller Size (mm) : \*  
 Pressuer Rating : PN 16  
 Min. Fluid Temp : 0°C = 32°F  
 Max. Fluid Temp : 90°C = 194°F  
 Ambient Temp : 40°C = 104°F  
 Humidity % : 100%

**Special Specification**

Installation status : Ver  
 Variable frequency : NONE  
 Solid Passage : 80      mm

**Materials**

Pump Body : Cast Iron  
 Support: FRPP  
 Impeller: FRPP  
 Mechanical Seal: Teflon  
 Rubber: NBR  
 Pump Shaft: SUS 304  
 Strainer: FRPP  
 outer cover: Cast Iron  
 Motor: Cast Iron



GPL-532L/732L/1 032L  
 GPL-532LF/732F/1 032F

**Shaft Seal**

Type: \*  
 Stationary Part: Ceramic  
 Rotating Part: Carbon  
 Elastomer: FRPP

Weight : 53 Kg

Standard Approve



**Applicant:**

Wasted and Polluted Water Treatment PCB Electronic Industry Brick Kiln Industry Paper  
 Industry Leather Dyeing and Textile Surface Electric Plated Industry Chemical Engineering  
 Industry Medical and Pharmaceutical Industry and Food Industry High Temperature  
 and Chemical Liquid with Particles Can be used Limitedly such as Chemical Cuprem  
 Potassium Manganate Plating Gold Liquid and non-Electrolytic Nickel Plating Solvents Etc.

Dimention in

mm

- A 520
- B 780
- C 1140
- D 185
- E 220
- F 430
- G 390
- H 358

**Protection system required**

External Flout switch : \*  
 Minimum Starter : Starter SWT