



EL20 Electric pump

PUMP SPECIFICATIONS

Max Capacity [m ³ /h - USGPM]	160 - 700
Max Head [m - ft]	27 - 89
Impeller diameter [mm - in]/type	260 - 10 /3 blades opened
Flanged bore size [DN/PN - in]	DN100/PN10 - 4
Solid handling [mm - in]	25 - 1
Weight [kg - lb]	310 - 680

ELECTRIC MOTOR

Power [kW - HP]	15-20
Voltage [V]/Current [A]	280-460 / 41.6-25.32
Phases/Poles/Frequency [Hz]	3 / 4 / 60
Speed [RPM]	1750
Insulation class	H
Power cable 20 m (IEC 60245-4)	H07RN-F 4G10

MATERIALS

Casing	Spheroidal cast iron EN-GJS500-7 (EN1563)
Motor housing	Spheroidal cast iron EN-GJS500-7 (EN1563)
Wear parts	High chrome EN-GJN-HV600 (XCr18) (EN12513)
Main shaft	High tensile steel 39NiCrMo3 (AISI 9840)

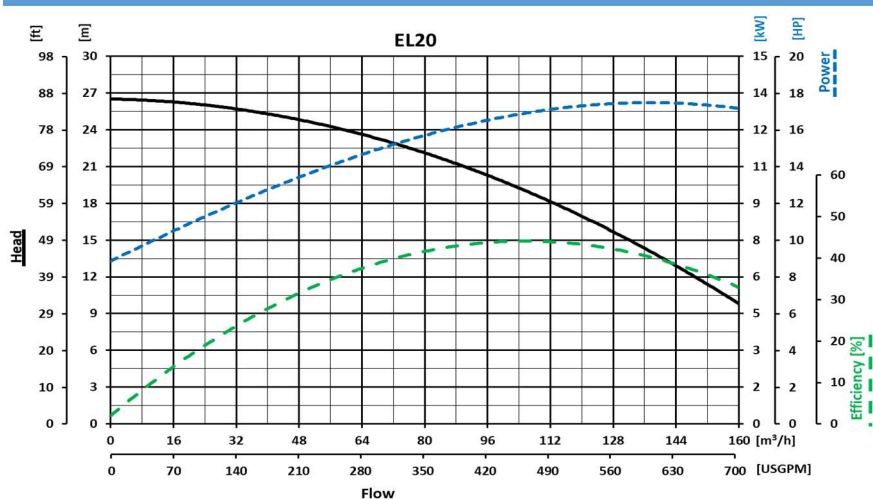
SEALS / LUBRICANT

Motor side seals	1 mechanical seal (silicon carbide in oil bath)
Impeller side seals	1 mechanical seal (silicon carbide in oil bath) + 4 lip seals (2 BUNA + 2 TPU)
Oil type	ISO 32

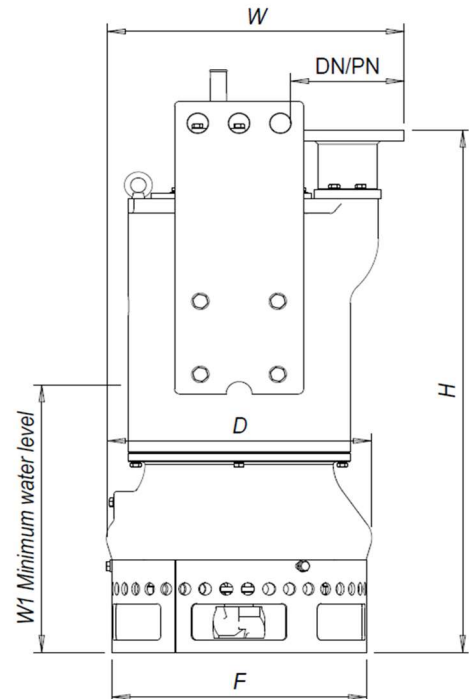
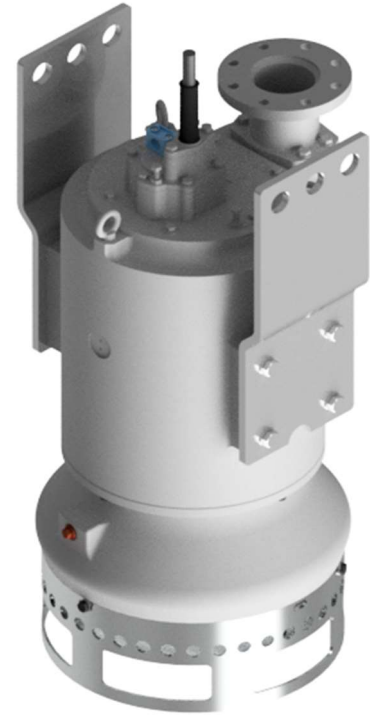
DIMENSIONS [in]

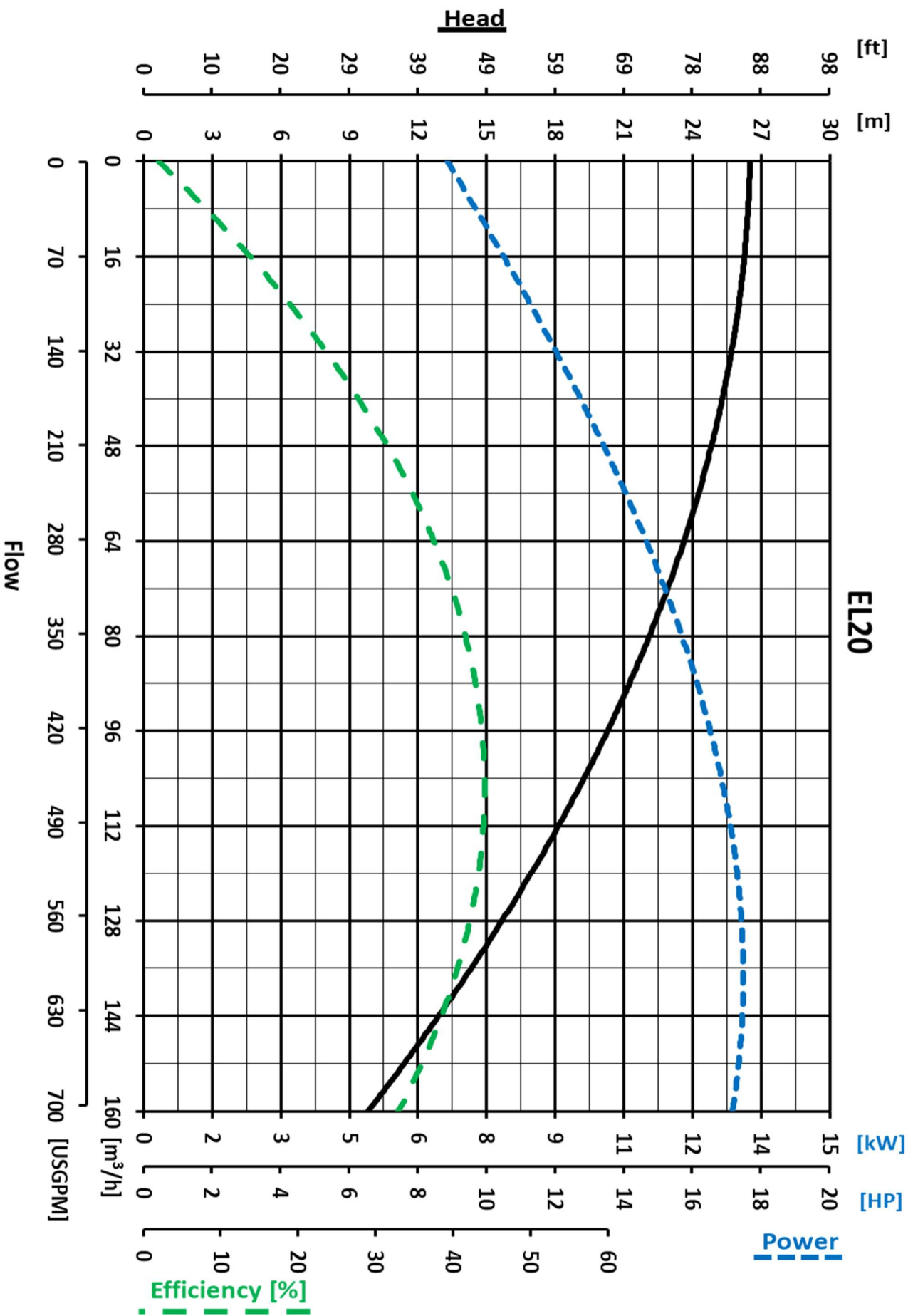
H	W	D	F	H1
43	23	20	19	36

PERFORMANCE CURVES



We reserve the right to make changes without notice





We reserve the right to make changes without notice