



GOL PUMPS TECHNOLOGY INC

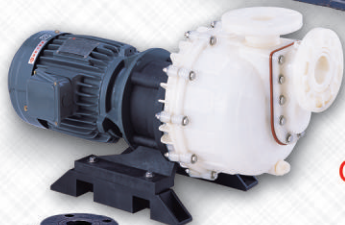
60 Hz

Chemical Pump

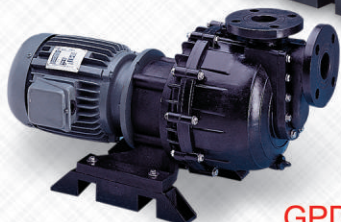
ELECTRIC PUMP



GPL



GPD - F



GPD



GPE - F



GPE



GPEB



ISO-9001/CNS12681





G.P.T.CO

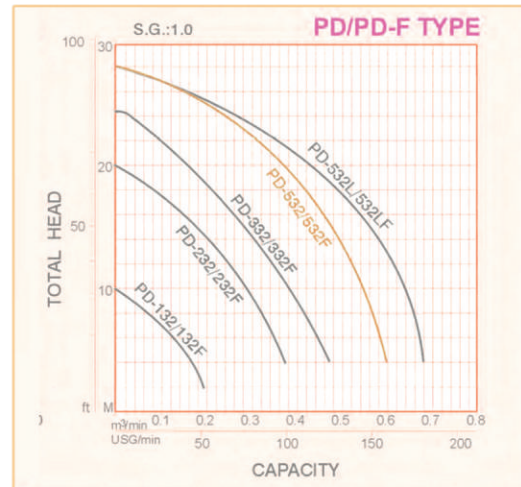
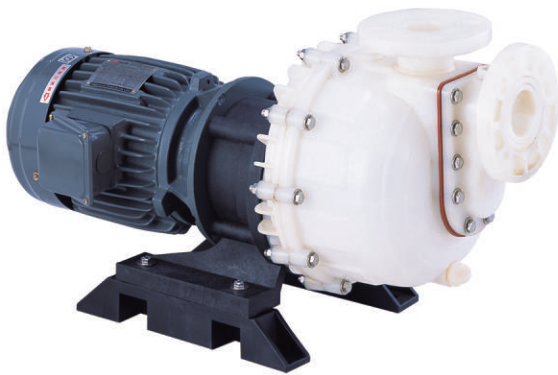
GPD/GPD-F

Self-Priming
Chemical Pump

GPD TYPE (FRPP)



GPD-F TYPE (PVDF)



TYPE		S.G	MOTOR				PUMP				Weight kg	Height mm	Width mm	Length mm
FRPP	PVDF		POWER		Phase	Volt	Disch.Dia.		Max.Head	Max.Flow				
			HP	kw	PH	V	inch	mm	M	m³/min				
PD/PD-F SELF-PRIMING CHEMICAL PUMP- FRPP/PVDF														
GPD-132	GPD-132F	1	1	0.75	3	220-480	15	40	10	0.19	30	374	265	625
GPD-232	GPD-232F	1	2	1.5	3	220-480	15	40	20	0.38	37	374	265	704
GPD-332	GPD-332F	1	3	2.2	3	220-480	2	50	24	0.48	40	374	265	704
GPD-532	GPD-532F	1	5	3.7	3	220-480	2	50	28	0.60	69	420	265	780
GPD-532L	GPD-532LF	1	5	3.7	3	220-480	3	80	28	0.68	70	425	265	830

- * Equipped with Teflon Bellow Seal
- * The weight of motor are not included.
- * Especially design for electroplating industries.
- * The motors of PUPL-F need to be ordered separately.



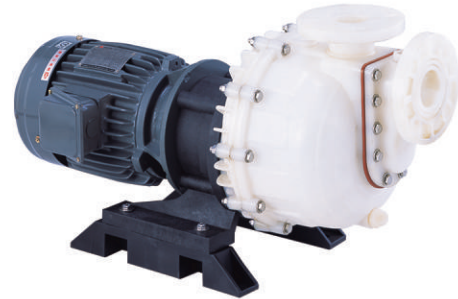
G.P.T. CO

GPD/GPD-F

Tough Construction against High Corrosive and High Temperature Chemical Liquids by adopting self-cooling design "TEFLON BELLOW SEAL".



GPD Type (PVDF)



GPD-F Type (PVDF)

Material:

Gol pump provides FRPP and PVDF pump body to meet customer's requirement.

FRPP : Fiber Reinforced Polypropylene.

Operating temperature range	FRPP	0°C~90°C
	PVDF	-20°C~95°C

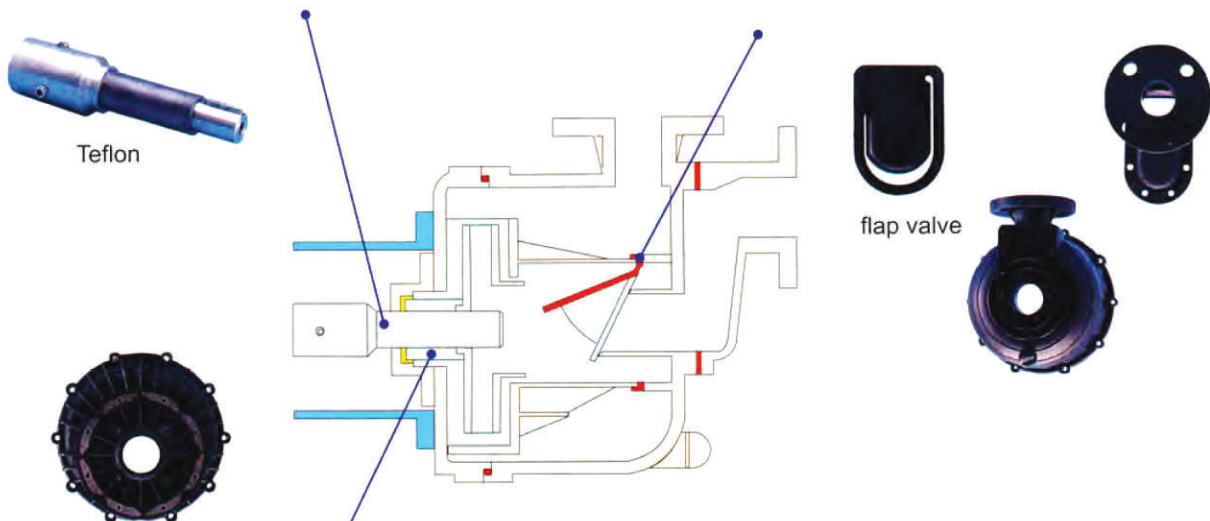
FEATURES

Special main shaft

The sus304 main shaft are covered with Teflon to resist high corrosive chemical liquids

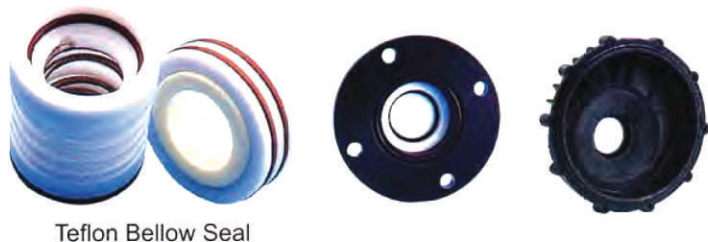
Self-priming ability

Excellent self-priming ability can suck the liquid up to 6 meter, and the flap valve design can prevent liquid back flow to maintain the flow rate



Teflon Bellow Seal

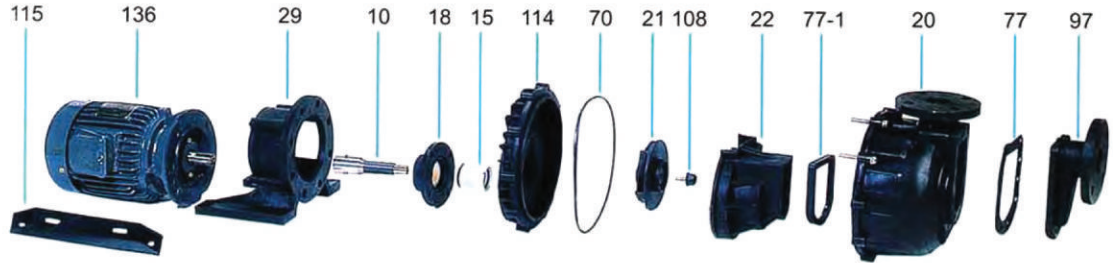
Adopting "Teflon Bellow Seal" and Superior anti-corrosive construction to correspond most of chemical liquids such as strong acid and alkali. and the "pump lower cover" adopting with self-cooling design to prevent the "Teflon below seal" from damage.





G.P.T. CO

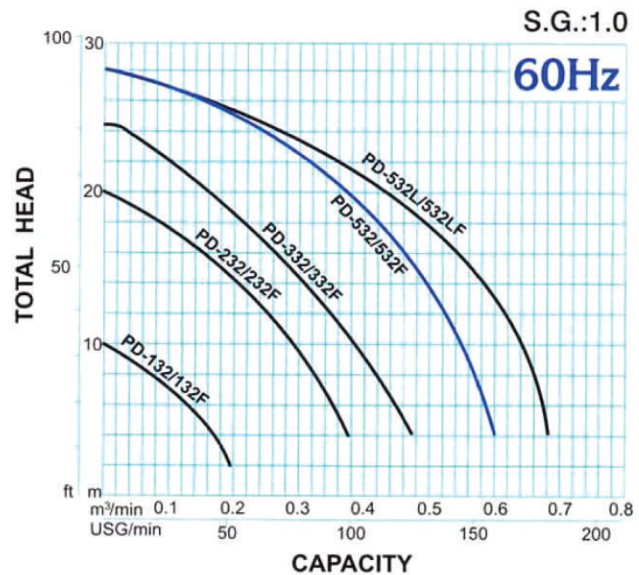
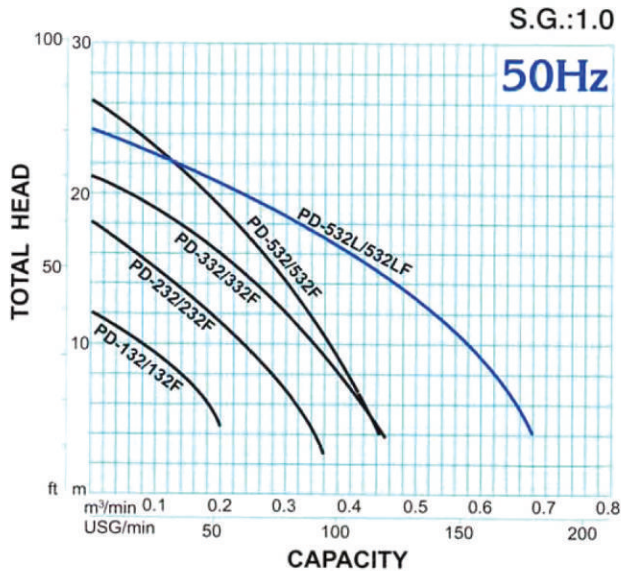
GPD/GPD-F



GPD-GPD-F Type SPECIFICATIONS

Hz	Type		S.G	Motor			Pump				Weight kg	Height mm	Pump Dia mm
	FRPP	PVDF		Power	Phase	Volt	Bore size		Max. Head	Max. Flow			
	PD	PD-F		KW(HP)	PH	V	Inlet inch(mm)	Outlet inch(mm)	m	m ³ /min			
50	GPD-132	GPD-132F	1.0	0.75(1)	3	220~480	1 1/2"(40)	1 1/2"(40)	12	0.20	26	374	625
	GPD-232	GPD-232F	1.0	1.5(2)	3	220~480	1 1/2"(40)	1 1/2"(40)	18	0.36	34	374	704
	GPD-332	GPD-332F	1.0	2.2(3)	3	220~480	2"(50)	2"(50)	21	0.44	42	374	704
	GPD-532	GPD-532F	1.0	3.7(5)	3	220~480	2"(50)	2"(50)	26	0.44	56	420	780
	GPD-532L	GPD-532LF	1.0	3.7(5)	3	220~480	3"(80)	3"(80)	24	0.68	86	425	830
60	GPD-132	GPD-132F	1.0	0.75(1)	3	220~480	1 1/2"(40)	1 1/2"(40)	10	0.19	26	374	625
	GPD-232	GPD-232F	1.0	1.5(2)	3	220~480	1 1/2"(40)	1 1/2"(40)	20	0.38	34	374	704
	GPD-332	GPD-332F	1.0	2.2(3)	3	220~480	2"(50)	2"(50)	24	0.48	42	374	704
	GPD-532	GPD-532F	1.0	3.7(5)	3	220~480	2"(50)	2"(50)	28	0.60	56	420	780
	GPD-532L	GPD-532LF	1.0	3.7(5)	3	220~480	3"(80)	3"(80)	28	0.68	86	425	830

GPD ·GPD-F Type PERFORMANCE CURVE

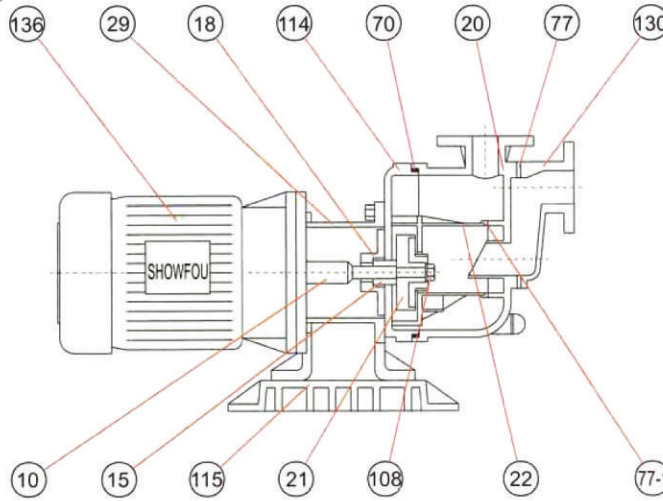




G.P.T.CO

GPD/GPD-F

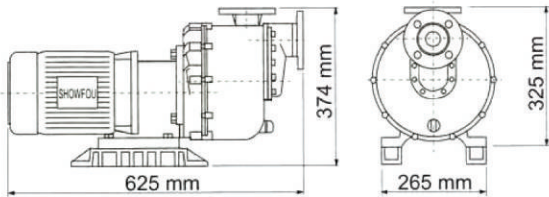
STRUCTURE



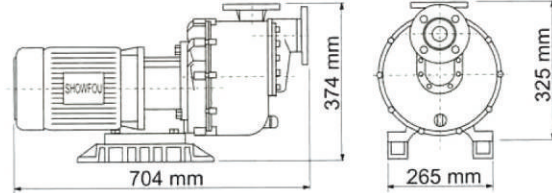
No.	Name	Material		Q'TY
		PD	PD-F	
10	Shaft	SUS304 + TEFLON		1
15	Mechanical seal	(TEFLON) Ceramic+Carbon	(TEFLON) SiC+SiC	1
18	Seal cover	FRPP	PVDF	1
20	Pump casing	FRPP	PVDF	1
21	Impeller	FRPP	PVDF	1
22	Suction cove	FRPP	PVDF	1
29	Pump bracket	FRPP(1HP,2HP,3HP) Cast iron(5HP)		1
70	O-Ring	EPDM	VITON	1
77	Packing	EPDM	VITON	1
77-1	Flap valve	EPDM	VITON	1
108	Nut	FRPP	PVDF	1
114	Pump lower cover	FRPP	PVDF	1
115	Frame	FRPP		2
136	Motor	Cast iron		1
130	Diffuser	FRPP	PVDF	1

DIMENSIONS

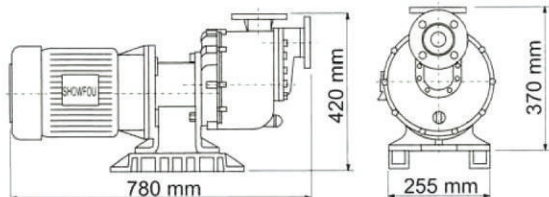
**GPD-132
GPD-132F**



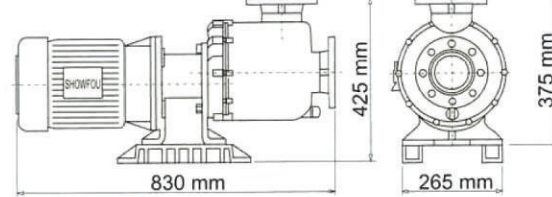
**GPD-232/332
GPD-232F/332F**



**GPD-532
GPD-532F**



**GPD-532L
GPD-532LF**



GPD-532



GPD-532L

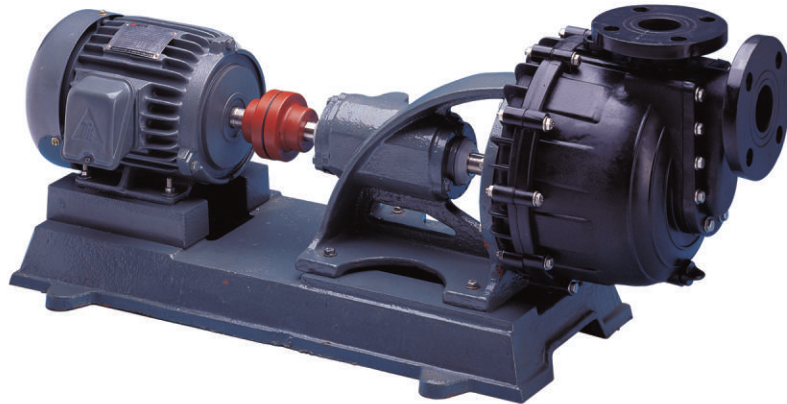


G.P.T. CO

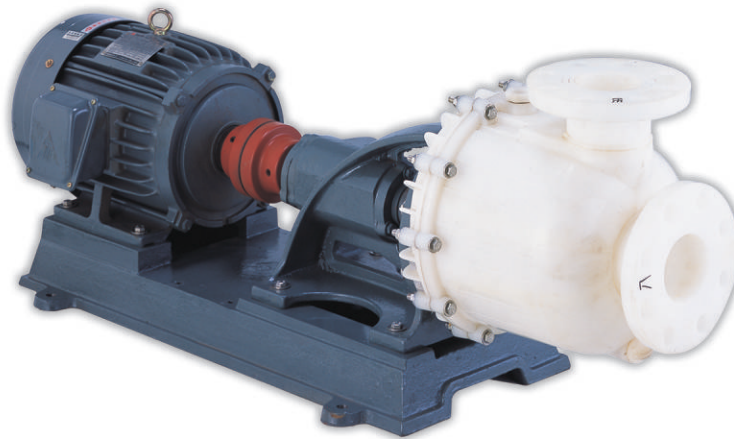
GPL/GPL-F

Self-Priming
Chemical Pump

GPL TYPE (FRPP)



GPL-F TYPE (PVDF)



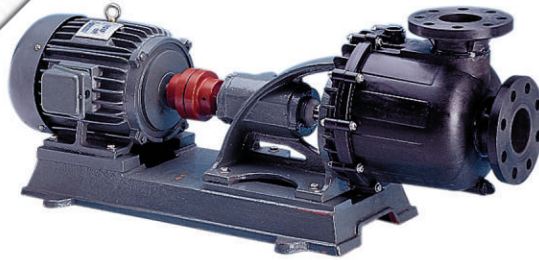
- * Equipped with Teflon Bellow Seal
- * The weight of motor are not included.
- * Especially design for electroplating industries.
- * The motors of PUPL-F need to be ordered separately.



G.P.T.CO

GPL/GPL-F

GPL Type (FRPP)



GPL-F Type (FRPP)

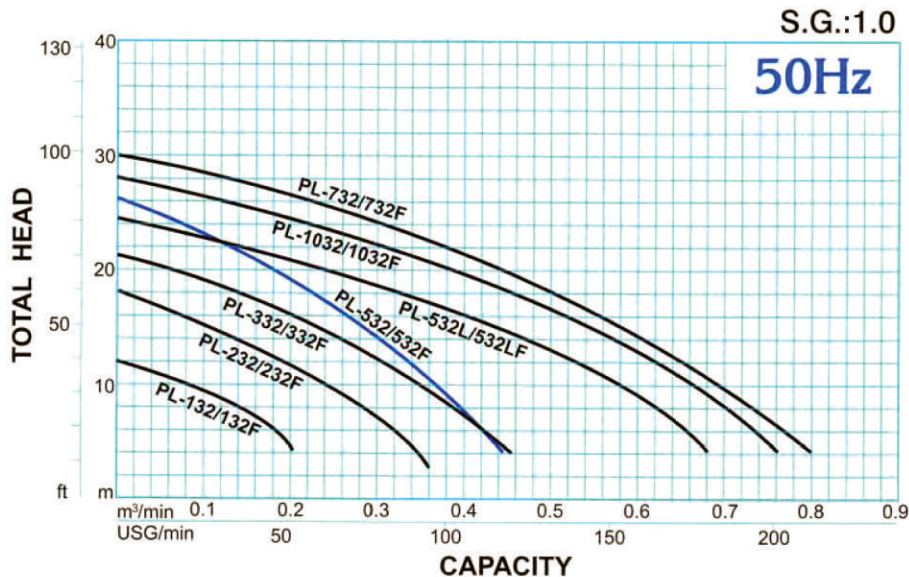


GPL · GPL-F Type SPECIFICATIONS (Without motor)

Hz	Type		S.G	Motor			Pump			※ Weight	Height	Pump Dia	
	FRPP	PVDF		Power	Phase	Volt	Bore size		Max. Head				Max. Flow
	PL	PL-F		KW(HP)	PH	V	Inlet inch(mm)	Outlet inch(mm)	m				m ³ /min
50	GPL-132	G PL-132F	1.0	0.75(1)	3	220~480	1 1/2"(40)	1 1/2"(40)	12	0.20	44	413	1140
	GPL-232	G PL-232F	1.0	1.5(2)	3	220~480	1 1/2"(40)	1 1/2"(40)	18	0.36	44	413	1140
	GPL-332	G PL-332F	1.0	2.2(3)	3	220~480	2"(50)	2"(50)	21	0.44	45	413	1140
	GPL-532	G PL-532F	1.0	3.7(5)	3	220~480	2"(50)	2"(50)	26	0.44	48	413	1140
	GPL-532L	G PL-532LF	1.0	3.7(5)	3	220~480	3"(80)	3"(80)	24	0.68	49	413	1140
	GPL-732	G PL-732F	1.0	5.5(7 1/2)	3	220~480	3"(80)	3"(80)	28	0.75	53	413	1140
	GPL-1032	G PL-1032F	1.0	7.5(10)	3	220~480	3"(80)	3"(80)	30	0.80	53	413	1140
60	GPL-132	G PL-132F	1.0	0.75(1)	3	220~480	1 1/2"(40)	1 1/2"(40)	10	0.19	44	413	1140
	GPL-232	G PL-232F	1.0	1.5(2)	3	220~480	1 1/2"(40)	1 1/2"(40)	20	0.38	44	413	1140
	GPL-332	G PL-332F	1.0	2.2(3)	3	220~480	2"(50)	2"(50)	24	0.48	45	413	1140
	GPL-532	G PL-532F	1.0	3.7(5)	3	220~480	2"(50)	2"(50)	28	0.6	48	413	1140
	GPL-532L	G PL-532LF	1.0	3.7(5)	3	220~480	3"(80)	3"(80)	28	0.68	49	413	1140
	GPL-732	G PL-732F	1.0	5.5(7 1/2)	3	220~480	3"(80)	3"(80)	35	0.73	53	413	1140
	GPL-1032	G PL-1032F	1.0	7.5(10)	3	220~480	3"(80)	3"(80)	40	0.92	53	413	1140

※The weight of motor are not included.

GPL · GPL-F Type PERFORMANCE CURVE

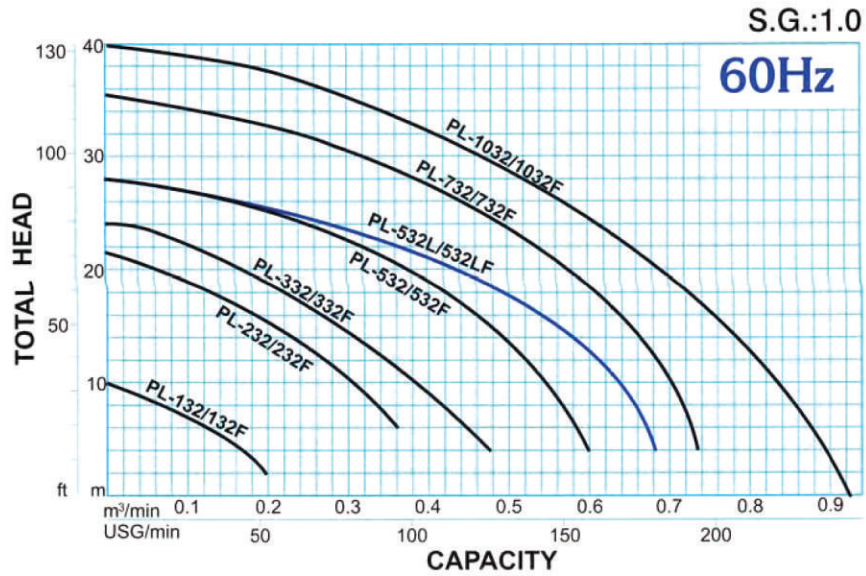




G.P.T. CO

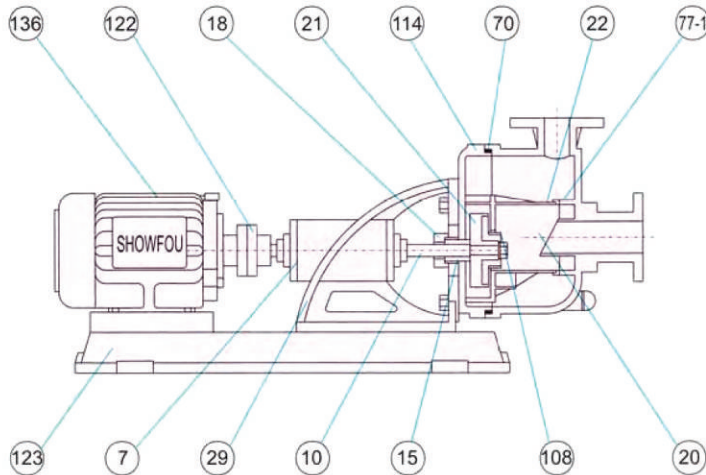
GPL/GPL-F

GPL · GPL-F Type PERFORMANCE CURVE



STRUCTURE

GPL · GPL-F Type

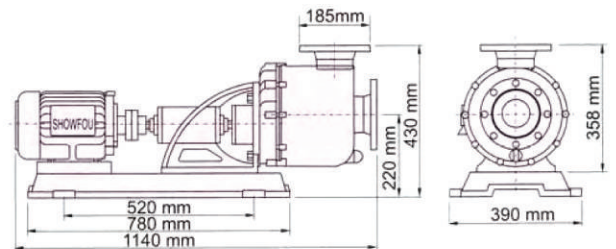
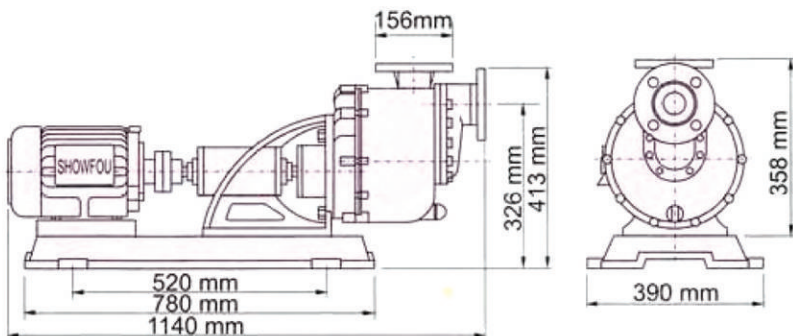


No.	Name	Material		Q'TY
		PL	PL-F	
7	Bearing			2
10	Shaft	SUS304 + TEFLON		1
15	Mechanical seal	(TEFLON) Ceramic+Carbon	(TEFLON) SiC+SiC	1
18	Seal cover	FRPP	PVDF	1
20	Pump casing	FRPP	PVDF	1
21	Impeller	FRPP	PVDF	1
22	Suction cover	FRPP	PVDF	1
29	Pump bracket	Cast iron		1
70	O-Ring	EPDM	VITON	1
77	Racking	EPDM	VITON	1
77-1	Flap valve	EPDM	VITON	1
108	Nut	FRPP	PVDF	1
114	Pump lower cover	FRPP	PVDF	1
122	Coupling	FC + Rubber		2
123	Base	Cast iron Casing		1
136	Motor	Cast iron Casing		1

DIMENSIONS

GPL-132/232/332/532

GPL-132F/232F/332F/532F



GPL-532L/732L/1 032L
GPL-532LF/732F/1 032F



G.P.T. CO

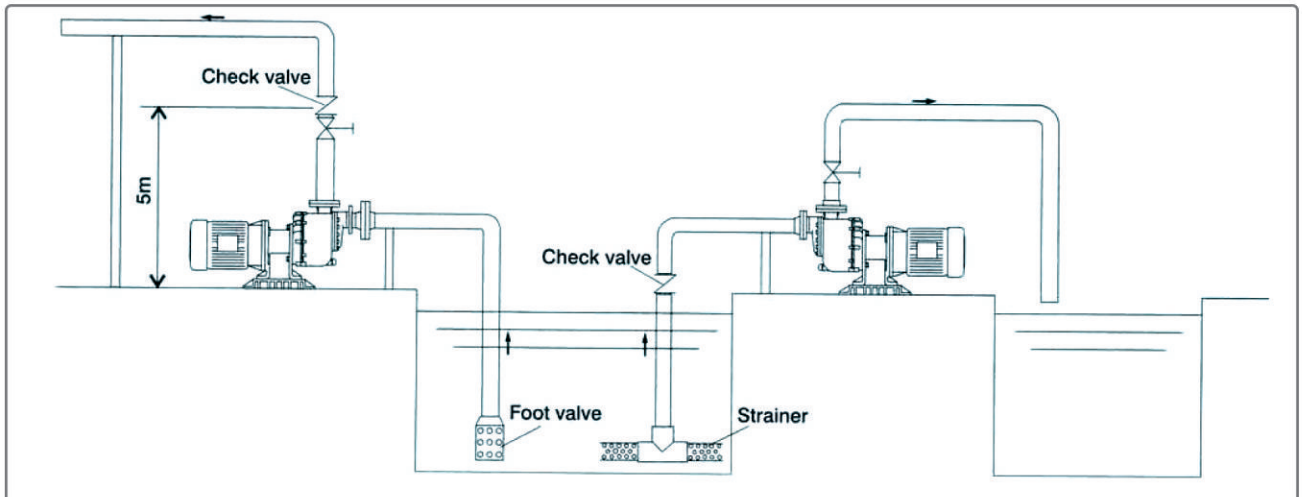
GPL/GPL-F

APPLICATIONS

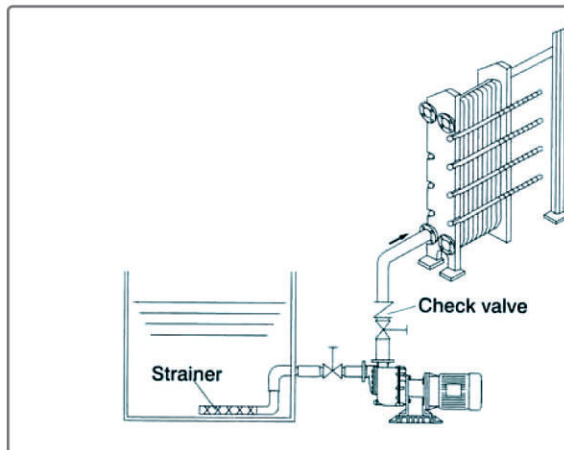
- Wasted and polluted water treatment.
- PCB electronic industry brick kiln industry.
- Paper industry, leather industry, dyeing and textile.
- Surface electric plated industry.
- Chemical engineering industry.
- Medical and pharmaceutical industry and food industry.

INSTALLATION NOTICE

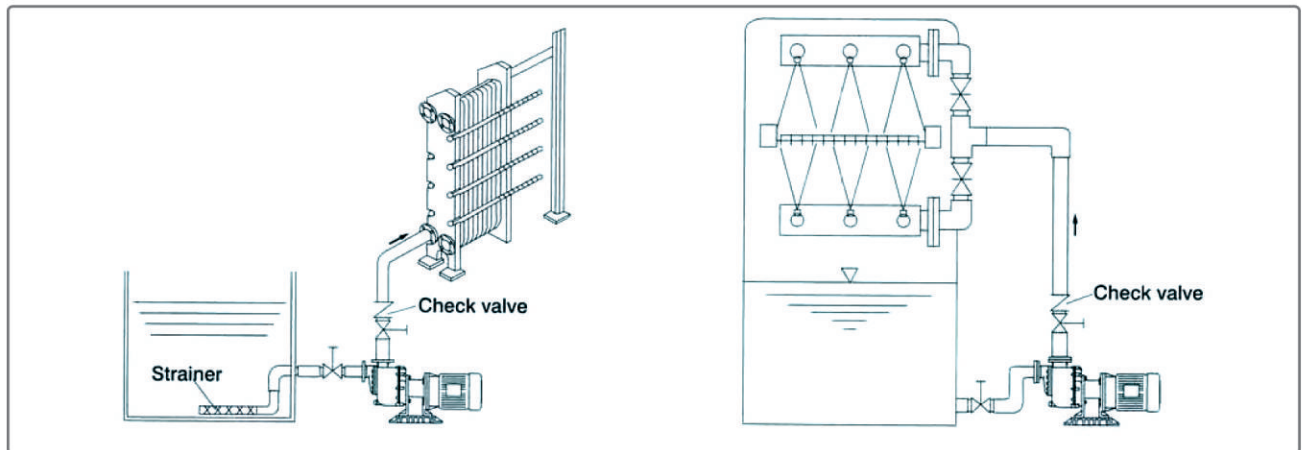
Transfer for tank to tank



Heat exchanger circulation



PCB washing pumps for etching machine



1. For the first installation, please fill the pump with the liquid to prevent the mechanical seal damage.
2. Lay down a strainer at the suction inlet of pipe to avoid incoming rubbish and foreign matter, and we also recommend you to use a foot valve at the suction inlet of pipe to get even better performance.
3. Place a check valve at discharge pipe line and air bypass under the check valve in order to avoid breakage by water hammer.
4. In case of high temperature liquid over 40°C, place flexible joints and bending in pipe line to avoid piping load to pump by pipe's expansion.
Avoid deformation of pump by over-tightening when using a flexible joint, a loose flange made of metal or an inner packing on the piping line.
5. Place each flange surface of pipe and pump in parallel and do not over-tightening by bolts.
6. Use resin pipe, avoid metal pipe as much as possible.



G.P.T. CO

GPE/GPE-F/GPEB

Dry Free Vertical Sealless Pump

GPE TYPE (FRPP)



GPE-F TYPE (FRPP)



GPEB TYPE (FRPP)

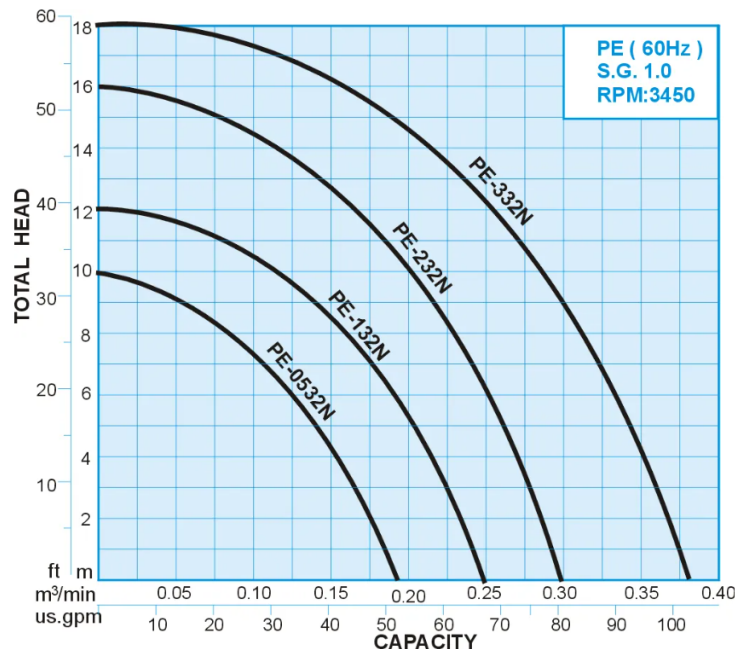


GPE · GPE-F Type SPECIFICATIONS

TyGPE		60 Hz	Power		Phase	Voltage	Poles	Inlet Dia.		Outlet Dia.		Max Head		Max Flow		Wt.		Height	Pump Dia.
FRPP	PVDF	S.G.	HP	kW	PH	V	P	inch	mm	inch	mm	M	Ft	m ³ /min	Gal/min	kg	lb	mm	mm
GPE-0532N	GPE-0532FN	1	0.50	0.4	3	220-480	2	2	50	1	25	10	32.8	0.19	0.8	19.4	42.68	558	289
GPE-132N	GPE-132FN	1	1.00	0.75	3	220-480	2	2	50	1.5	40	12	39.4	0.25	1.1	20	44	540	289
GPE-232N	GPE-232FN	1	2.00	1.5	3	220-480	2	2	50	1.5	40	16	52.5	0.3	1.3	23	50.6	618	289
GPE-332N	GPE-332FN	1	3.00	2.2	3	220-480	2	2	50	1.5	40	18	59.0	0.38	1.7	35	77	618	289
GPEB-332	NA	1.1	3	2.20	3	220-480	2	2	50	1.5	40	26	85.3	0.64	2.8	41	90.2	768	330
GPEB-532	NA	1.1	5	3.70	3	220-480	2	2.5	65	2	50	33	108.2	0.76	3.3	55	121	804	330
GPEB-532L	NA	1.1	5	3.70	3	220-480	2	3	80	3	80	30	98.4	0.8	3.5	55	121	804	330
GPEB-732	NA	1.1	7.5	5.50	3	220-480	2	3	80	3	80	40	131.2	1	4.4	95	209	869	330
GPEB-332P	NA	1.4	3	2.20	3	220-480	2	2.5	65	2	50	22	72.2	0.54	2.4	41	90.2	768	330
GPEB-532P	NA	1.4	5	3.70	3	220-480	2	3	80	3	80	30	98.4	0.8	3.5	55	121	804	330
GPEB-732P	NA	1.4	7.5	5.50	3	220-480	2	3	80	3	80	33	108.2	0.84	3.7	95	209	869	330

GPE · GPE-F Type PERFORMANCE CURVE

PERFORMANCE CURVES



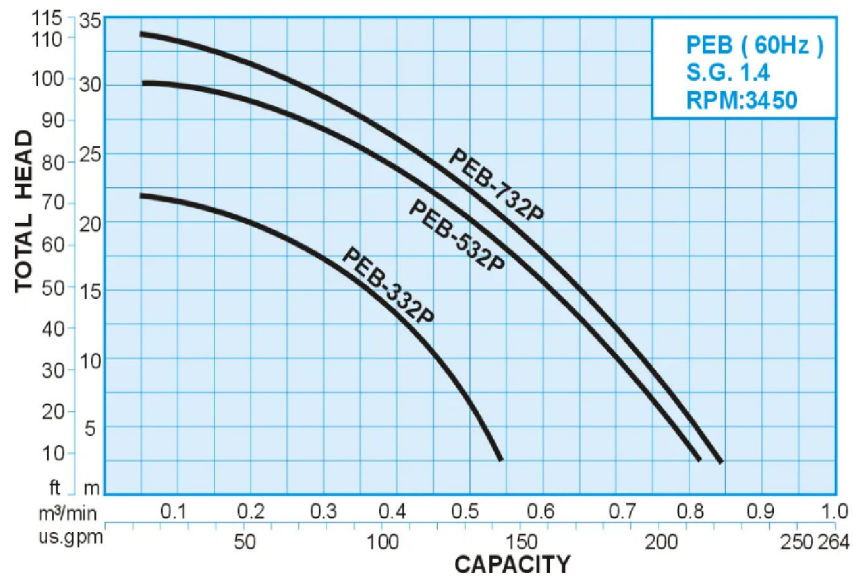
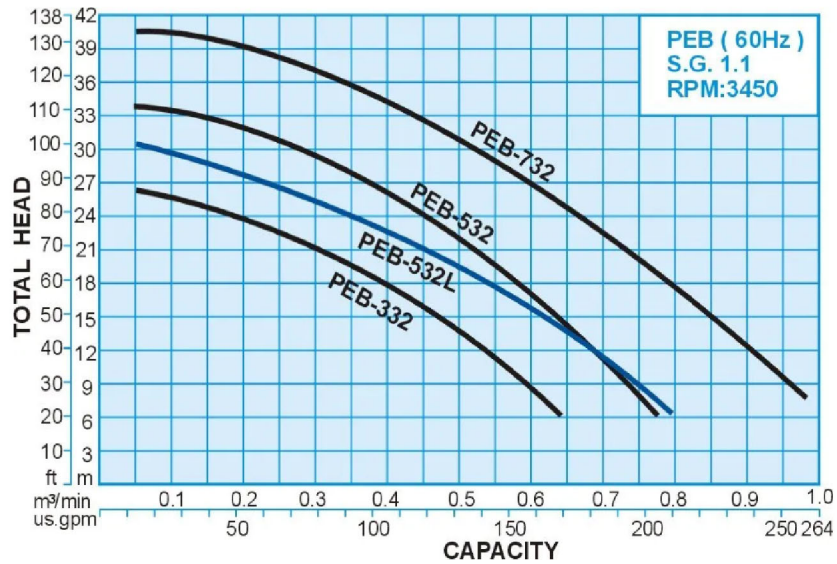
* Capable for Dry Running.
* Especially design for electroplating industrie



G.P.T. CO

GPEB

Dry Free Vertical Sealless Pump



- * Capable for Dry Running.
- * Especially design for electroplating industries.



G.P.T. CO

GPL/GPL-F

Pumps with New Sealless Structure Design and Adopting Unique lip Seal Feature to give Pump Dry Running Ability.



GPE-F Type
(PVOF)



GPE Type
(FRPP)



GPEB Type
(FRPP)

Material

Gol pump provide FRPP and PVDF pump body to meet customer's requirement.

FRPP : Fiber Reinforced Polypropylene.

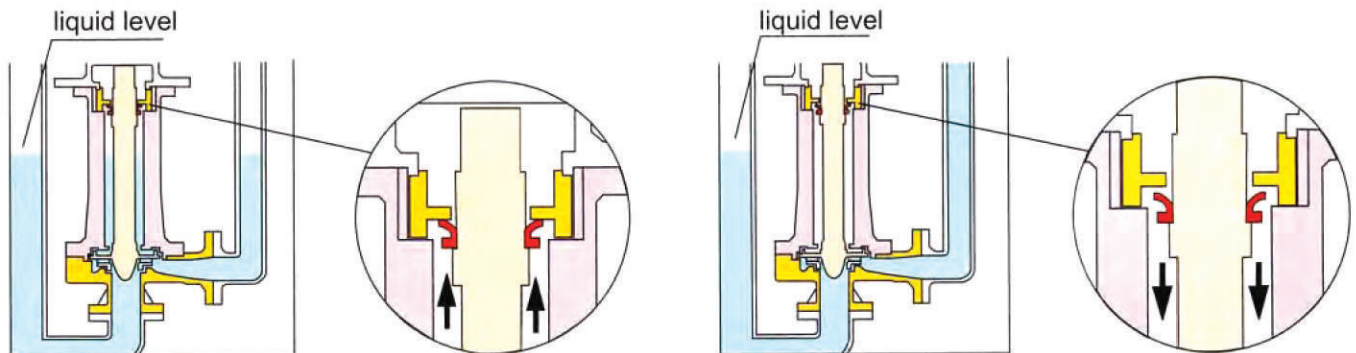
Operating temperature range	FRPP	0°C~90°C
	PVDF	-20°C~95°C

FEATURES

Sealless structure

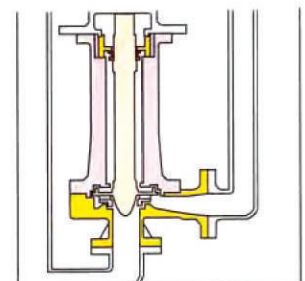
The sealless principal of fluid in our Showfou vertical sealless pump is to utilize the pressure, viscosity, and friction of the fluid.

During running, the fluid flowing to shaft caused by inner pressure. but the specially designed two-layered impeller enables to seal up the fluid successfully and reduce the suction air to enter the pump; thus, the inner will keep high vacuum situation.



Dry cunning ability

Superior construction design, there is no any contact between the pump body and the impeller. Owing to no any friction caused in running, the long period dry running will not cause any damage with pump.



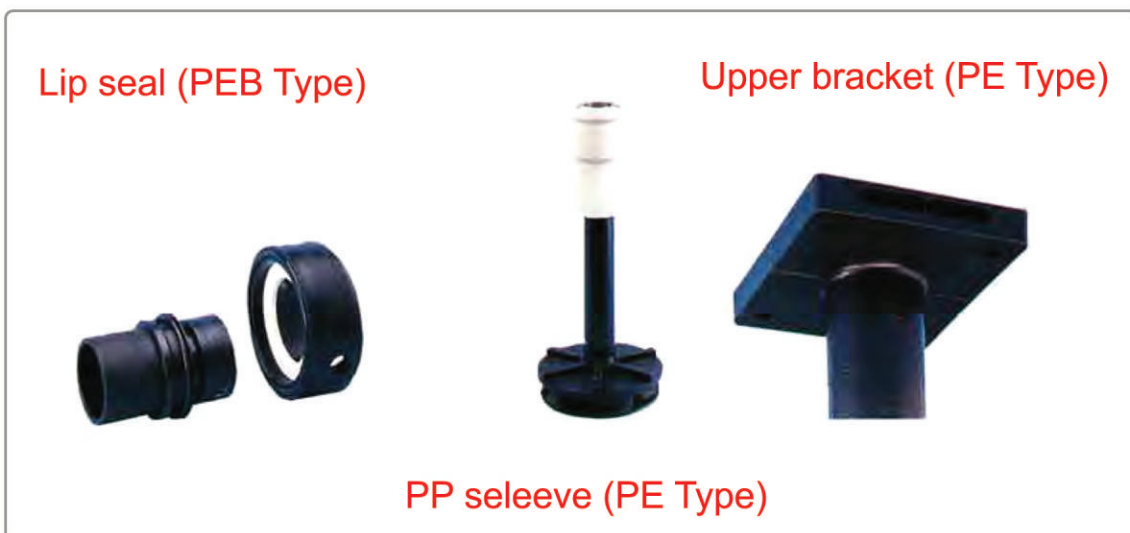


G.P.T. CO

GPL/GPL-F

Lip seal structure and PP sleeve

To prevent chemical gas entering to motor shaft, Our Showfou solution is to equip PEB type with a lip seal, so when the pump is in operation, the lip seal is forced to open by centrifugal force in order to stop the gas leakage. When stop, the lip seal will close up to seal up the chemical gas due to reactive force of its rubber. Moreover, an additional part of oil seal on motor will protect the shaft as well. However, for our PE type, the main shaft and motor are protected by the PP sleeve and oil seal, so the leaked gas will be perished immediately due to the special upper bracket design which can also solve the liquid overflow problem.



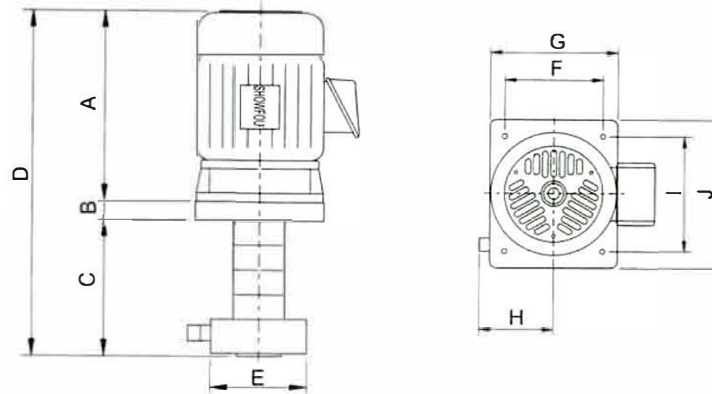


G.P.T.CO

GPL/GPL-F

DIMENSIONS

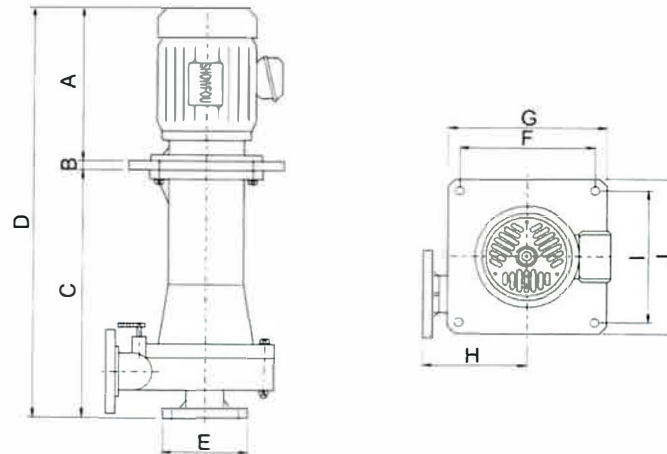
PE · PE-F Type



UNIT : mm

Type		Bore size		A	B	C	D	E	F	G	H	I	J
FRPP	PVDF	Inlet	Outlet										
GPE-0532	GPE-0532F	50	25	240	30	266	536	143	147	195	118	179	233
GPE-132	GPE-132F	50	40	234	30	266	530	143	147	195	118	179	233
GPE-232	GPE-232F	50	40	313.5	30	266	609.5	143	147	195	118	179	233
GPE-332	GPE-332F	50	40	313.5	30	266	609.5	143	147	195	118	179	233

PEB Type



UNIT : mm

Type	Bore size		A	B	C	D	E	F	G	H	I	J
	FRPP	Outlet										
GPEB-332	50	40	313	23	426	762	340	222	268	200	222	268
GPEB-532	65	50	362	23	426	811	340	222	268	200	222	268
GPEB-532L	80	80	362	23	426	811	340	222	268	200	222	268
GPEB-732	80	80	376	23	426	825	340	300	350	200	300	350
GPEB-332P	65	50	362	23	426	762	340	222	268	200	222	268
GPEB-532P	80	80	362	23	426	811	340	222	268	200	222	268
GPEB-732P	80	80	376	23	426	825	340	300	350	200	300	350

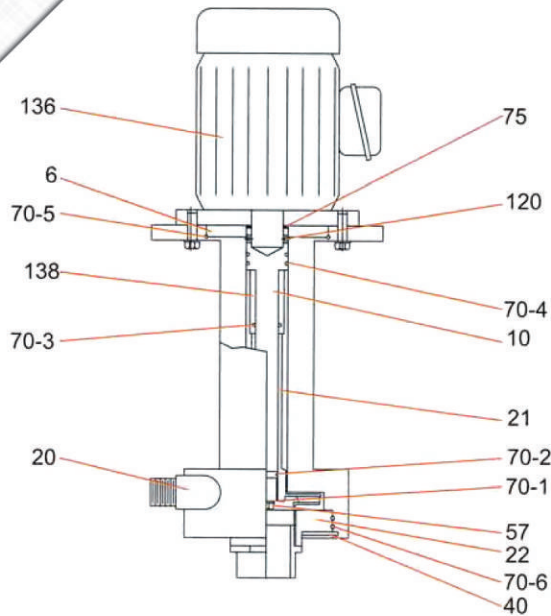


G.P.T. CO

GPL/GPL-F

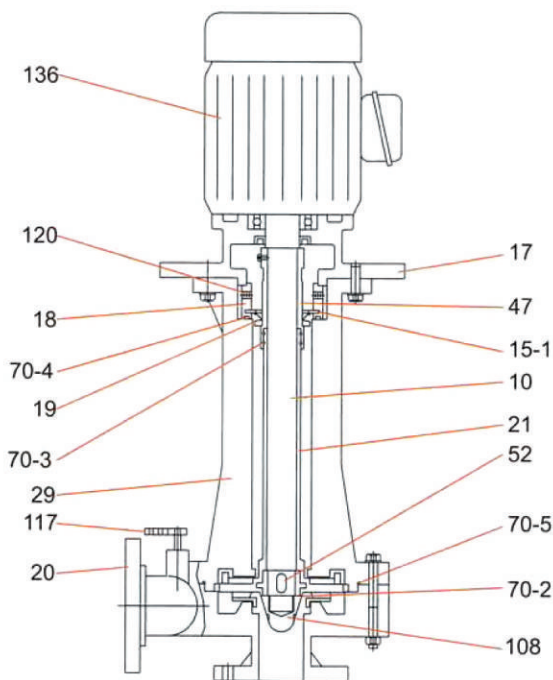
FEATURES

PE · PE-F Type



No.	Name	Material		Q'TY
		PE	PE-F	
6	Upper Bracket	FRPP	PVDF	1
10	Shaft	SUS 304		1
20	Pump Casing	FRPP	PVDF	1
21	Impeller	FRPP	PVDF	1
22	Suction Cove	FRPP	PVDF	1
40	Spring	FRPP	PVDF	1
57	Bolt	FRPP	PVDF	1
70-1	O-ring	EPDM	VITON	1
70-2	O-ring	EPDM	VITON	1
70-3	O-ring	EPDM	VITON	1
70-4	O-ring	EPDM	VITON	2
70-5	O-ring	EPDM	VITON	1
70-6	O-ring	EPDM	VITON	2
75	Shaft Rubber	EPDM	VITON	1
120	Bolt	SUS 304		1
136	Motor	Cast iron casing		1
138	Sleeve	PP	PP	1

PEB Type



No.	Name	Material	Q'TY
		PEB	
10	Shaft	SUS 304	1
15-1	Seal case ring	Ceramic	1
17	Motor lower cover	FRPP (3HP, 5HP) Cast iron (7 1/2HP)	1
18	Seal cover	FRPP	1
19	Vapor seal	VITON	1
20	Pump casing	FRPP	1
21	Impeller	FRPP	1
29	Pump Bracket	FRPP	1
47	Band-cable-fixed	FRPP	1
52	Key	SUS 304	1
57-2	Bolt	SUS 304	8
57-3	Bolt	SUS 304	8
67	Nut	SUS 304	8
70-2	O-ring	VITON	1
70-3	O-ring	VITON	2
70-4	O-ring	VITON	1
70-5	O-ring	VITON	1
77	Packing	VITON	1
108	Nut	FRPP	1
117	Air valve	FRPP	1
120	Bolt	SUS 304	2
136	Motor	Cast iron casing	1



G.P.T. CO

GPL/GPL-F

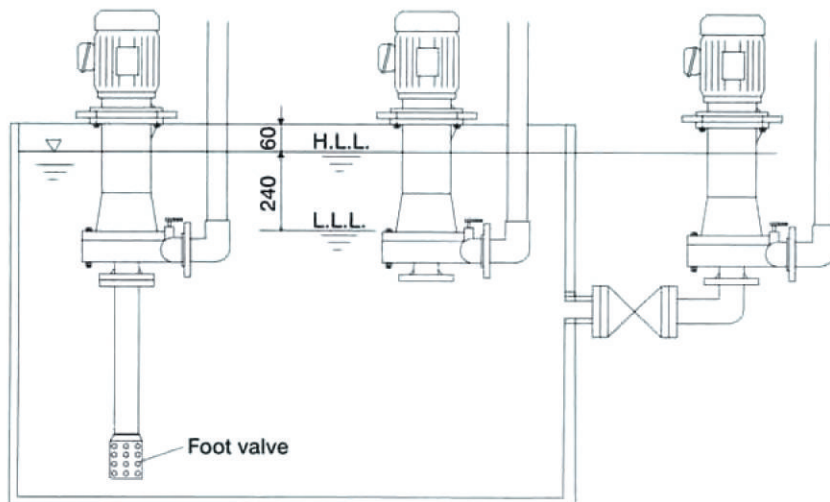
APPLICATIONS

- Transferring and circulating for plating solvents of filter.
- Heat exchanger circulation.
- Press and reaction tank transfer.
- Reaction mixing tank circulation.
- Nickel plating liquid.
- Transfer for tank to tank.
- For etching spray pump.
- Out of tank use for Filter.
- High temperature and chemical liquid with particles can be used limitedly, such as : chemical cuprem, potassium manganate, plating gold liquid and non-electrolytic-nickel plating solvents etc ..

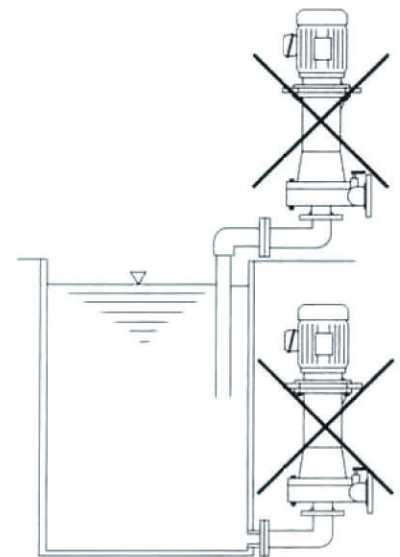
INSTALLATION NOTICE

H.L.L. : Highest Liquid Level

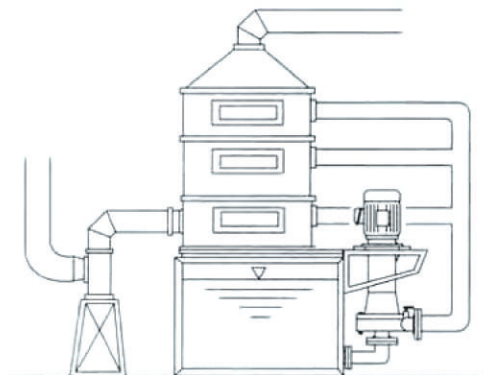
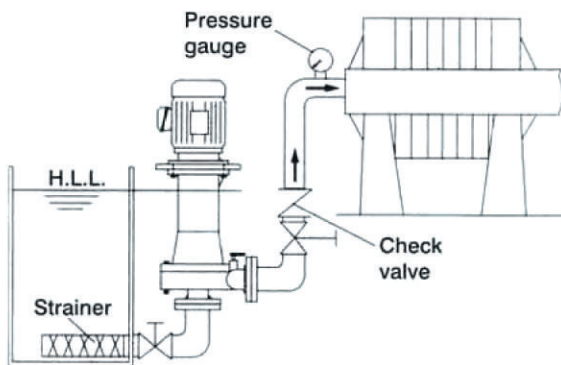
L.L.L. : Lowest Liquid Level



Transferring pumps for reactor and filtering press



Chemical waste gas cleaning tower



1. When starting, The liquid level must above L.L.L.

Please notice the liquid level do not over H.L.L.

2. To use PEB pump inside the tank, please use Titanium, PPS or HTPVC bolts and nuts for the pump body.

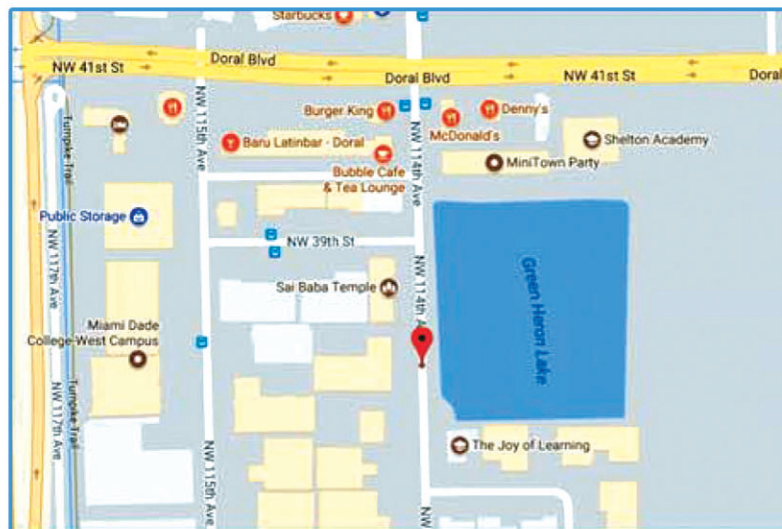
3. Lay down a strainer at the suction inlet of pipe to avoid incoming rubbish and foreign matter.

• Place a check valve at discharge pipe line and air bypass pipe under the check valve in order to avoid breakage by water hammer.



G.P.T.CO

GOL PUMPS TECHNOLOGY INC



3750 NW 114 AVE #6

PH : +1(786) 615 8984

MIAMI , FL 33178

Fax : +1(786) 615 7043

www.golpumps.com

Info@golpumps.com