

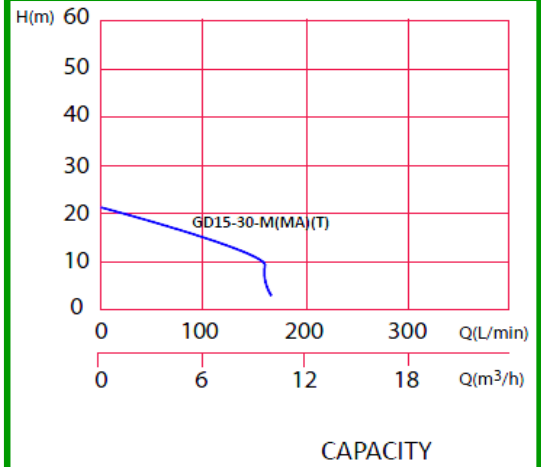
Gol Pumps Thechnology

DATA SHEET Sewage Pump

Gol Pumps Technology INC
www.golpumps.com
www.golpumps.us
 Email : info@golpumps.com

Pump Data

Brand :	Gol Pump		
Model :	GD-15-30-MA		
Head Rate :	46 FEET	Flow Rate :	22 GPM
Head Max:	71 FEET	Flow Max:	42 GPM
Head Min:	10 FEET	Flow Min :	5 GPM
RPM :	3450		
Normal Power P1 :	1.5 HP		
Fluid:	Water		
Fluid Temperature:	at about 25 °C		
Density:	water 997 kg/m ³		
Fluid Viscosity:	8.90 × 10 ⁻⁴ Pa·s		
With Float switch	NONE		
Self Priming	Submersible		
Delivery size	1 1.4" NPT		
Suction size	With Strainer		
Made in :	TAIWAN		



Motor Data

Power P2:	*		
Power P1:	1.1 KW		
Phase (PH):	1		
Rate Voltage :	230 V		
Capacitor Need :	*	µF	
Ferequency :	60 Hz		
Rated Speed (rpm):	3450 rpm		
Current (A):	2.9 A		
Cos φ :	0.95		
Degree of Protection (IP):	IP 68		
Safety Protection Included:	E		
length of Cable :	10	M	
Kind of Plug :	NONE		
Ambient Temp :	40°C = 104°F		

Other Pump Data

Impeller Size (mm) :	*		
Pressuer Rating :	PN 16		
Min. Fluid Temp :	10°C = 50°F		
Max. Fluid Temp :	40°C = 104°F		
Ambient Temp :	40°C = 104°F		
Humidity % :	100%		

Special Specification

Installation status :	Ver		
Variable frequency :	NONE		
Solid Passage	3	mm	

Materials

Pump Body :	FC 200
Support:	FC 200
Impeller	FC 200
Mechanical Seal:	SIC/SIC/NBR
Rubber	SS 41
Pump Shaft:	SUS 410
Strainer	FC 200
outer cover:	FC 200
Motor:	FC 200

Shaft Seal

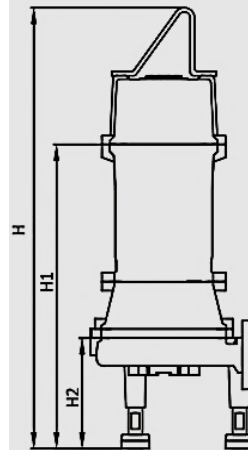
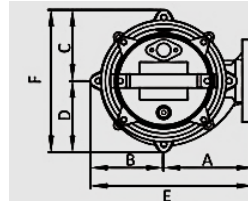
Type:	*		
Stationary Part	SUS 410		
Rotating Part	SUS 410		
Elastomer	FC 200		

Pump and Motor specification optional

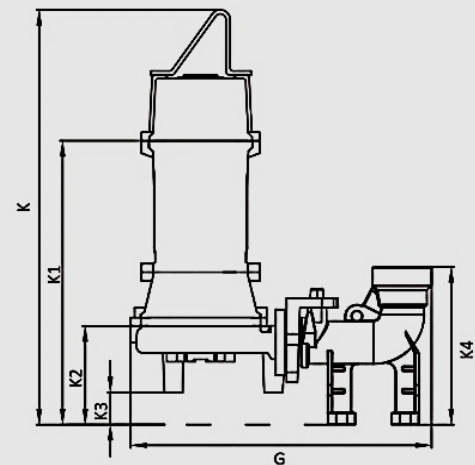
With Booster System	None		
With Complack	None		
Special Material	None		
Specail Voltage	None		

Protection system required

External Flout switch	NONE		
Minimum Starter	Starter SWT		



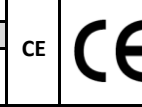
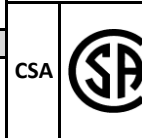
GD-15/20/30



GD-15/20/30
with QG Guide Rail System

Weight : 30.5 Kg

Standard Approve



Applicant:

Waste Water Treatment Sewage Water Drainage of Waste Water
 from Individual Residences Apartment Buildings Recreational
 Developments Motels Transferring Waste Water School Federal
 State and Local Parks to Transfer Various Waste Water
 and Sewage Pulp and Paper Factory Residential Houses

Dimention in

mm

A	128
B	102
C	103
D	103
E	230
F	206
G	445
H	640
H1	445
H2	160
K	630
K1	432
K2	150
K3	50
K4	240