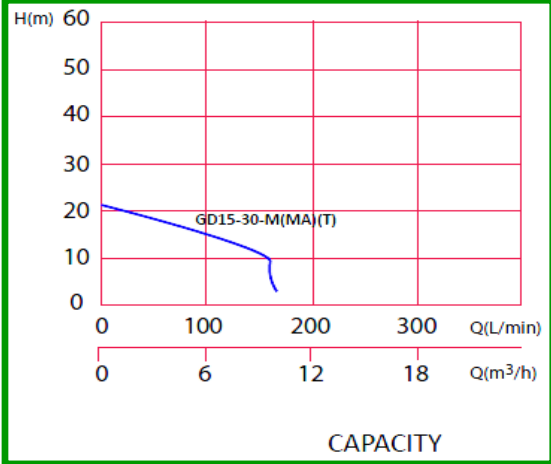


Pump Data

Brand :	Gol Pump		
Model :	GD-15-30-T		
Head Rate :	51 FEET	Flow Rate:	24 GPM
Head Max:	71 FEET	Flow Max:	42 GPM
Head Min:	10 FEET	Flow Min :	5 GPM
RPM :	3450		
Normal Power P1 :	1.5 HP		
Fluid:	Water		
Fluid Temperature:	at about 25 °C		
Density:	water 997 kg/m ³		
Fluid Viscosity:	8.90 × 10 ⁻⁴ Pa·s		
With Float switch	NONE		
Self Priming	Submersible		
Delivery size	1.1.4" NPT		
Suction size	With Strainer		
Made in :	TAIWAN		



Motor Data

Power P2:	*		
Power P1:	1.1 KW		
Phase (PH):	3		
Rate Voltage :	460 V		
Capacitor Need :	*	µF	
Ferequency :	60 Hz		
Rated Speed (rpm):	3450 rpm		
Current (A):	1.6 A		
Cos φ :	0.85		
Degree of Protection (IP):	IP 68		
Safety Protection Included:	E		
length of Cable :	10	M	
Kind of Plug :	NONE		
Ambient Temp :	40°C = 104°F		

Other Pump Data

Impeller Size (mm) :	*		
Pressuer Rating :	PN 16		
Min. Fluid Temp :	10°C = 50°F		
Max. Fluid Temp :	40°C = 104°F		
Ambient Temp :	40°C = 104°F		
Humidity % :	100%		

Special Specification

Installation status :	Ver		
Variable frequency :	NONE		
Solid Passage	3	mm	

Materials

Pump Body :	FC 200		
Support:	FC 200		
Impeller	FC 200		
Mechanical Seal:	SIC/SIC/NBR		
Rubber	SS 41		
Pump Shaft:	SUS 410		
Strainer	FC 200		
outer cover:	FC 200		
Motor:	FC 200		

Shaft Seal

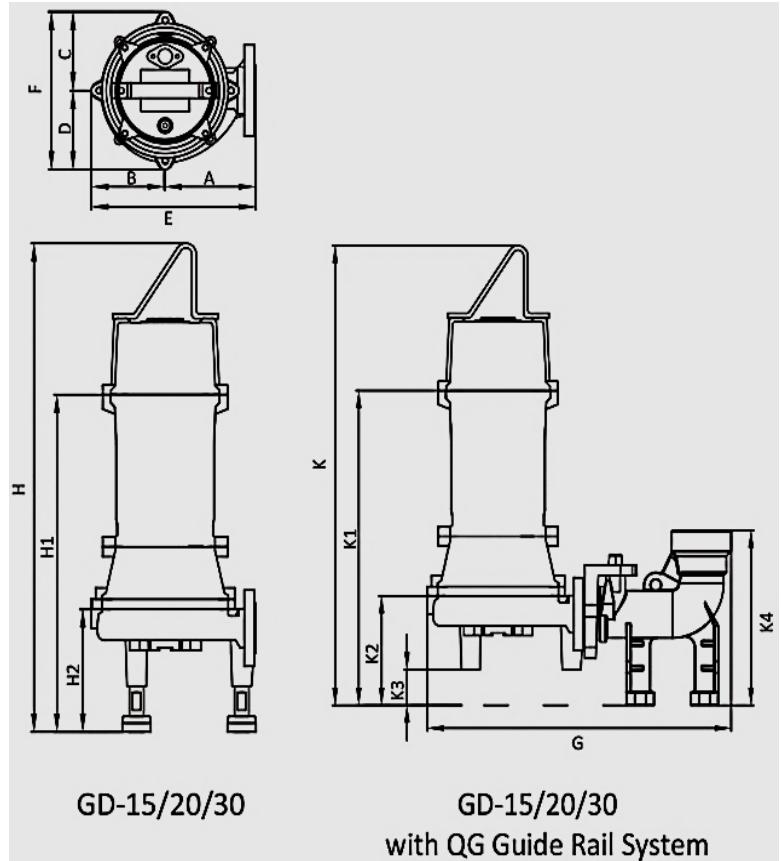
Type:	*		
Stationary Part	SUS 410		
Rotating Part	SUS 410		
Elastomer	FC 200		

Pump and Motor specification optional

With Booster System	None		
With Complack	None		
Special Material	None		
Specail Voltage	None		

Protection system required

External Flout switch	NONE		
Minimum Starter	Starter SWT		



Weight : 30 Kg		Applicant: Waste Water Treatment Sewage Water Drainage of Waste Water from Individual Residences Apartment Buildings Recreational	Dimention in	
Standard Approve			mm	
	UL	Developments Motels Transferring Waste Water School Federal State and Local Parks to Transfer Various Waste Water	A	128
			B	102
	CE	and Sewage Pulp and Paper Factory Residential Houses	C	103
			D	103
			E	230
			F	206
			G	445
			H	640
			H1	445
			H2	160
			K	630
			K1	432
			K2	150
			K3	50
			K4	240