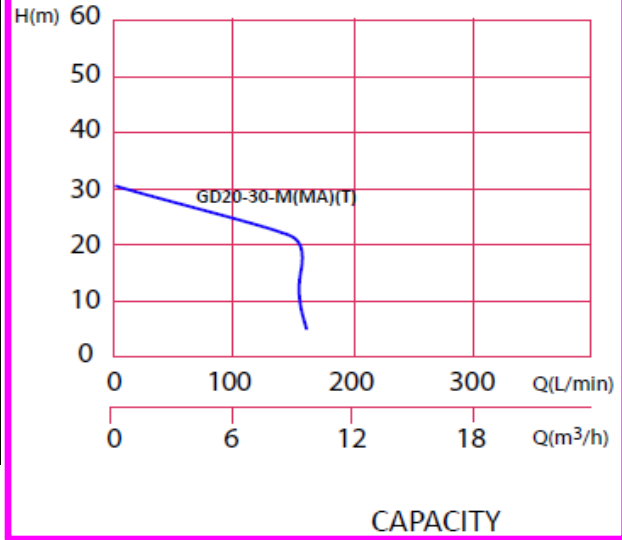


#### Pump Data

Brand :	Gol Pump	
Model :	GD-20-30-T	
Head Rate :	73 FEET	Flow Rate: 30 GPM
Head Max:	100 FEET	Flow Max: 42 GPM
Head Min:	10 FEET	Flow Min : 5 GPM
RPM :	3450	
Normal Power P1 :	2 HP	
Fluid:	Water	
Fluid Temperature:	at about 25 °C	
Density:	water 997 kg/m <sup>3</sup>	
Fluid Viscosity:	8.90 × 10 <sup>-4</sup> Pa·s	
With Float switch	NONE	
Self Priming	Submersible	
Delivery size	1.4" NPT	
Suction size	With Strainer	
Made in :	TAIWAN	



#### Motor Data

Power P2:	*	
Power P1:	1.5 KW	
Phase (PH):	3	
Rate Voltage :	460 V	
Capacitor Need :	*	HF
Ferequency :	60 Hz	
Rated Speed (rpm):	3450 rpm	
Current (A):	1.6 A	
Cos φ :	0.85	
Degree of Protection (IP):	IP 68	
Safety Protection Included:	E	
length of Cable :	10	M
Kind of Plug :	NONE	
Ambient Temp :	40°C = 104°F	

#### Other Pump Data

Impeller Size (mm) :	*	
Pressuer Rating :	PN 16	
Min. Fluid Temp :	10°C = 50°F	
Max. Fluid Temp :	40°C = 104°F	
Ambient Temp :	40°C = 104°F	
Humidity % :	100%	

#### Special Specification

Installation status :	Ver	
Variable frequency :	NONE	
Solid Passage	3	mm

#### Materials

Pump Body :	FC 200	
Support:	FC 200	
Impeller	FC 200	
Mechanical Seal:	SIC/SIC/NBR	
Rubber	SS 41	
Pump Shaft:	SUS 410	
Strainer	FC 200	
outer cover:	FC 200	
Motor:	FC 200	

#### Shaft Seal

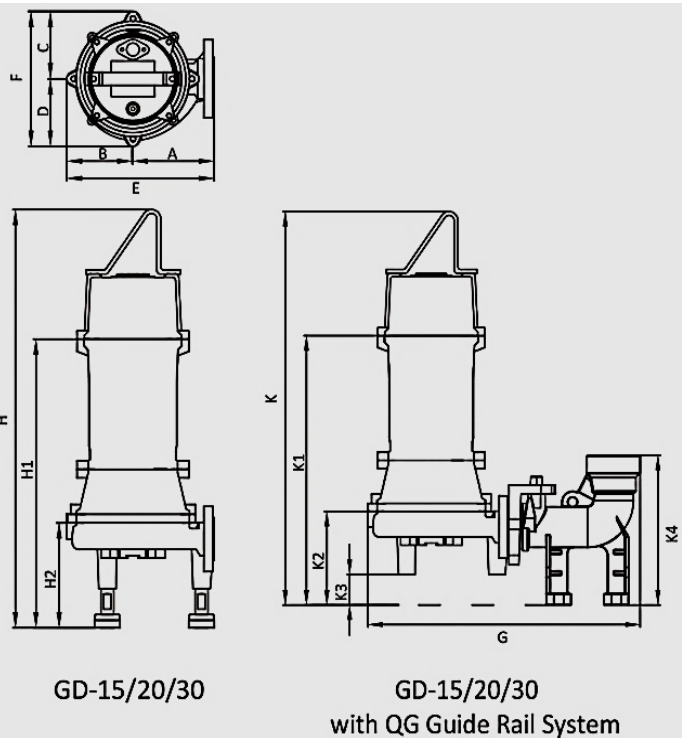
Type:	*	
Stationary Part	SUS 410	
Rotating Part	SUS 410	
Elastomer	FC 200	

#### Pump and Motor specification optional

With Booster System	None	
With Complack	None	
Special Material	None	
Specail Voltage	None	

#### Protection system required

External Flout switch	NONE	
Minimum Starter	Starter SWT	



GD-15/20/30

GD-15/20/30  
with QG Guide Rail System

Weight : 32.8 Kg

Standard Approve



Applicant:

Waste Water Treatment Sewage Water Drainage of Waste Water

from Individual Residences Apartment Buildings Recreational

Developments Motels Transferring Waste Water School Federal

State and Local Parks to Transfer Various Waste Water

and Sewage Pulp and Paper Factory Residential Houses

Dimention in

mm

A	128
B	102
C	103
D	103
E	230
F	206
G	445
H	640
H1	445
H2	160
K	630
K1	432
K2	150
K3	50
K4	240