

# JNCB 32-200NA

## 1800RPM

## 3600RPM

Inlet pressure	psi 1.42
Fluid	Water, pure
Operating temperature t A	°F 68
Density at t A	lb/ft³ 62.32
Kin. viscosity at t A	ft²/s 1.082E-5

Inlet pressure	psi 1.42
Fluid	Water, pure
Operating temperature t A	°F 68
Density at t A	lb/ft³ 62.32
Kin. viscosity at t A	ft²/s 1.082E-5

Pump			
Pump name	NCB 32-200 N A		
Size	50/32/200		
Design			
Speed rpm	1800	No of stages	1
Impeller type			
Flow	Nominal	US g.p.m.	
	Max-	US g.p.m.	88.1
	Min-	US g.p.m.	13.2
Head	Nominal	ft	
	Max-	ft	76.8
	Min-	ft	47.5
Head H(Q=0)	ft 77.2		
NPSH 3%	ft		
Max. working pressure	psi 33.4		
Shaft power	hp		
Efficiency	%		
Max absorbed power	hp 2.8881		

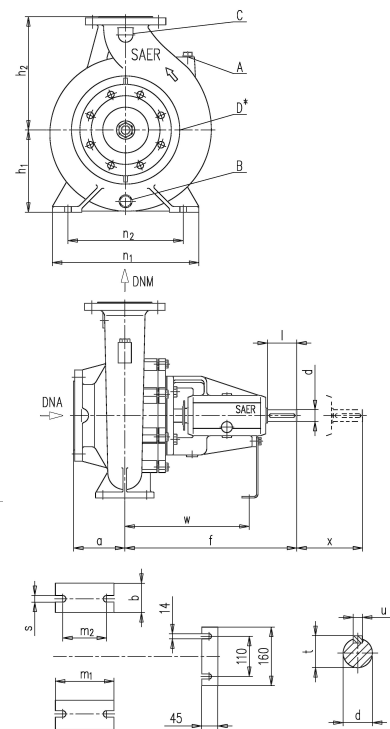
Pump			
Pump name	JNCB 32-200 N A		
Size	50/32/200		
Design			
Speed rpm	3600	No of stages	1
Impeller type			
Flow	Nominal	US g.p.m.	
	Max-	US g.p.m.	176
	Min-	US g.p.m.	35.2
Head	Nominal	ft	
	Max-	ft	310
	Min-	ft	220
Head H(Q=0)	ft 315		
NPSH 3%	ft		
Max. working pressure	psi 137		
Shaft power	hp		
Efficiency	%		
Max absorbed power	hp 20.28		

### Materials Pump

Shaft	Stainless steel AISI 431 (1.4057)
Impeller	Cast iron EN-GJL-250
Pump body	Cast iron EN-GJL-250
Seal disc	Cast iron EN-GJL-250
Gasket	Natural fiber
Mech. seal EN 12756	
Seal face	Carbon graphite resin impreg.
Seat	Alumina Oxide
Rubber elements	EPDM Rubber
Spring and metal bellows	Stainless steel AISI 316

### Dimensions in inch

A	3/8"	n2	7 1/2
a	3 1/8	s	9/16
B	3/8"	t	1 1/16
b	1 5/16	u	5/16
C	1/4"	w	10 1/4
d k6	15/16	x	3 15/16
D	1/4"		
DNA	DN 50		
DNM	DN 32		
f	14 3/16		
h1	6 5/16		
h2	7 1/16		
l	1 15/16		
m1	3 15/16		
m2	2 3/4		
n1	9 7/16		



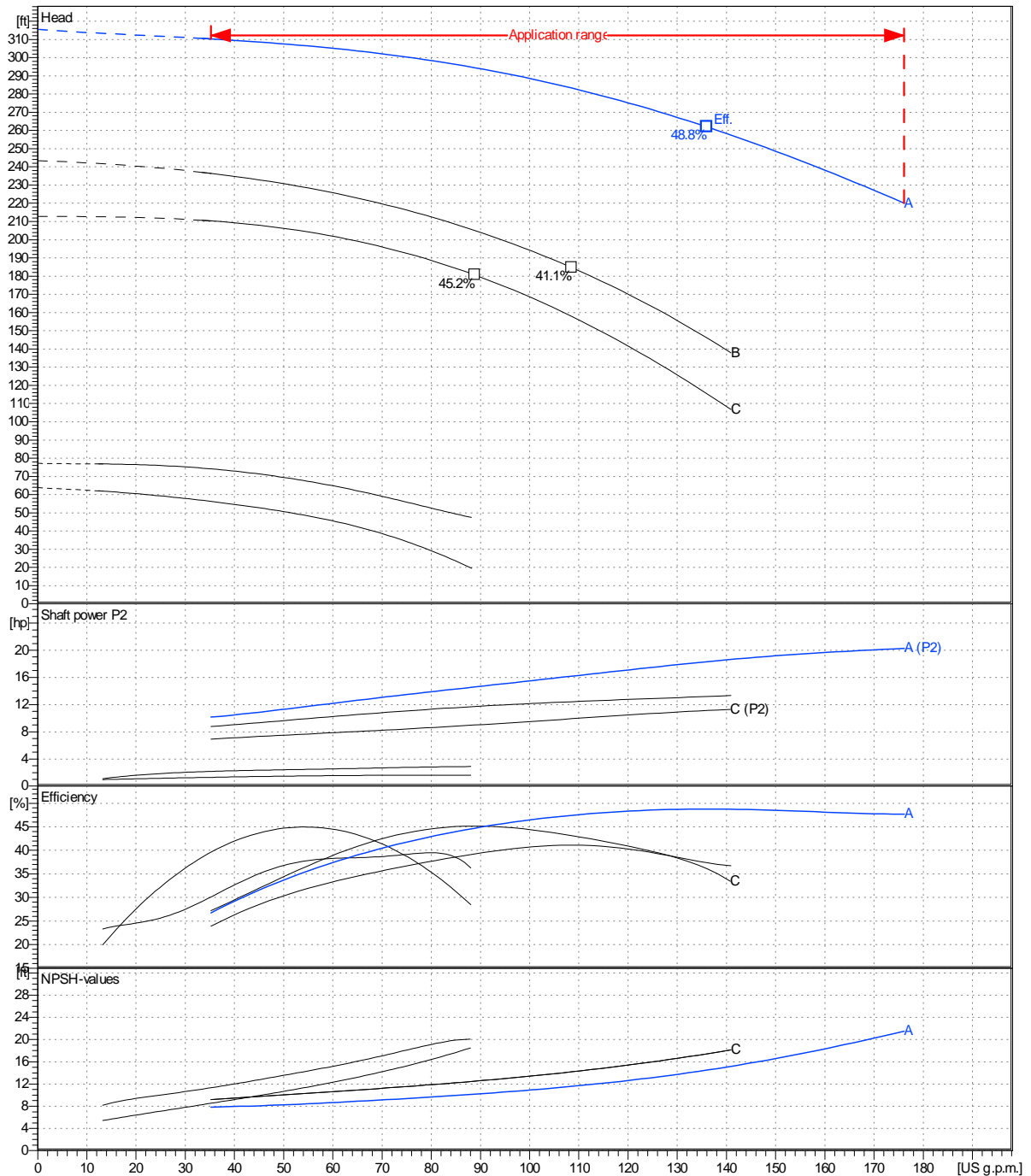
C	3/16	C	4
D	5/2	D	6 1/2
DN	1 1/4	DN	1 5/16
K	3 5/16	K	4 5/16
n°	3/16	n°	3/16
øn	3/4	øn	3/4

# JNCB 32-200NA (3600 RPM)

Data specification									Impeller type	
									Impeller construction	Closed
									Sense of rotation	
									Clockwise from the drive end	
									Outlet width	
									DN 32	
Flow			Head		Shaft power P2			Speed	rpm	3600
Min.	Max.	$\eta$ Max.	H(Q=0)	$\eta$ Max.	P2(Q=0)	Max.	$\eta$ Max.	Frequency	Hz	60
US g.p.m.	US g.p.m.	US g.p.m.	ft	ft	hp	hp	hp			
35.2	176	136	315	262		20.3	18.3			

Performance data based to: Water, pure [100%]; 68°F; 62.3lb/ft³; 1.08E-5ft²/s

UNI EN ISO 9906:2012 - Grade 3B

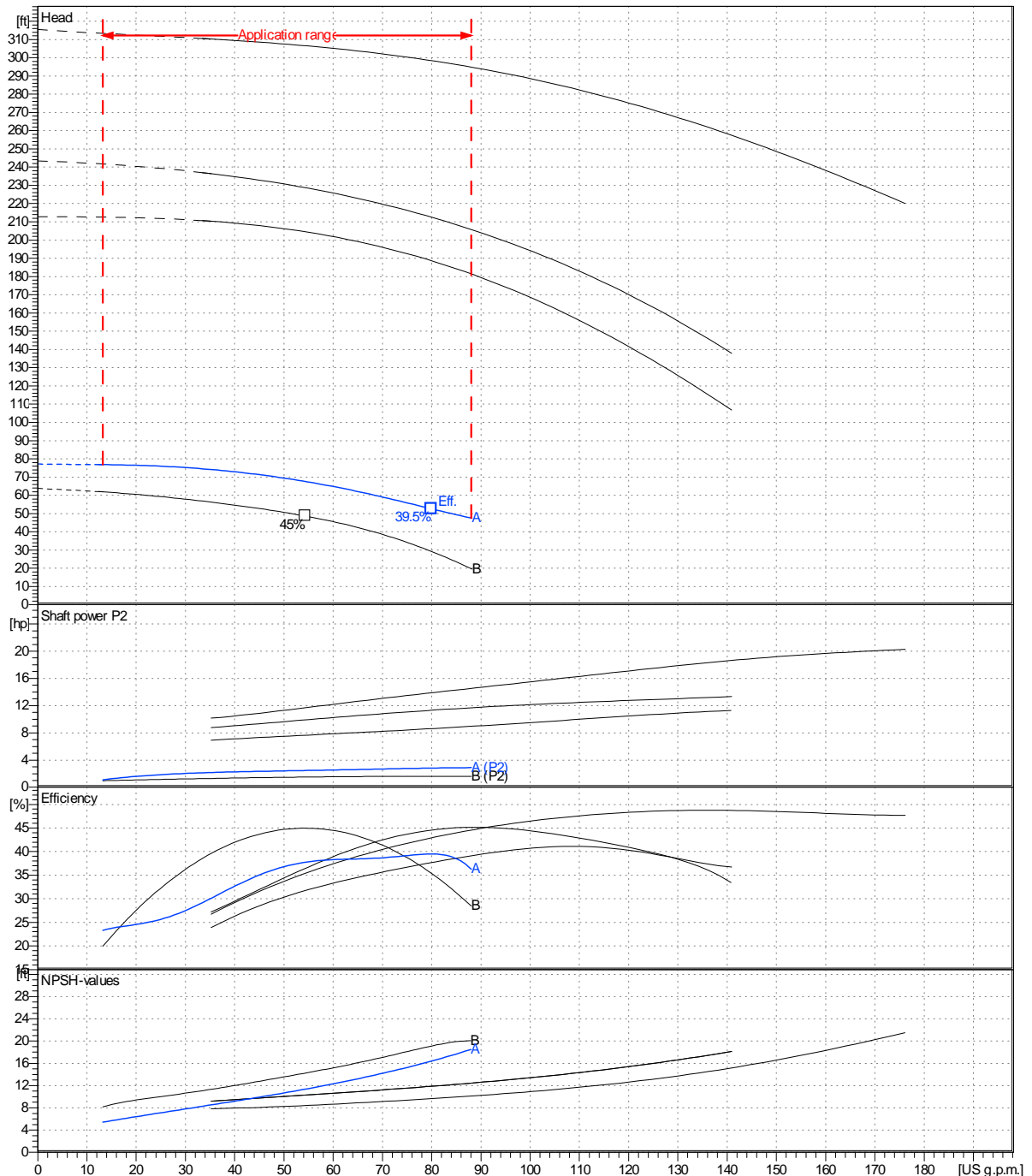


# JNCB 32-200NA (1800 RPM)

Data specification									Impeller type	
									Impeller construction	Closed
									Sense of rotation	
									Clockwise from the drive end	
									Outlet width	
									DN 32	
Flow			Head		Shaft power P2			Speed	rpm	1800
Min.	Max.	$\eta$ Max.	H(Q=0)	$\eta$ Max.	P2(Q=0)	Max.	$\eta$ Max.	Frequency	Hz	
US g.p.m.	US g.p.m.	US g.p.m.	ft	ft	hp	hp	hp			
13.2	88.1	79.9	77.2	52.6		2.89	2.82			

Performance data based to: Water, pure [100%]; 68°F; 62.3lb/ft³; 1.08E-5ft²/s

UNI EN ISO 9906:2012 - Grade 3B



--	--	--	--