

Pump Data	
Brand :	JMS
Model :	JUMPER 140 M
Flow Rate:	44 GPM
Head Rate: 58 FEET	
Head Max: 78 FEET	Flow Min : 5 GPM
Flow Max: 97 GPM	Head Min: 6.6 FEET
RPM :	3450 rpm
Normal Power P1 :	2.5 HP
Fluid:	Water
Fluid Temperature:	at about 25 °C.
Density:	water 1.0 kg/Dm ³
Fluid Viscosity:	8.90 × 10 ⁻⁴ Pa·s
With Float switch	NONE
Kind of Workiny:	Submersible
Delivery size	1 1/2 " NPT
Suction size	With Strainer
Made in :	ITALY

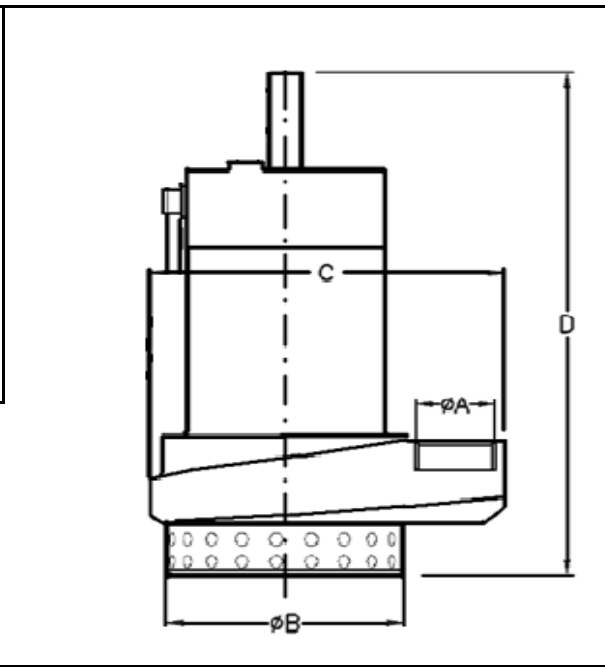
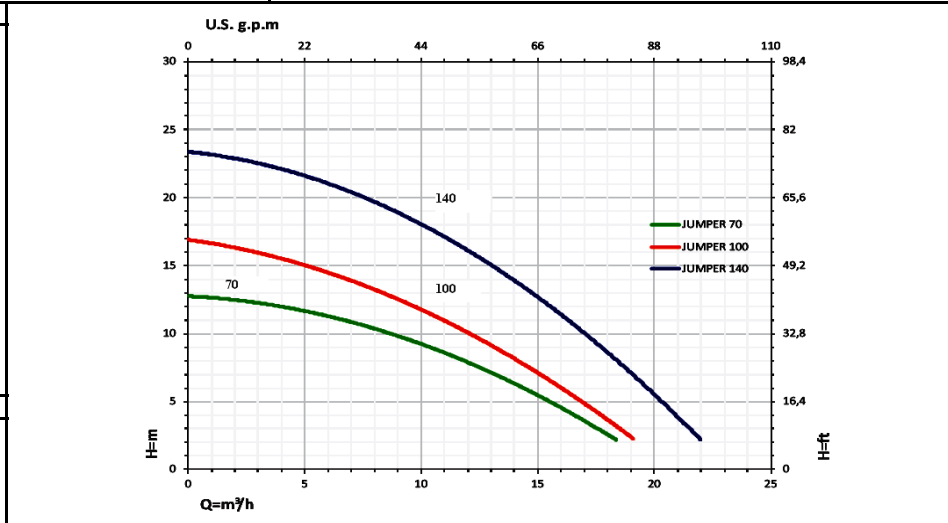
Motor Data	
Power P2:	
Power P1:	2 KW
Phase (PH):	3
Rate Voltage :	230 V
Capacitor Need :	* μF
Ferequency :	60 Hz
Rated Speed (rpm):	3450 rpm
Max. I (A):	6 A
Cos φ :	0.85
Degree of Protection (IP):	IP 68
Safety Protection Included:	F
length of Cable :	10 M
Kind of Plug :	NONE
Ambient Temp :	40°C = 104°F

Other Pump Data	
Impeller Size (mm) :	*
Pressuer Rating :	PN 16
Min. Fluid Temp :	10°C = 50°F
Max. Fluid Temp :	35°C = 95°F
Ambient Temp :	40°C = 104°F
Humidity % :	100%

Special Specification	
Installation status :	Vertical
Variable frequency :	NONE
Solid Passage	8 mm

Materials	
Pump Body :	CAST IRON
Support:	Stainless steel
Impeller	Stainless steel
Mechanical Seal:	Silicon Carbide
Rubber	NBR
Pump Shaft:	Stainless steel
Strainer	Stainless steel
outer cover:	CAST IRON
Motor Case:	Stainless steel

Shaft Seal	
Type:	*
Stationary Part	Silicon Carbide
Rotating Part	Ceramic
Elastomer	NBR
Pump and Motor specification optional	
With Booster System	None
With Complack	None
Special Material	None
Specail Voltage	None
Protection system required	
External Flout switch	NONE
Minimum Starter	Starter SWT



Weight :	19 Kg
Standard Approve	CE

Applicant:	
Cellar Garage And Basement Pump Out	
Swimming Pools All Sorts of Vats Tanks	
And Reservoir Pump Out Pit and Catch	
Tank Water Pump out Rain Seepage Sump	
Garden and Vegetable Garden Irrigation	

Dimention in	
	mm
A	1 1/2 "
B	190
C	213.5
D	300