

**Pump Data**

Brand : JMS  
 Model : JUMPER 300 M  
 Flow Rate: 44 GPM  
 Head Rate: 49 FEET  
 Head Max: 62 FEET  
 Flow Max: 112 GPM  
 RPM : 3450 rpm  
 Normal Power P1 : 4.5 HP  
 Fluid: Water  
 Fluid Temperature: at about 25 °C.  
 Density: water 1.0 kg/Dm³  
 Fluid Viscosity: 8.90 × 10-4 Pa·s  
 With Float switch: NONE  
 Kind of Working: Submersible  
 Delivery size: 2"  
 Suction size: With Strainer  
 Made in : ITALY

**Motor Data**

Power P2:  
 Power P1: 3.4 KW  
 Phase (PH): 1  
 Rate Voltage : 115 V  
 Capacitor Need : 50 µF  
 Ferequency : 60 Hz  
 Rated Speed (rpm): 3450 rpm  
 Max. I (A): 15 A  
 Cos φ : 0.95  
 Degree of Protection (IP): IP 68  
 Safety Protection Included: F  
 length of Cable : 10 M  
 Kind of Plug : NONE  
 Ambient Temp : 40°C = 104°F

**Other Pump Data**

Impeller Size (mm) : \*  
 Pressuer Rating : PN 16  
 Min. Fluid Temp : 10°C = 50°F  
 Max. Fluid Temp : 35°C = 95°F  
 Ambient Temp : 40°C = 104°F  
 Humidity % : 100%

**Special Specification**

Installation status : Vertical  
 Variable frequency : NONE  
 Solid Passage 8 mm

**Materials**

Pump Body : CAST IRON  
 Support: Stainless steel  
 Impeller: CAST IRON  
 Mechanical Seal: Silicon Carbide  
 Rubber: NBR  
 Pump Shaft: Stainless steel  
 Strainer: Stainless steel  
 outer cover: CAST IRON  
 Motor Case: Stainless steel

**Shaft Seal**

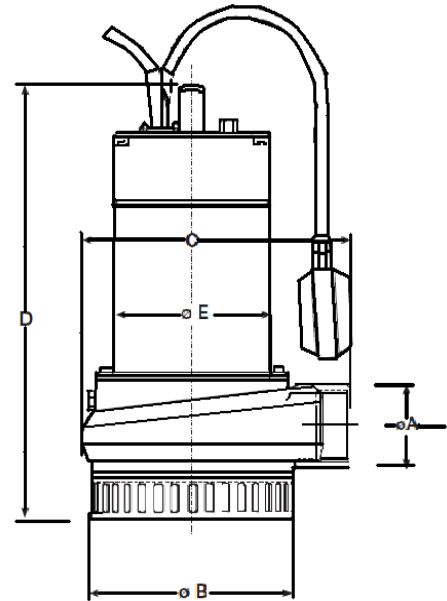
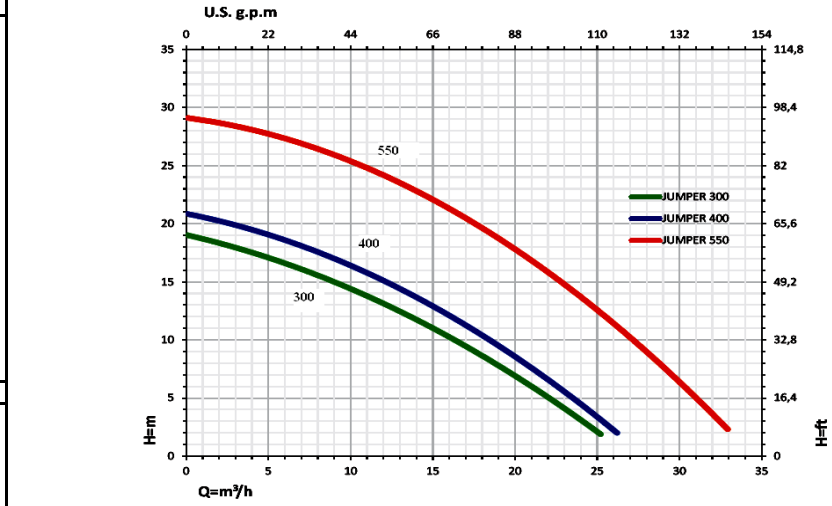
Type: \*  
 Stationary Part: Silicon Carbide  
 Rotating Part: Silicon Carbide  
 Elastomer: NBR

**Pump and Motor specification optional**

With Booster System: None  
 With Complack: None  
 Special Material: None  
 Specail Voltage: None

**Protection system required**

External Flout switch: YES  
 Minimum Starter: Starter SWT



Weight : 30 Kg

Standard Approve



**Applicant:**

- Cellar Garage And Basement Pump Out
- Swimming Pools All Sorts of Vats Tanks
- And Reservoir Pump Out Pit and Catch
- Tank Water Pump out Rain Seepage Pump
- Garden and Vegetable Garden Irrigation

**Dimention in**

	mm
A	2"
B	190
C	250
D	378
E	148