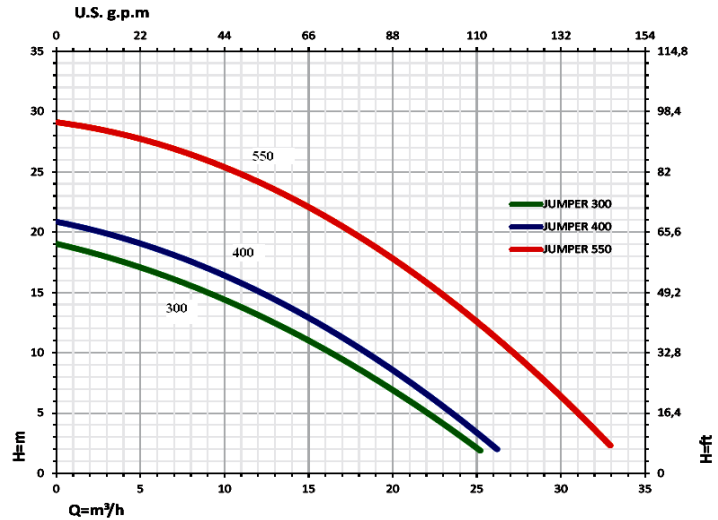


Pump Data	
Brand :	JMS
Model :	JUMPER 550 T
Flow Rate:	44 GPM
Head Rate: 82 FEET	
Head Max: 96 FEET	Flow Min: 5 GPM
Flow Max: 146 GPM	Head Min: 6.6 FEET
RPM :	3450 rpm
Normal Power P1 :	6.6 HP
Fluid:	Water
Fluid Temperature:	at about 25 °C.
Density:	water 1.0 kg/Dm ³
Fluid Viscosity:	8.90 × 10 ⁻⁴ Pa·s
With Float switch	NONE
Kind of Working:	Submersible
Delivery size	2" NPT
Suction size	With Strainer
Made in :	ITALY

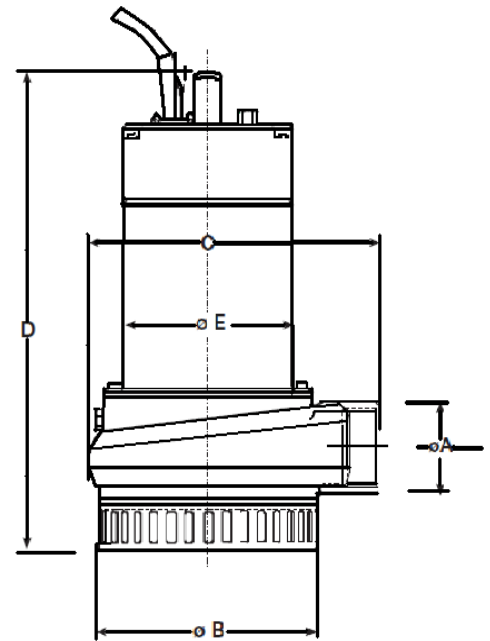


Motor Data	
Power P2:	
Power P1:	5 KW
Phase (PH):	3
Rate Voltage :	230 V
Capacitor Need :	* μF
Ferequency :	60 Hz
Rated Speed (rpm):	3450 rpm
Max. I (A):	14.5 A
Cos φ :	0.85
Degree of Protection (IP):	IP 68
Safety Protection Included:	F
length of Cable :	10 M
Kind of Plug :	NONE
Ambient Temp :	40°C = 104°F

Other Pump Data	
Impeller Size (mm) :	*
Pressuer Rating :	PN 16
Min. Fluid Temp :	10°C = 50°F
Max. Fluid Temp :	35°C = 95°F
Ambient Temp :	40°C = 104°F
Humidity % :	100%

Special Specification	
Installation status :	Vertical
Variable frequency :	NONE
Solid Passage	8 mm

Materials	
Pump Body :	CAST IRON
Support:	Stainless steel
Impeller	CAST IRON
Mechanical Seal:	Silicon Carbide
Rubber	NBR
Pump Shaft:	Stainless steel
Strainer	Stainless steel
outer cover:	CAST IRON
Motor Case:	Stainless steel



Shaft Seal	
Type:	*
Stationary Part	Silicon Carbide
Rotating Part	Silicon Carbide
Elastomer	NBR

Weight : 30 Kg
Standard Approve
CE

Applicant:
Cellar Garage And Basement Pump Out
Swimming Pools All Sorts of Vats Tanks
And Reservoir Pump Out Pit and Catch
Tank Water Pump out Rain Seepage Sump
Garden and Vegetable Garden Irrigation

Dimention in	
	mm
A	2"
B	190
C	250
D	378
E	148

Pump and Motor specification optional	
With Booster System	None
With Complack	None
Special Material	None
Specail Voltage	None
Protection system required	
External Flout switch	NONE
Minimum Starter	Starter SWT