

**Pump Data**

Brand : JMS  
 Model : JURBO - L 200  
 Flow Rate: 44 GPM  
 Head Rate: 49.2 FEET  
 Head Max: 66 FEET  
 Flow Max: 112 GPM  
 RPM : 3450 rpm  
 Normal Power P1 : 3.5 HP  
 Fluid: Water  
 Fluid Temperature: at about 25 °C.  
 Density: water 1.0 kg/Dm³  
 Fluid Viscosity: 8.90 x 10<sup>-4</sup> Pa-s  
 With Float switch: NONE  
 Kind of Workiny: Submersible  
 Delivery size: 2" NPT  
 Suction size: With Strainer  
 Made in : ITALY

**Motor Data**

Power P2: 2.5 KW  
 Power P1: 3  
 Phase (PH): 230 V  
 Rate Voltage : \* µF  
 Capacitor Need : \*  
 Ferequency : 60 Hz  
 Rated Speed (rpm): 3450 rpm  
 Max. I (A): 7 A  
 Cos φ : 0.85  
 Degree of Protection (IP): IP 68  
 Safety Protection Included: F  
 length of Cable : 10 M  
 Kind of Plug : NONE  
 Ambient Temp : 40°C = 104°F

**Other Pump Data**

Impeller Size (mm) : \*  
 Pressuer Rating : PN 16  
 Min. Fluid Temp : 10°C = 50°F  
 Max. Fluid Temp : 35°C = 95°F  
 Ambient Temp : 40°C = 104°F  
 Humidity % : 100%

**Special Specification**

Installation status : Vertical  
 Variable frequency : NONE  
 Solid Passage \*

**Materials**

Pump Body : Cast Iron  
 Support: Stainless steel  
 Impeller: Cast Iron  
 Mechanical Seal: Silicon Carbide  
 Rubber: NBR  
 Pump Shaft: Stainless steel  
 Strainer: Stainless steel  
 outer cover: Cast Iron  
 Motor Case: Cast Iron

**Shaft Seal**

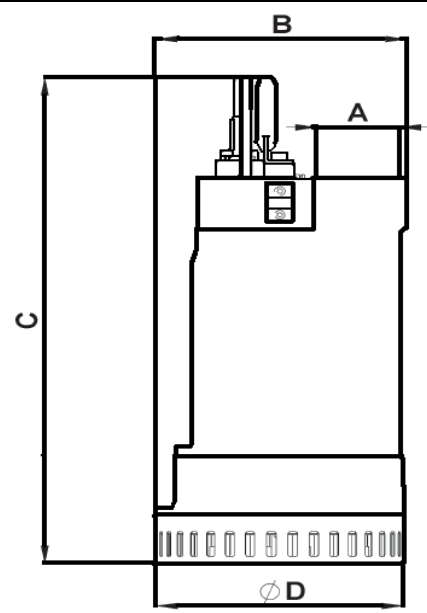
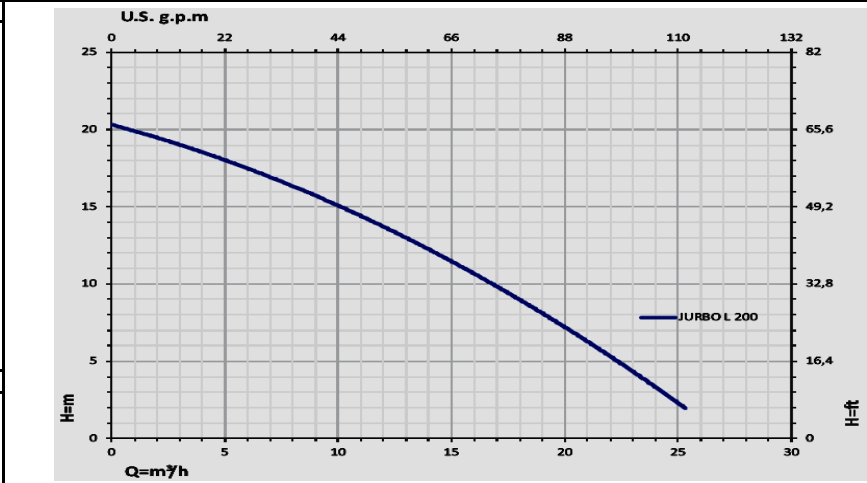
Type: \*  
 Stationary Part: Stainless steel  
 Rotating Part: Stainless steel  
 Elastomer: NBR

**Pump and Motor specification optional**

With Booster System: None  
 With Complack: None  
 Special Material: None  
 Speciaal Voltage: None

**Protection system required**

External Flout switch: NONE  
 Minimum Starter: Starter SWT



Weight : 32.5 Kg  
 Standard Approve



**Applicant:**

Cellar, Garage and Basement Pump out Particularly Suited to  
 Construction Work Sites Swimming Pools  
 All Sorts of Vats Tanks and Reservoir Pump out  
 Rain Seepage Sump Pit and Catch Tank Water Pump  
 out, Garden and Vegetable-Garden Irrigation

**Dimention in**

	mm
A	2" NPT
B	204
C	472
D	202