

Date: _____ Page: _____

Pump Data

Brand : JMS
Model : JUTTER 300 T
Flow Rate: 26.4 GPM
Head Rate: 53 FEET
Head Max: 73 FEET Flow Min: 5 GPM
Flow Max: 70.4 GPM Head Min: 6.5 FEET
RPM : 3450 rpm
Normal Power P1 : 4.5 HP
Fluid: Water
Fluid Temperature: at about 25 °C.
Density: water 1.0 kg/Dm³
Fluid Viscosity: 8.90 × 10⁻⁴ Pa·s
With Float switch: NONE
Kind of Working: Submersible
Delivery size: 2" NPT
Suction size: With Strainer
Made in : ITALY

Motor Data

Power P2:
Power P1: 3.3 KW
Phase (PH): 3
Rate Voltage : 230 V
Capacitor Need : * µF
Frequency : 60 Hz
Rated Speed (rpm): 3450 rpm
Max. I (A): 9.8 A
Cos φ : 0.85
Degree of Protection (IP): IP 68
Safety Protection Included: F
length of Cable : 10 M
Kind of Plug : NONE
Ambient Temp : 40°C = 104°F

Other Pump Data

Impeller Size (mm) : *
Pressuer Rating : PN 16
Min. Fluid Temp : 10°C = 50°F
Max. Fluid Temp : 35°C = 95°F
Ambient Temp : 40°C = 104°F
Humidity % : 100%

Special Specification

Installation status : Vertical
Variable frequency : NONE
Solid Passage : *

Materials

Pump Body : Cast Iron
Support: Stainless steel
Impeller: Cast Iron
Mechanical Seal: Silicon/Carbide
Rubber: NBR
Pump Shaft: Stainless steel
Strainer: Stainless steel
outer cover: Stainless steel
Motor Case: Stainless steel

Shaft Seal

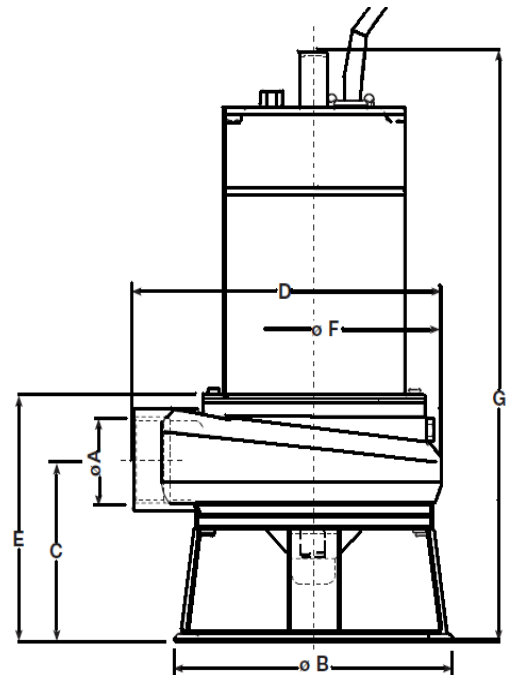
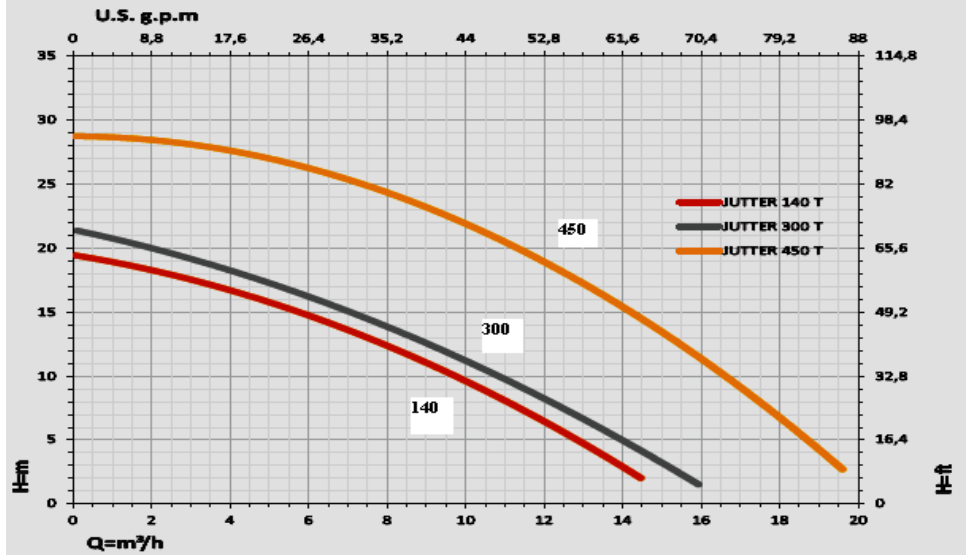
Type: *
Stationary Part: Stainless steel
Rotating Part: Stainless steel
Elastomer: NBR

Pump and Motor specification optional

With Booster System: None
With Complack: None
Special Material: None
Specail Voltage: None

Protection system required

External Flout switch: NONE
Minimum Starter: Starter SWT



Weight : 28 Kg

Standard Approve



Applicant:

Grinding and Pump Out of Lavatory
Foul Water with Floating Solids and
Fibre suspensoids Decantation Pit, Sewage pit
and Slurry Collection Pit Pump Out Domestic and
Industrial Lavatory / Black Water Handling Systems

Dimension in

Dimension	mm
A	2" NPT
B	225
C	131.5
D	260
E	165
F	215
G	425