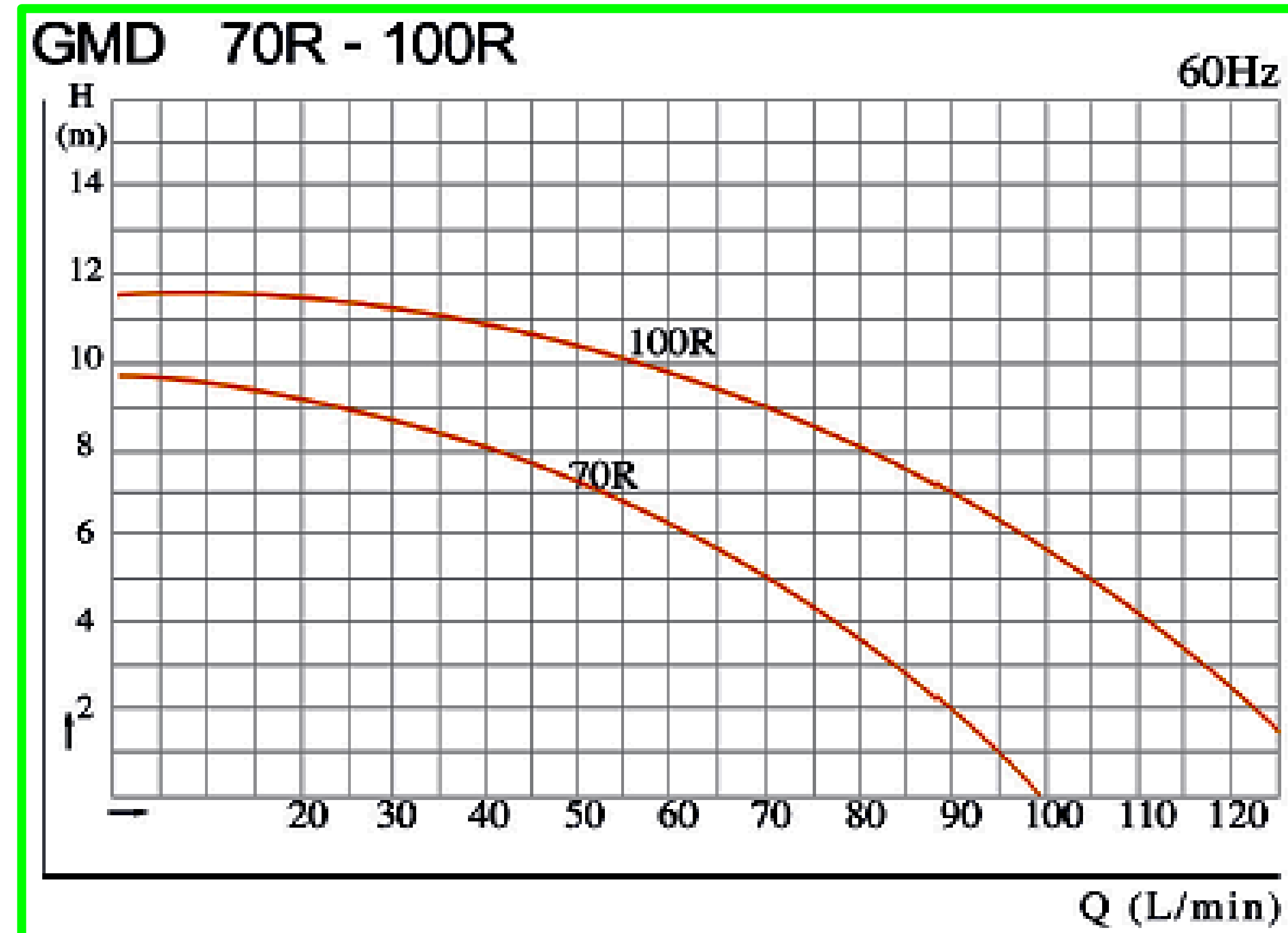


Pump Data

Brand :	GOL PUMPS		
Model :	GMD - 100 R		
Head Rate:	31 FEET	Flow Rate:	14.6 GPM
Head Min:	8.3 FEET	Flow Max:	31.7 GPM
Head Max:	36.7 FEET	Flow Min:	9.77 GPM
RPM :	3450 rpm		
Normal Power P2 :	0.34 HP		
Fluid:	Water		
Fluid Temperture:	at about 32 °F - 176 °F		
Density:	water 1.2 kg/Dm ³ = 2.65 lb		
Fluid Viscosity:	8.90 × 10 ⁻⁴ Pa·s		
Kind of Workiny:	Horizontal		
Delivery size:	26 mm 1" (hose)		
Suction size:	26 mm 1" (hose)		
Made in :	CHINA		



Motor Data

Power P2:	0.260 Kw	
Power P1:	0.365 Kw	
Phase (PH):	1	
Rate Voltage :	115 V	
Capacitor Need :	6	μF/V
Ferequency :	60 Hz	
Rated Speed (rpm):	3450 rpm	
Current (A):	1.3 A	
Cos φ :	0.95	
Degree of Protection (IP):	IP 55	
Safety Protection Degree:	E	
Safety Protection Included:	Thermal Protector	
length of Cable :	2 M	
Kind of Plug :	NONE	
Ambient Temp :	40°C = 104°F	



Other Pump Data

Pressuer Rating :	PN 6
Min. Fluid Temp :	0°C = 32°F
Max. Fluid Temp :	80°C = 176°F
Ambient Temp :	40°C = 104°F
Liquid Density:	1.2 kg/Dm ³ = 2.65 lb

Special Specification

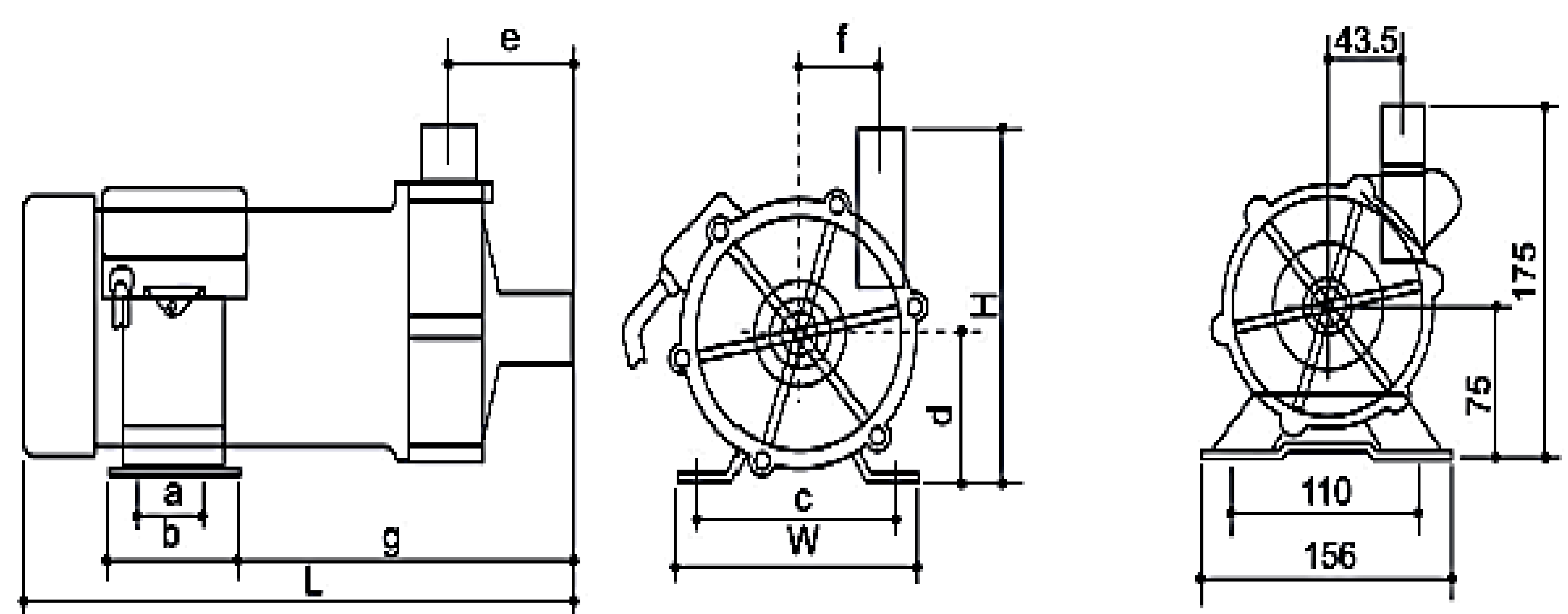
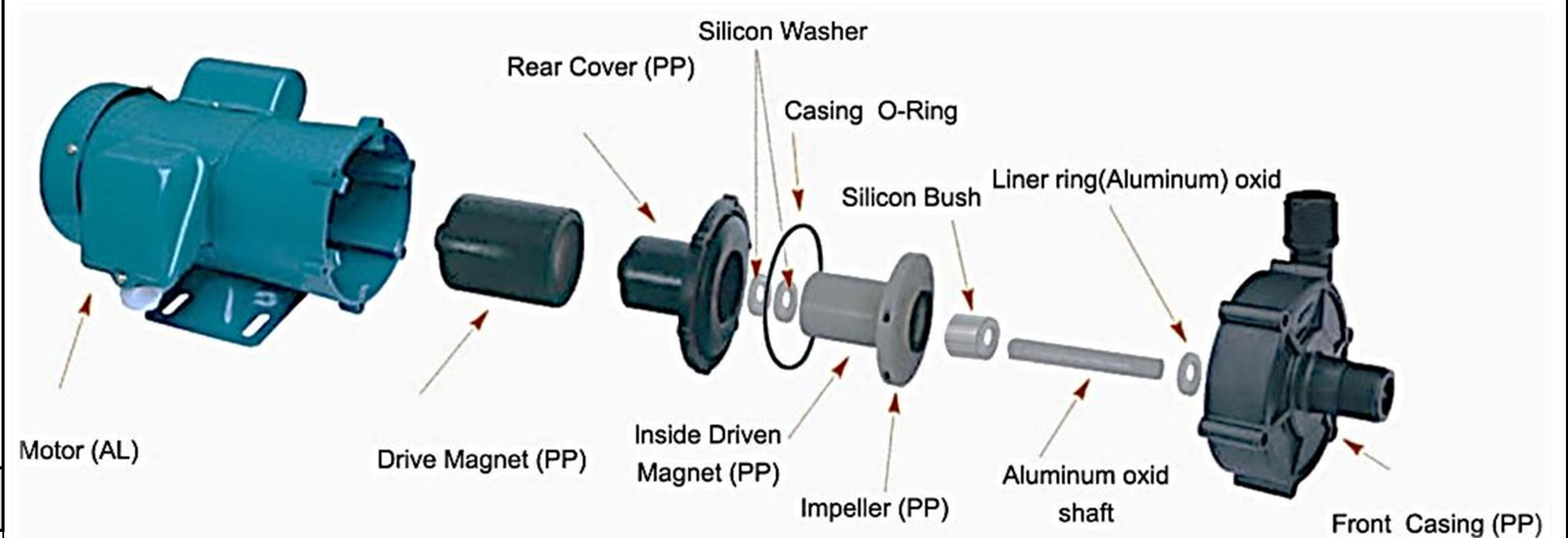
Installation status :	Horizontal
Variable frequency :	NONE
Solid Passage:	*

Materials

Pump Casing :	PP
Rear Cover:	PP
Impeller:	PP
O-rings :	FXM
Rotation Bushings:	Silicon Carbide
Stationary Bushings:	Aluminum Oxid
Outer cover:	PP
Motor Case:	Aluminum

Weight : 7.8 Kg

Standard Approve :



Applicant :

Corrosive Acids, Alkalis, Solvents, Brines,

Plating Solutions, Sterile Solutions, and other

Mildly Corrosive Chemicals and Solutions that are

Compatible with the Pumps Material of Constructin

Dimention

	in	mm
A		70
B		100
C		110
D		75
E		64.8
F		43.5
G		146.8
W		156
H		176
L		321.8

CE



Rev : 2021/02