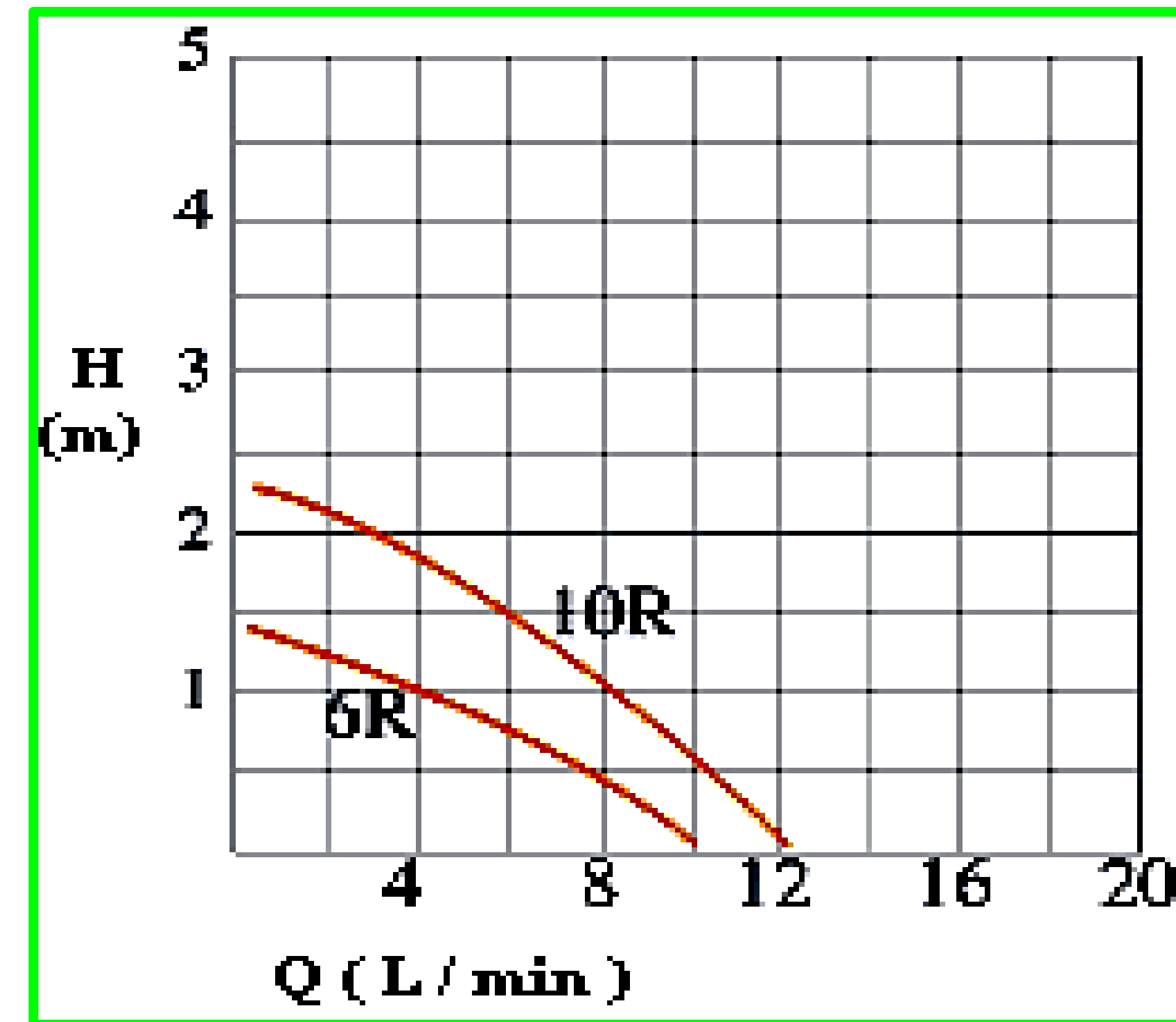


Pump Data

Brand :	GOL PUMPS		
Model :	GMD - 10 R		
Head Rate:	4.9 FEET	Flow Rate:	1.6 GPM
Head Min:	1.7 FEET	Flow Max:	2.6 GPM
Head Max:	6.6 FEET	Flow Min:	0.8 GPM
RPM :	3450 rpm		
Normal Power P2 :	0.018 HP		
Fluid:	Water		
Fluid Temperture:	at about 32 °F - 176 °F		
Density:	water 1.1 kg/Dm ³ = 2.4 lb		
Fluid Viscosity:	8,90 × 10 ⁻⁴ Pa·s		
Kind of Workiny:	Horizontal		
Delivery size:	14 mm 1/2" (hose)		
Suction size:	14 mm 1/2" (hose)		
Made in :	CHINA		



Motor Data

Power P2:	5 W	
Power P1:	35 W	
Phase (PH):	1	
Rate Voltage :	115 V	
Capacitor Need :	0.8	µF/V
Ferequency :	60 Hz	
Rated Speed (rpm):	3200 rpm	
Current (A):	0.18 A	
Cos φ :	0.95	
Degree of Protection (IP):	IP 55	
Safety Protection Degree:	E	
Safety Protection Included:	Thermal Protector	
length of Cable :	2 M	
Kind of Plug :	NONE	
Ambient Temp :	40°C = 104°F	



Other Pump Data

Pressuer Rating :	PN 6
Min. Fluid Temp :	0°C = 32°F
Max. Fluid Temp :	80°C = 176°F
Liquid Density:	1.1 kg/Dm ³ = 2.65 lb
Ambient Temp :	40°C = 104°F
Humidity % :	50%

Special Specification

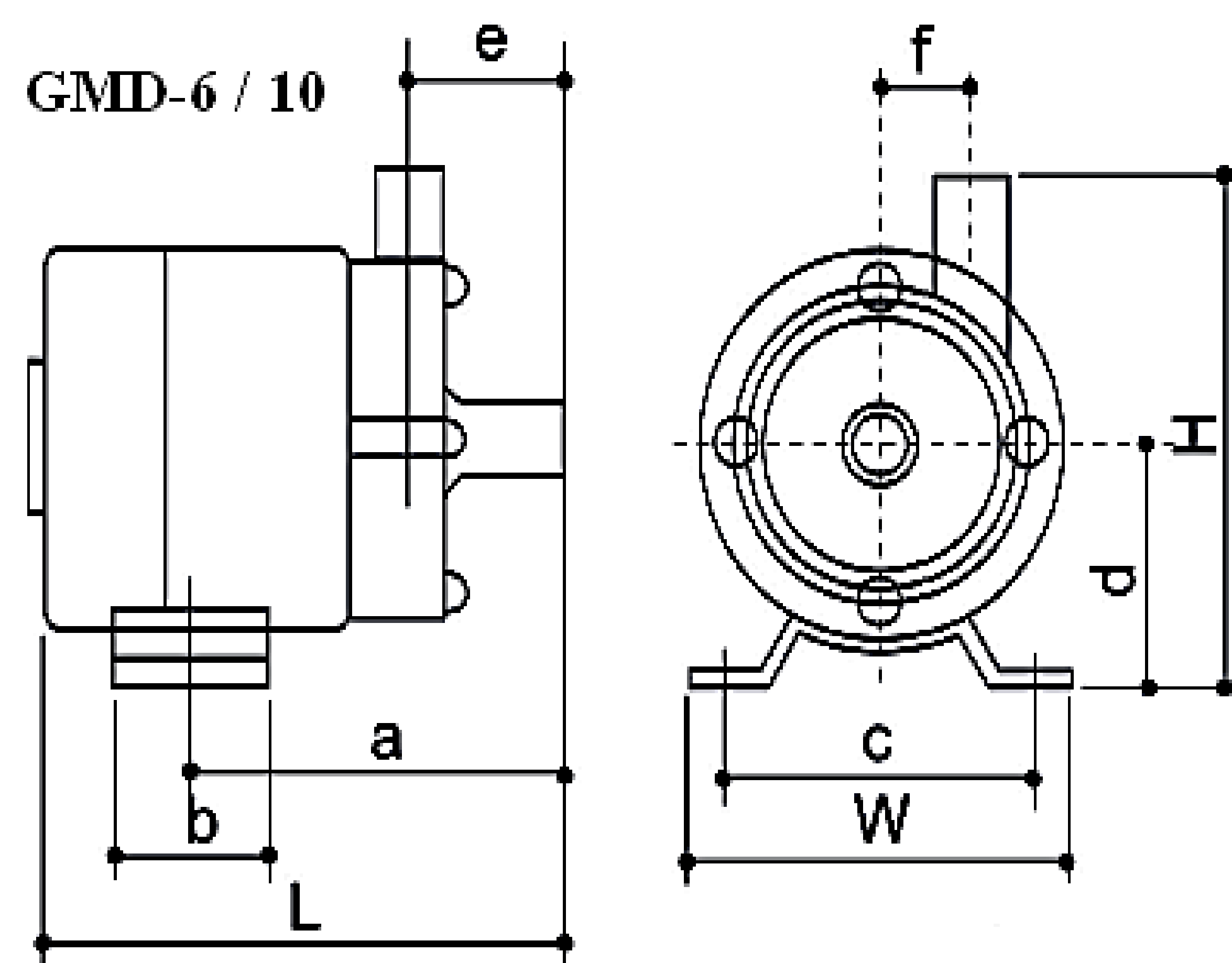
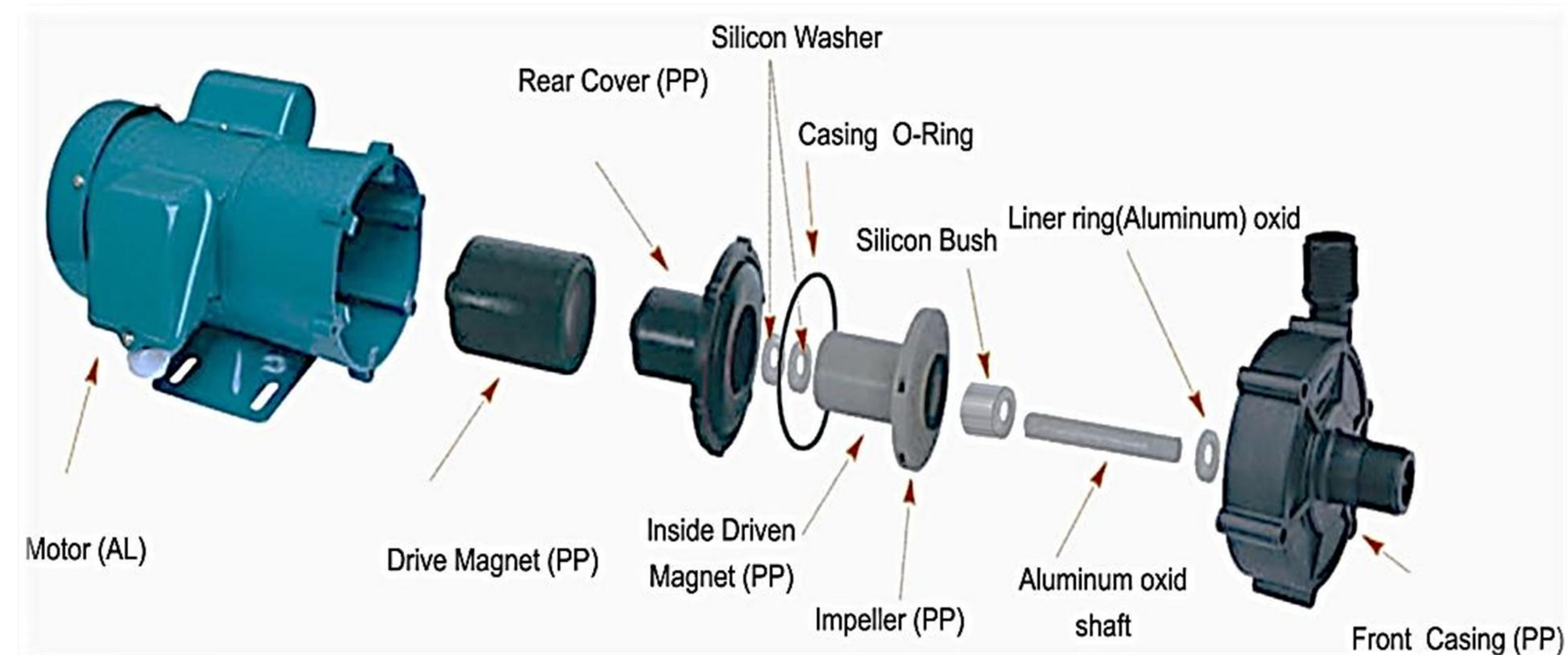
Installation status :	Horizontal
Variable frequency :	NONE
Solid Passage:	*

Materials

Pump Casing :	PP
Rear Cover:	PP
Impeller:	PP
O-rings :	FXM
Rotation Bushings:	Silicon Carbide
Stationary Bushings:	Aluminum Oxid
Outer cover:	PP
Motor Case:	Aluminum

Weight : 1.45 Kg

Standard Approve :



Applicant :

Corrosive Acids, Alkalis, Solvents, Brines,

Plating Solution, Sterile Solutions, and other

Corrosive Chemicals and Solutions that are

Compatible with the Pumps Material of Construction

Dimention

	in	mm
A		73
B		30
C		60
D		45
E		31
F		17
W		74
H		92
L		104

CE



Rev : 2021/02