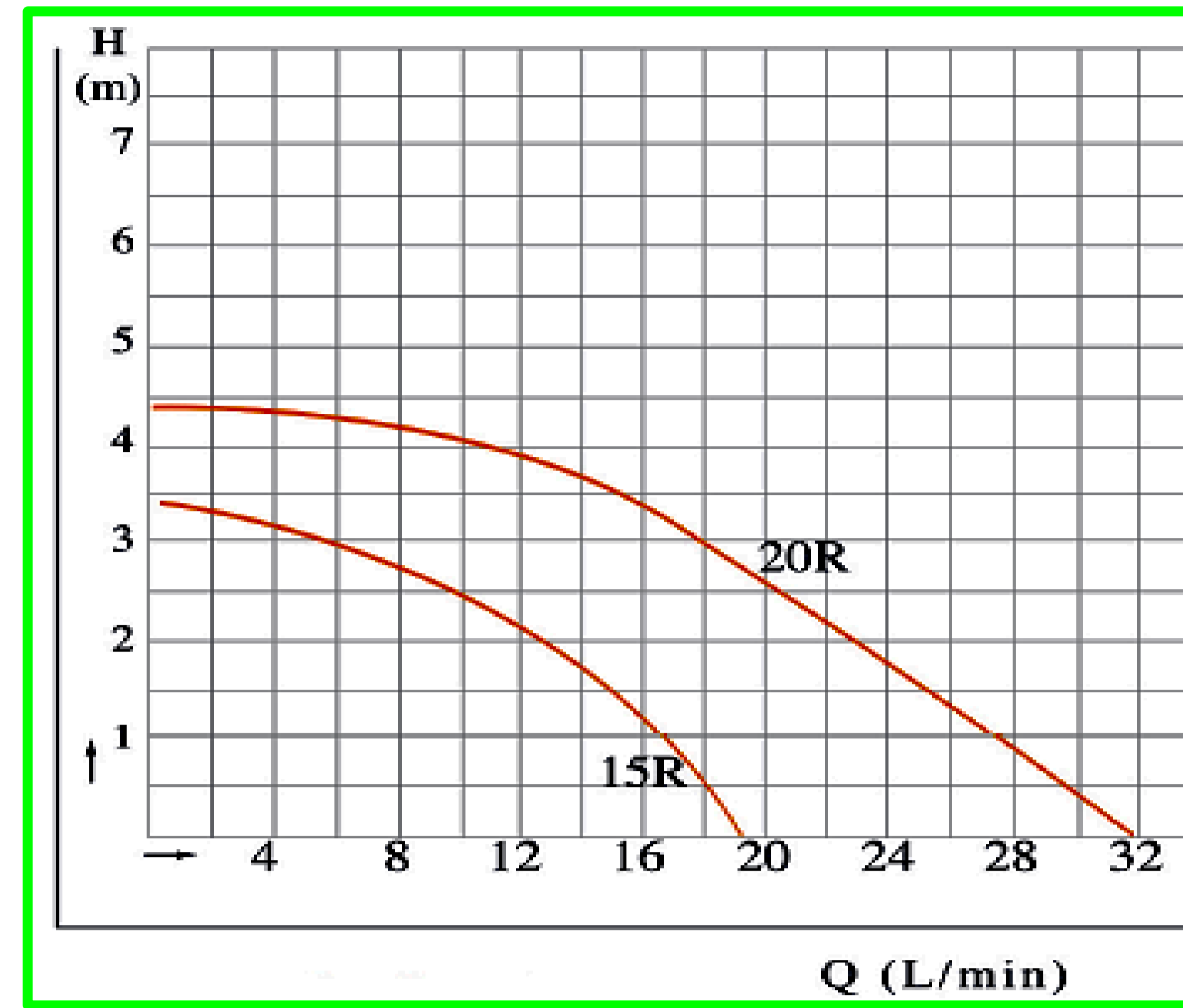


**Pump Data**

Brand :	GOL PUMPS		
Model :	GMD - 15 R		
Head Rate:	8.25 FEET	Flow Rate:	2.6 GPM
Head Min:	4 FEET	Flow Max:	4.23 GPM
Head Max:	10 FEET	Flow Min:	1.58 GPM
RPM :	3450 rpm		
Normal Power P2 :	0.018 HP		
Fluid:	Water		
Fluid Temperture:	at about 32 °F - 176 °F		
Density:	water 1.3 kg/Dm <sup>3</sup> = 2.87 lb		
Fluid Viscosity:	8.90 × 10 <sup>-4</sup> Pa·s		
Kind of Workiny:	Horizontal		
Delivery size:	14 mm 1/2" (hose)		
Suction size:	14 mm 1/2" (hose)		
Made in :	CHINA		



**Motor Data**

Power P2:	10 W
Power P1:	26 W
Phase (PH):	1
Rate Voltage :	115 V
Capacitor Need :	0.6 μF/V
Ferequency :	60 Hz
Rated Speed (rpm):	3450 rpm
Current (A):	0.13 A
Cos φ :	0.95
Degree of Protection (IP):	IP 55
Safety Protection Degree:	E
Safety Protection Included:	Thermal Protector
length of Cable :	2 M
Kind of Plug :	NONE
Ambient Temp :	40°C = 104°F



**Other Pump Data**

Pressuer Rating :	PN 6
Min. Fluid Temp :	0°C = 32°F
Max. Fluid Temp :	80°C = 176°F
Liquid Density:	1.3 kg/Dm <sup>3</sup> = 2.65 lb
Ambient Temp :	40°C = 104°F
Humidity % :	50%

**Special Specification**

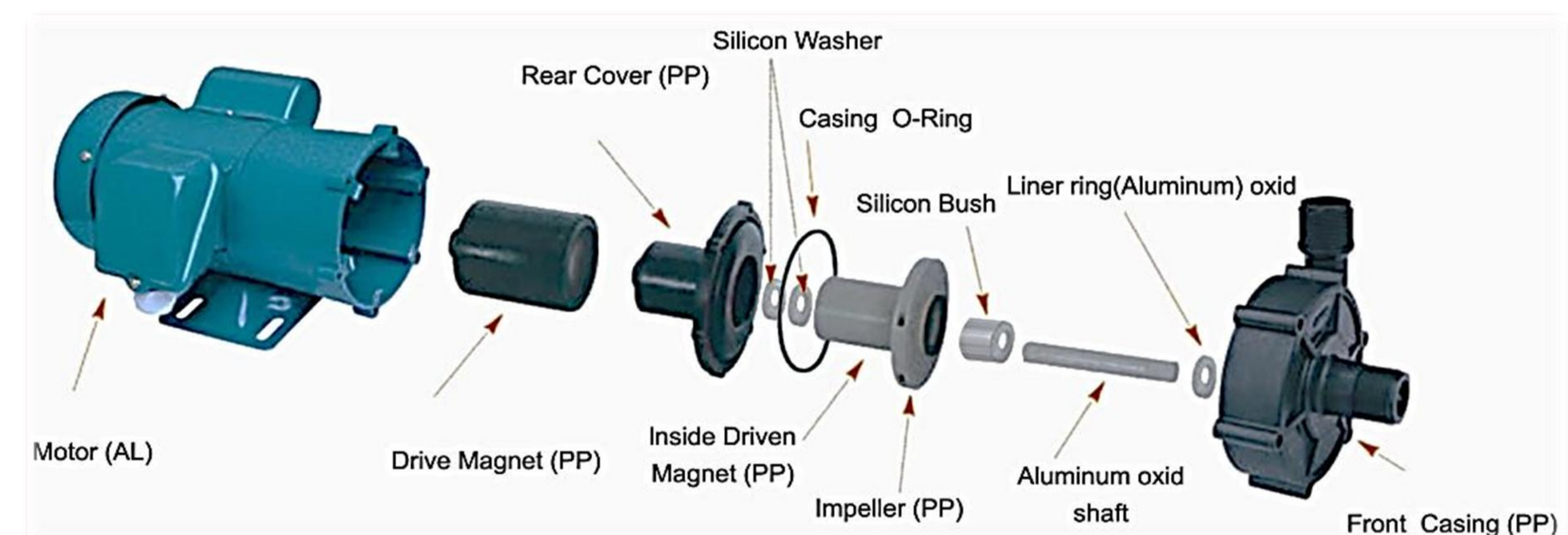
Installation status :	Horizontal
Variable frequency :	NONE
Solid Passage:	*

**Materials**

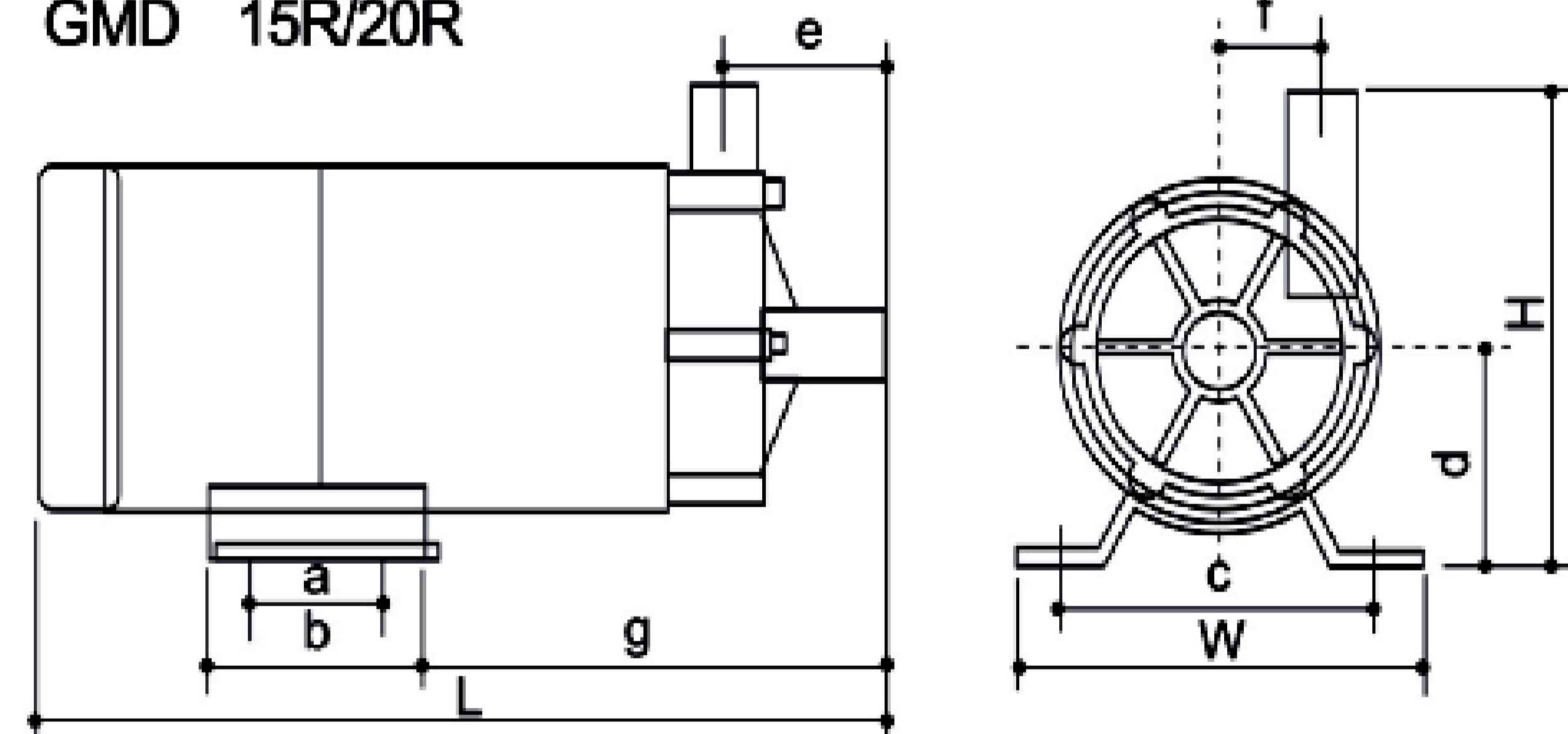
Pump Casing :	PP
Rear Cover:	PP
Impeller:	PP
O-rings :	FXM
Rotation Bushings:	Silicon Carbide
Stationary Bushings:	Aluminum Oxid
Outer cover:	PP
Motor Case:	Aluminum

Weight : 1.75 Kg

Standard Approve :



GMD 15R/20R



**Applicant :**

Corrosive Acids, Alkalis, Solvents, Brines,  
Plating Solutions, Sterile Solutions, and other  
Mildly Corrosive Chemicals and Solutions that are  
Compatible with the Pumps Material of Constructin

**Dimention**

in	mm
A	*
B	50
C	68
D	55
E	39
F	21.5
G	92
W	95
H	109
L	179.5

CE



Rev : 2021/02