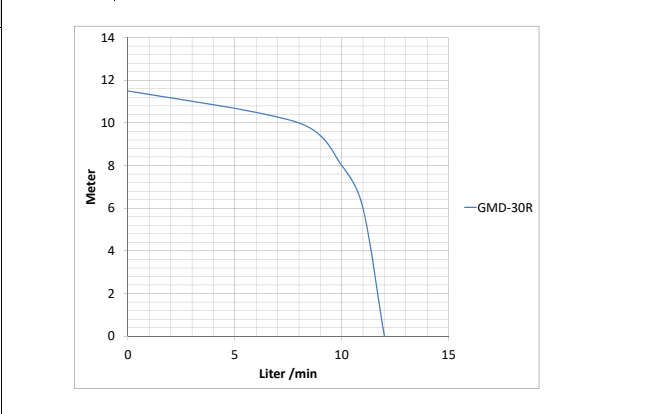


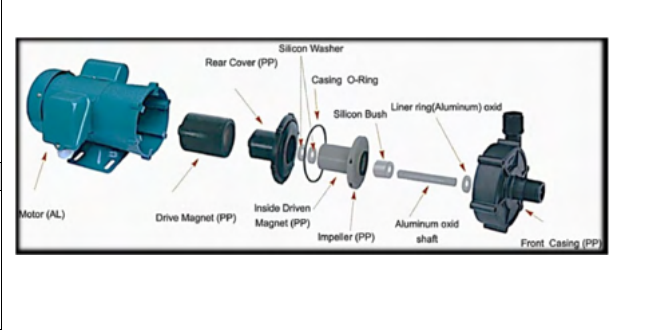
Pump Data			
Brand :	GOL PUMPS		
Model :	GMD - 30R		
Head Rate:	8Ft	Flow Rate:	4.2 GPM
Head Min:	0 FEET	Flow Max:	8.4 GPM
Head Max:	13Ft	Flow Min:	0 GPM
RPM :	3450 rpm		
Normal Power P2 :	0.5hp		
Fluid:	Water		
Fluid Temperature:	at about 32 °F - 176 °F		
Liquid Density:	1.2 kg/Dm ³ = 2.65 lb		
Fluid Viscosity:	8.90 × 10 ⁻⁴ Pa·s		
Kind of Working:	Horizontal		
Delivery size	3/4" (hose)		
Suction size	3/4" (hose)		
Made in :	CHINA		



Motor Data			
Power P2:	0.45 KW		
Phase (PH):	1		
Rate Voltage :	110-120 V		
Capacitor Need :	None		µF/V
Ferequency :	60 Hz		
Rated Speed (rpm):	3450 rpm		
Current (A):	A		
Cos φ :	0.85		
Degree of Protection (IP):	IP 55		
Safety Protection Degree:	E		
length of Cable :	2 M		
Kind of Plug :	NONE		
Ambient Temp :	40°C = 104°F		

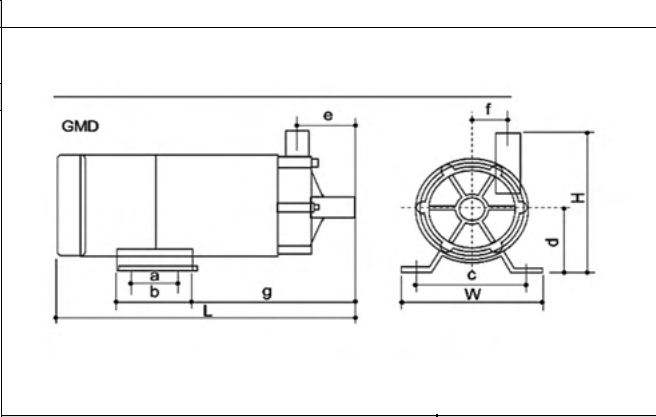


Other Pump Data	
Pressuer Rating :	PN 6
Min. Fluid Temp :	0°C = 32°F
Max. Fluid Temp :	80°C = 176°F
Ambient Temp :	40°C = 104°F
Humidity % :	50%



Special Specification	
Installation status :	Horizontal
Variable frequency :	NONE

Materials	
1- Front Casing:	CFRPP
2- Impellerr:	CFRPP
3- Rear Casing:	CFRPP
4- Magnet Capsule:	PP
5- O-ring	FKM (EPDM)
6- Stationery Bush:	Silicon Carbide
7- Rotation:	Silicon Carbide
8- Rear Thrust:	CFRPP
9- Mouth Ring:	PTFE
10- Linner Ring:	Alumina Oxide
11- Lock Pin:	CFRPP
12- Inner Flange:	CFRPP
13- Outer Flange:	CFRPP



Net Weight : 29.5 Kg	
Standard Approve :	
CE	(C)
REV : 2021/02	

Applicant :

Corrosive Acids, Alkalis, Solvents, Brines,
Plating Solutions, Sterile Solutions, and other
Mildly Corrosive Chemicals and Solutions that are
Compatible with the Pumps Material of Constructin

Dimention	
in	mm
A	40
B	64
C	100
D	60
E	48
F	31
G	137
W	120
H	130
L	248