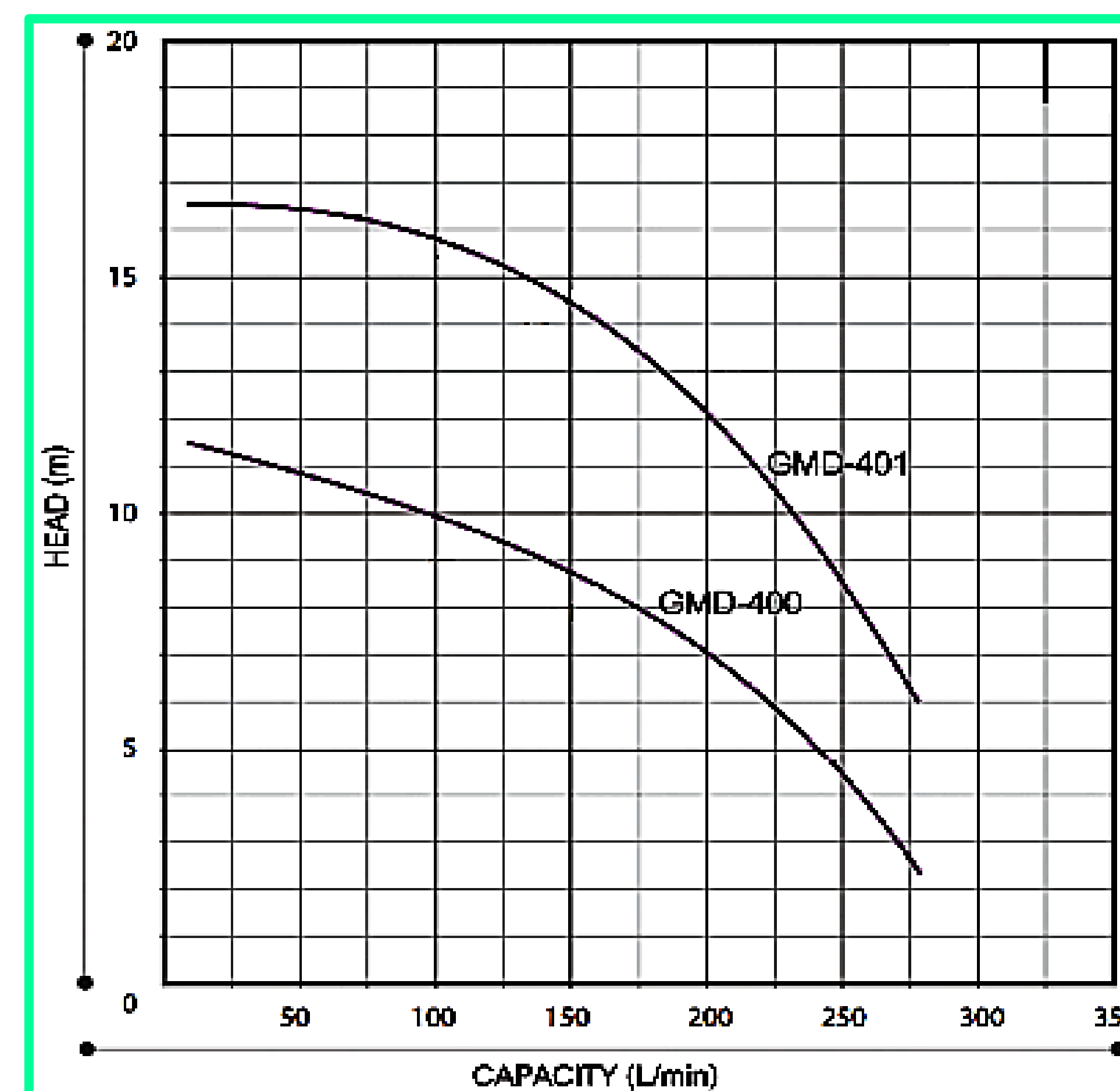


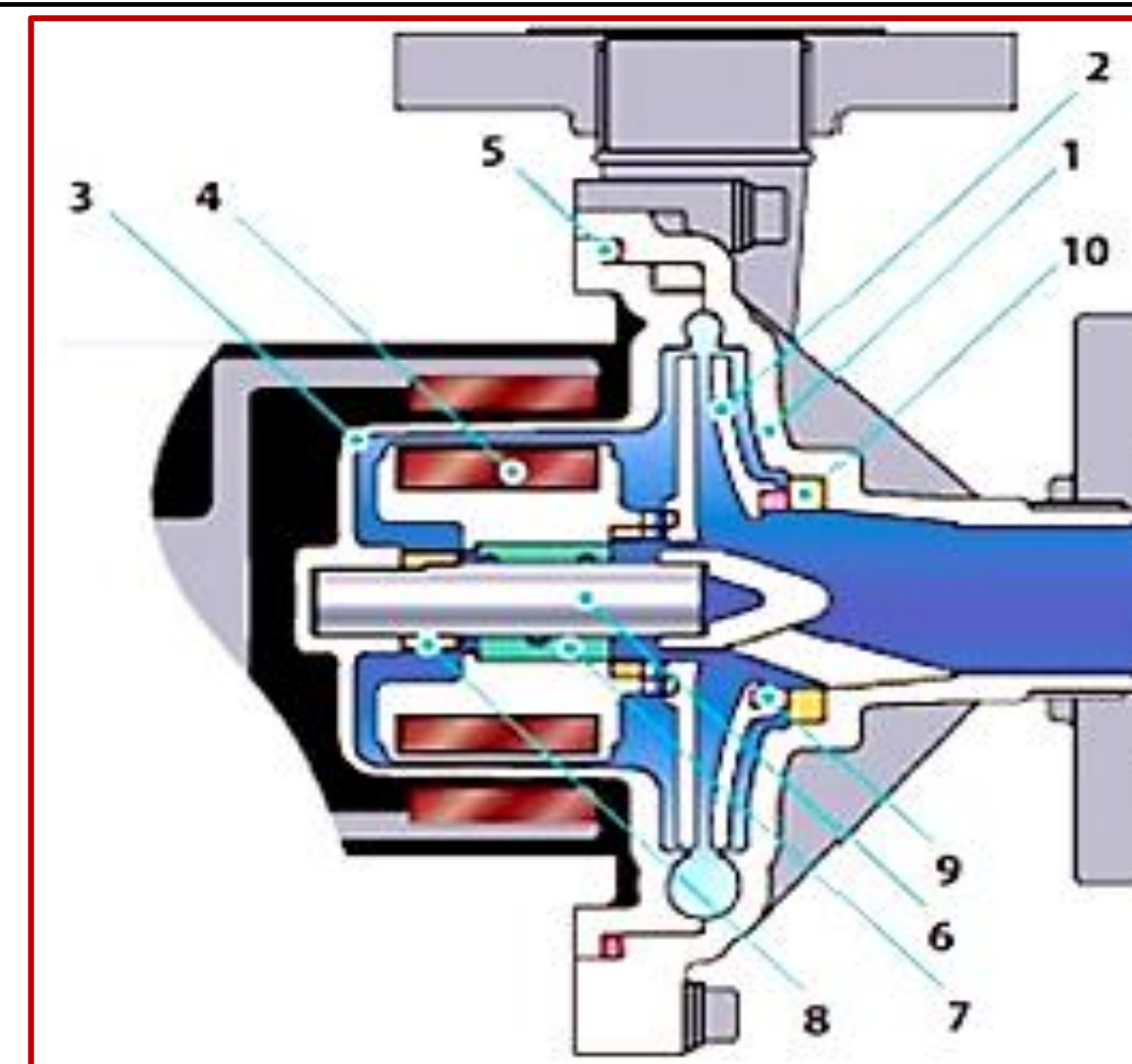
### Pump Data

|                       |                                  |          |  |
|-----------------------|----------------------------------|----------|--|
| Brand :               | GOL PUMPS                        |          |  |
| Model :               | GMD1 - 400                       |          |  |
| Head Rate: 28.21 FEET | Flow Rate:                       | 33.3 GPM |  |
| Head Min: 10 FEET     | Flow Max:                        | 63 GPM   |  |
| Head Max: 36.6 FEET   | Flow Min:                        | 9 GPM    |  |
| RPM :                 | 3450 rpm                         |          |  |
| Normal Power P2 :     | 0.5 HP                           |          |  |
| Fluid:                | Water                            |          |  |
| Fluid Temperture:     | at about 32 °F - 176 °F          |          |  |
| Liquid Density:       | 1.2 kg/Dm <sup>3</sup> = 2.65 lb |          |  |
| Fluid Viscosity:      | 8.90 × 10 <sup>-4</sup> Pa·s     |          |  |
| Kind of Workiny:      | Horizontal                       |          |  |
| Delivery size         | 40 mm 1 1/2" Thread & Flange     |          |  |
| Suction size          | 40 mm 1 1/2" Thread & Flange     |          |  |
| Made in :             | CHINA                            |          |  |



### Motor Data

|                             |                   |      |
|-----------------------------|-------------------|------|
| Power P2:                   | 0.4 KW            |      |
| Phase (PH):                 | 1                 |      |
| Rate Voltage :              | 115 V             |      |
| Capacitor Need :            | *                 | µF/V |
| Ferequency :                | 60 Hz             |      |
| Rated Speed (rpm):          | 3450 rpm          |      |
| Current (A):                | 2.1 A             |      |
| Cos φ :                     | 0.95              |      |
| Degree of Protection (IP):  | IP 55             |      |
| Safety Protection Degree:   | E                 |      |
| Safety Protection Included: | Thermal Protector |      |
| length of Cable :           | 2 M               |      |
| Kind of Plug :              | NONE              |      |
| Ambient Temp :              | 40°C = 104°F      |      |



### Other Pump Data

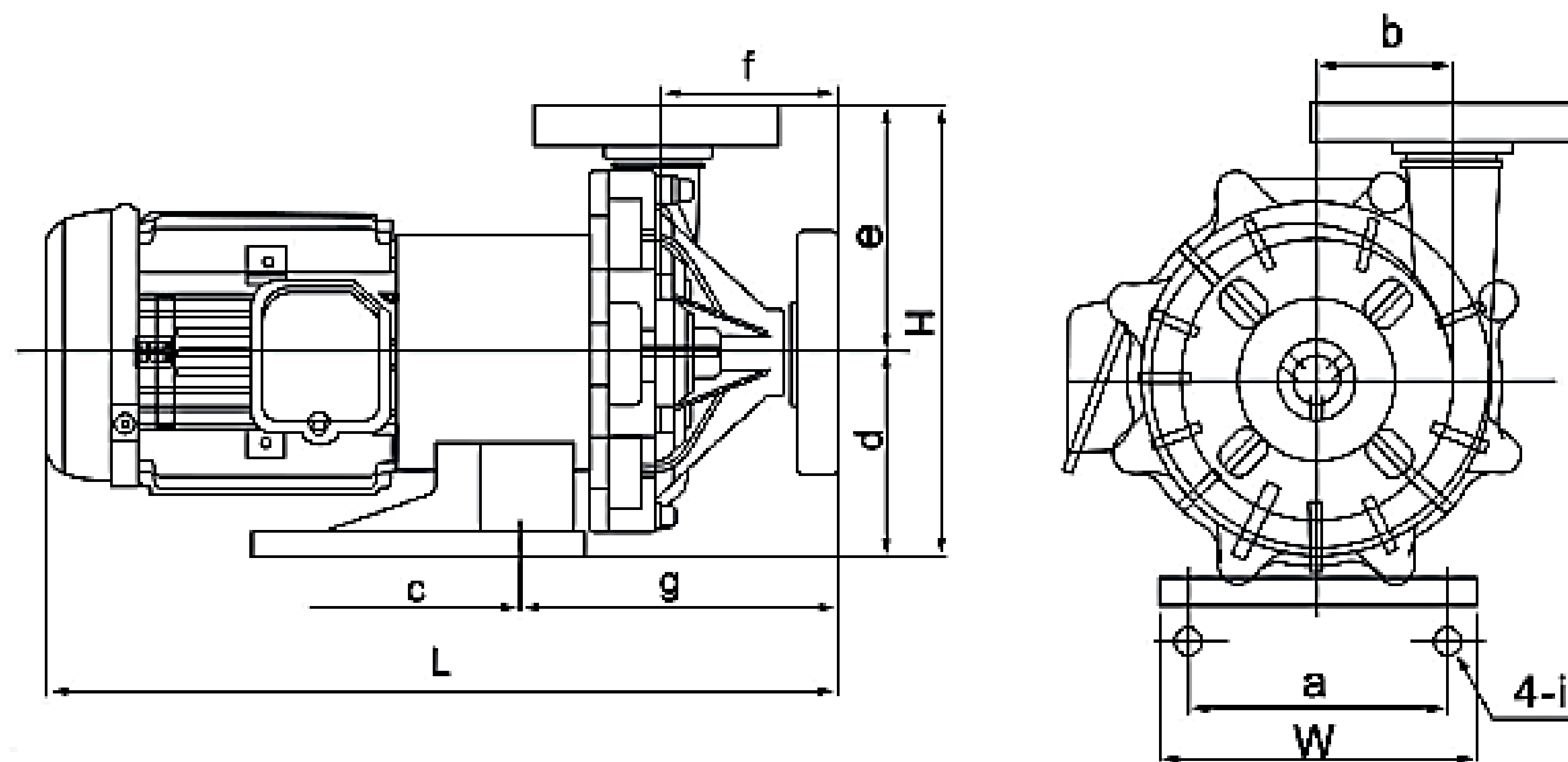
|                   |              |
|-------------------|--------------|
| Pressuer Rating : | PN 6         |
| Min. Fluid Temp : | 0°C = 32°F   |
| Max. Fluid Temp : | 80°C = 176°F |
| Ambient Temp :    | 40°C = 104°F |
| Humidity % :      | 50%          |

### Special Specification

|                       |            |
|-----------------------|------------|
| Installation status : | Horizontal |
| Variable frequency :  | NONE       |

### Materials

|                     |                 |
|---------------------|-----------------|
| 1- Front Casing:    | CFRPP           |
| 2- Impellerr:       | CFRPP           |
| 3- Rear Casing:     | CFRPP           |
| 4- Magnet Capsule:  | PP              |
| 5- O-ring           | FKM ( EPDM )    |
| 6- Stationery Bush: | Silicon Carbide |
| 7- Rotation:        | Silicon Carbide |
| 8- Rear Thrust:     | CFRPP           |
| 9- Mouth Ring:      | PTFE            |
| 10- Liner Ring:     | Alumina Oxide   |
| 11- Lock Pin:       | CFRPP           |
| 12- Inner Flange:   | CFRPP           |
| 13- Outer Flange:   | CFRPP           |



### Applicant :

Corrosive Acids, Alkalis, Solvents, Brines,

Plating Solutions, Sterile Solutions, and other

Mildly Corrosive Chemicals and Solutions that are

Compatible with the Pumps Material of Constructin

### Dimention

|   | in | mm  |
|---|----|-----|
| A |    | 110 |
| B |    | 54  |
| C |    | 98  |
| D |    | 95  |
| E |    | 130 |
| F |    | 87  |
| G |    | 150 |
| I |    | 12  |
| W |    | 140 |
| H |    | 255 |
| L |    | 452 |

Net Weight : 16 Kg

Standard Approve :

CE



REV : 2021/02