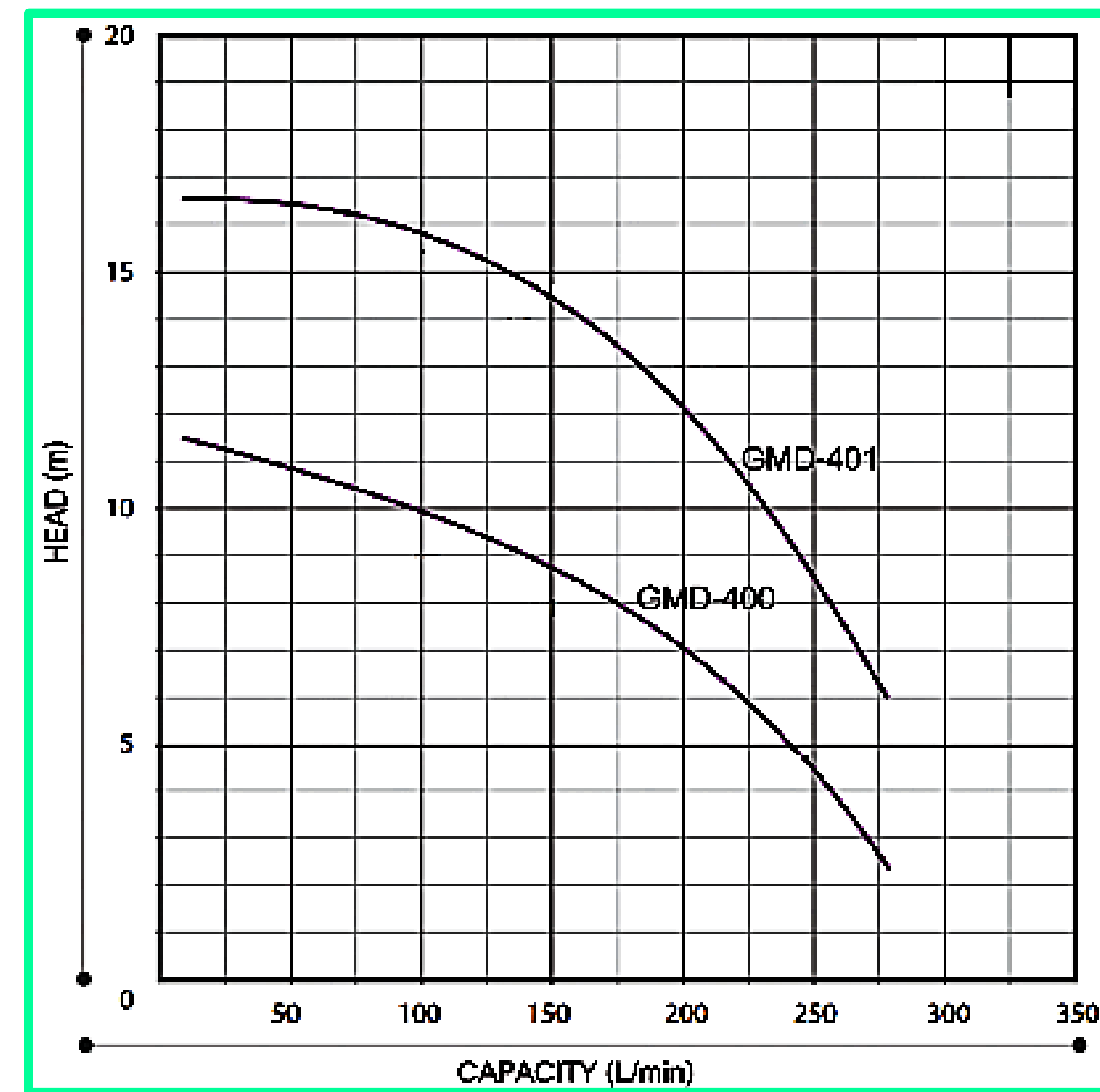


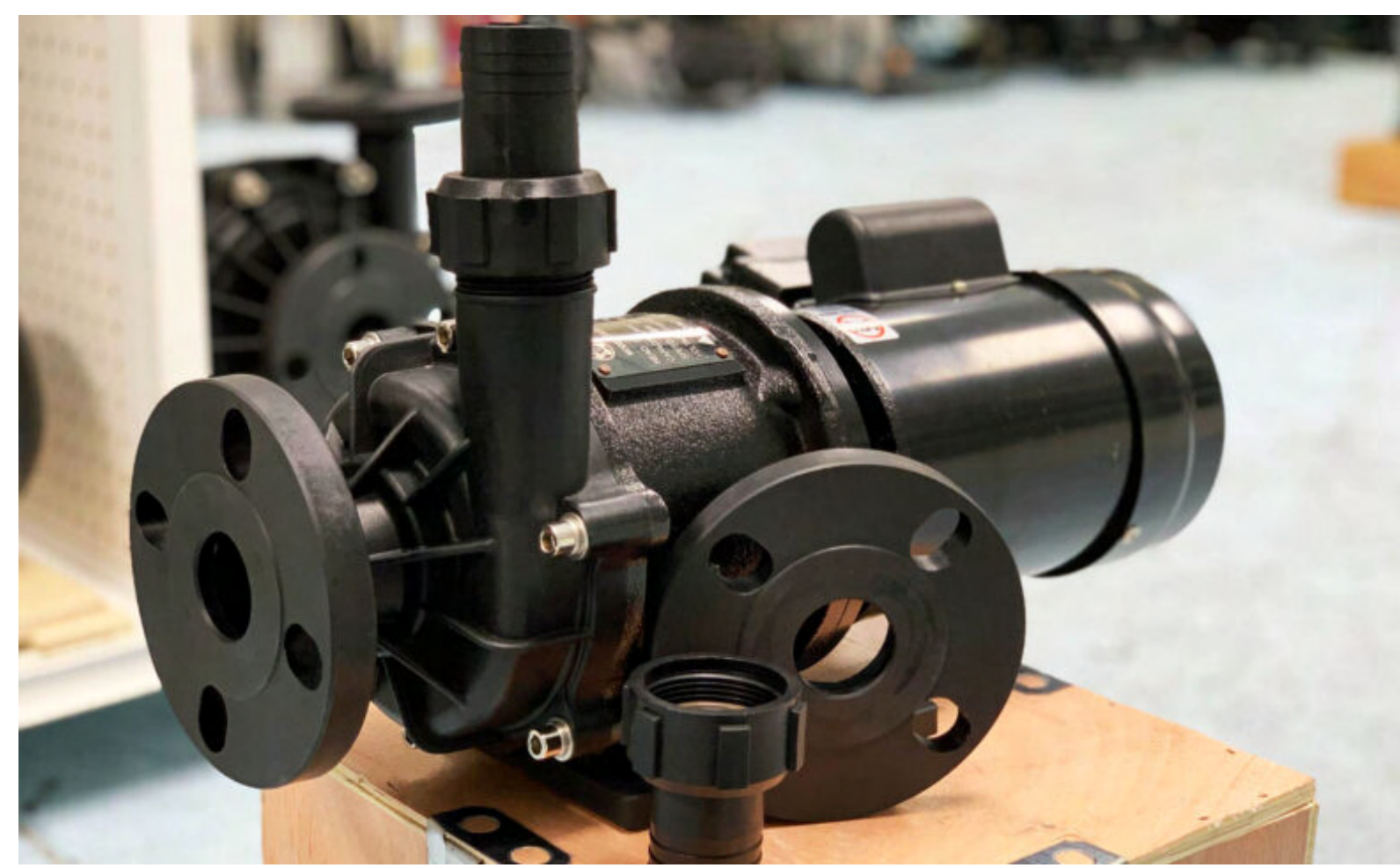
Pump Data

Brand :	GOL PUMPS		
Model :	GMD1 - 401		
Head Rate: 46.5 FEET	Flow Rate:	33.3 GPM	
Head Min: 20 FEET	Flow Max:	72 GPM	
Head Max: 53 FEET	Flow Min:	18 GPM	
RPM :	3450 rpm		
Normal Power P2 :	1 HP		
Fluid:	Water		
Fluid Temperature:	at about 32 °F - 176 °F		
Liquid Density:	1.2 kg/Dm ³ = 2.65 lb		
Fluid Viscosity:	8.90 × 10 ⁻⁴ Pa·s		
Kind of Workiny:	Horizontal		
Delivery size	1 1/2" (hose)		
Suction size	1 1/2" (hose)		
Made in :	CHINA		



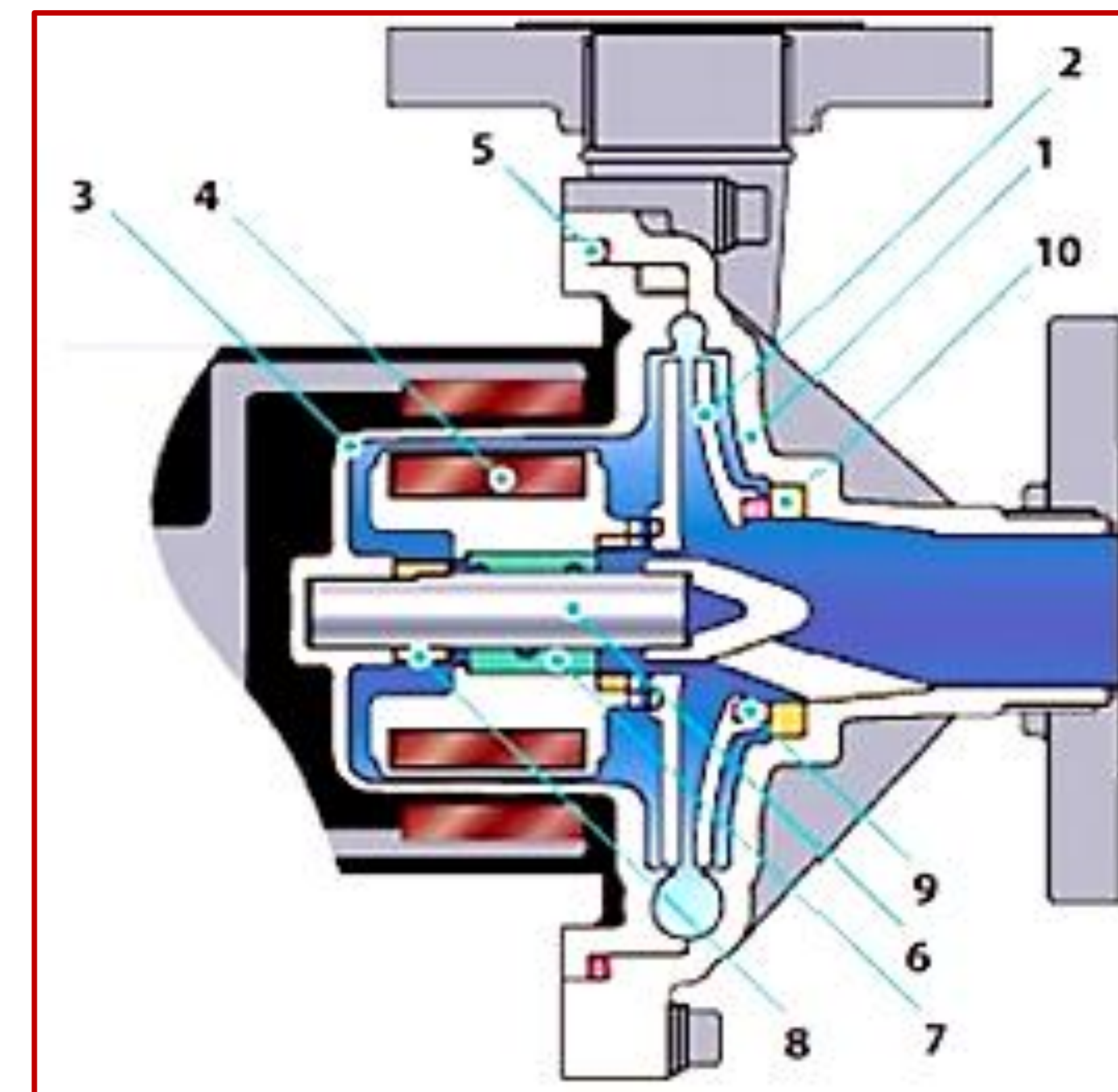
Motor Data

Power P2:	0.75 KW	
Phase (PH):	1	
Rate Voltage :	115 V	
Capacitor Need :	*	µf/V
Ferequency :	60 Hz	
Rated Speed (rpm):	3450 rpm	
Current (A):	3.9 A	
Cos φ :	0.95	
Degree of Protection (IP):	IP 55	
Safety Protection Degree:	E	
Safety Protection Included:	Thermal Protector	
length of Cable :	2 M	
Kind of Plug :	NONE	
Ambient Temp :	40°C = 104°F	



Other Pump Data

Pressuer Rating :	PN 6
Min. Fluid Temp :	0°C = 32°F
Max. Fluid Temp :	80°C = 176°F
Ambient Temp :	40°C = 104°F
Humidity % :	50%

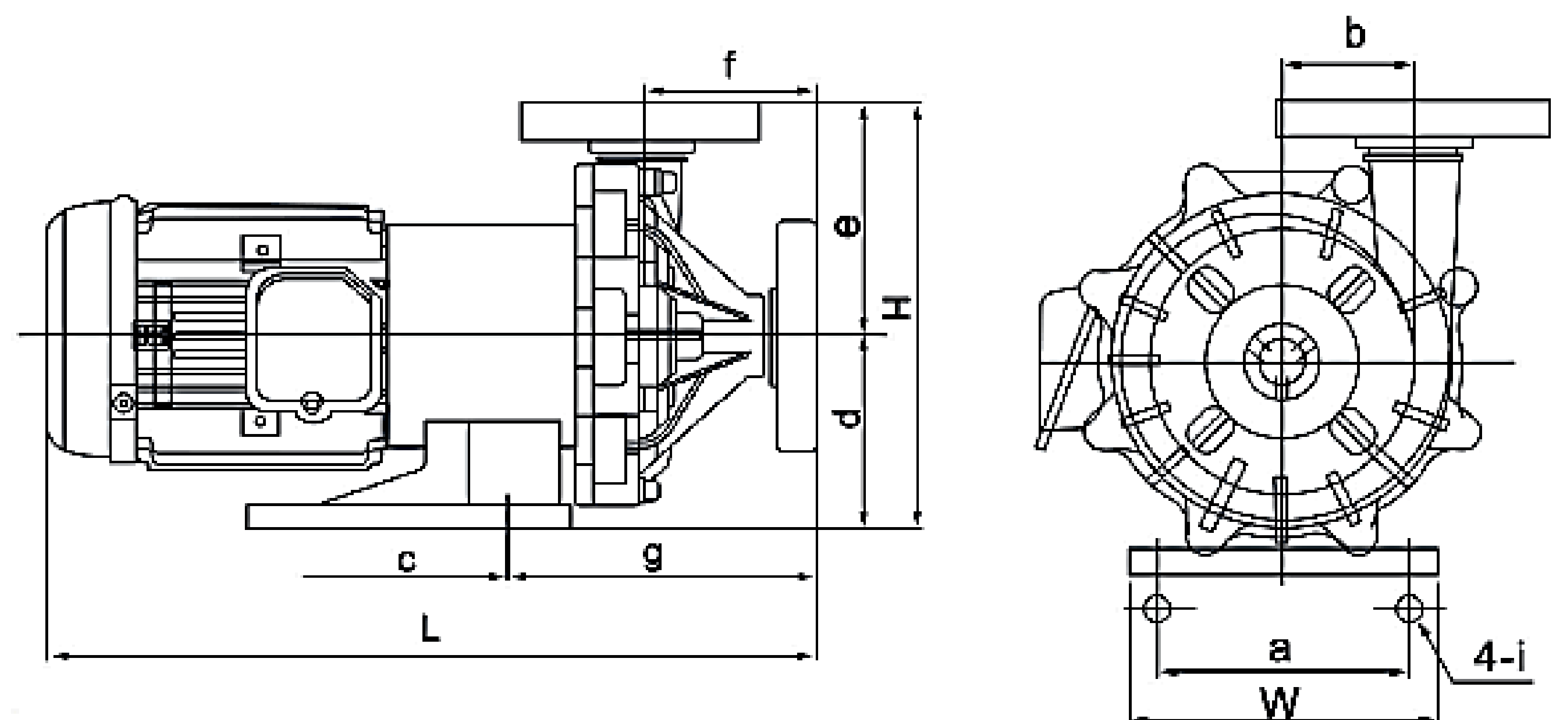


Special Specification

Installation status :	Horizontal
Variable frequency :	NONE

Materials

1- Front Casing:	CFRPP
2- Impellerr:	CFRPP
3- Rear Casing:	CFRPP
4- Magnet Capsule:	PP
5- O-ring	FKM (EPDM)
6- Stationery Bush:	Silicon Carbide
7- Rotation:	Silicon Carbide
8- Rear Thrust:	CFRPP
9- Mouth Ring:	PTFE
10- Liner Ring:	Alumina Oxide
11- Lock Pin:	CFRPP
12- Inner Flange:	CFRPP
13- Outer Flange:	CFRPP



Applicant :

Corrosive Acids, Alkalis, Solvents, Brines,

Plating Solutions, Sterile Solutions, and other

Mildly Corrosive Chemicals and Solutions that are

Compatible with the Pumps Material of Constructin

Dimention

in	mm
A	130
B	75
C	130
D	115
E	140
F	103
G	184
I	12
W	160
H	255
L	479

Net Weight : 22 Kg

Standard Approve :

CE



REV : 2021/02