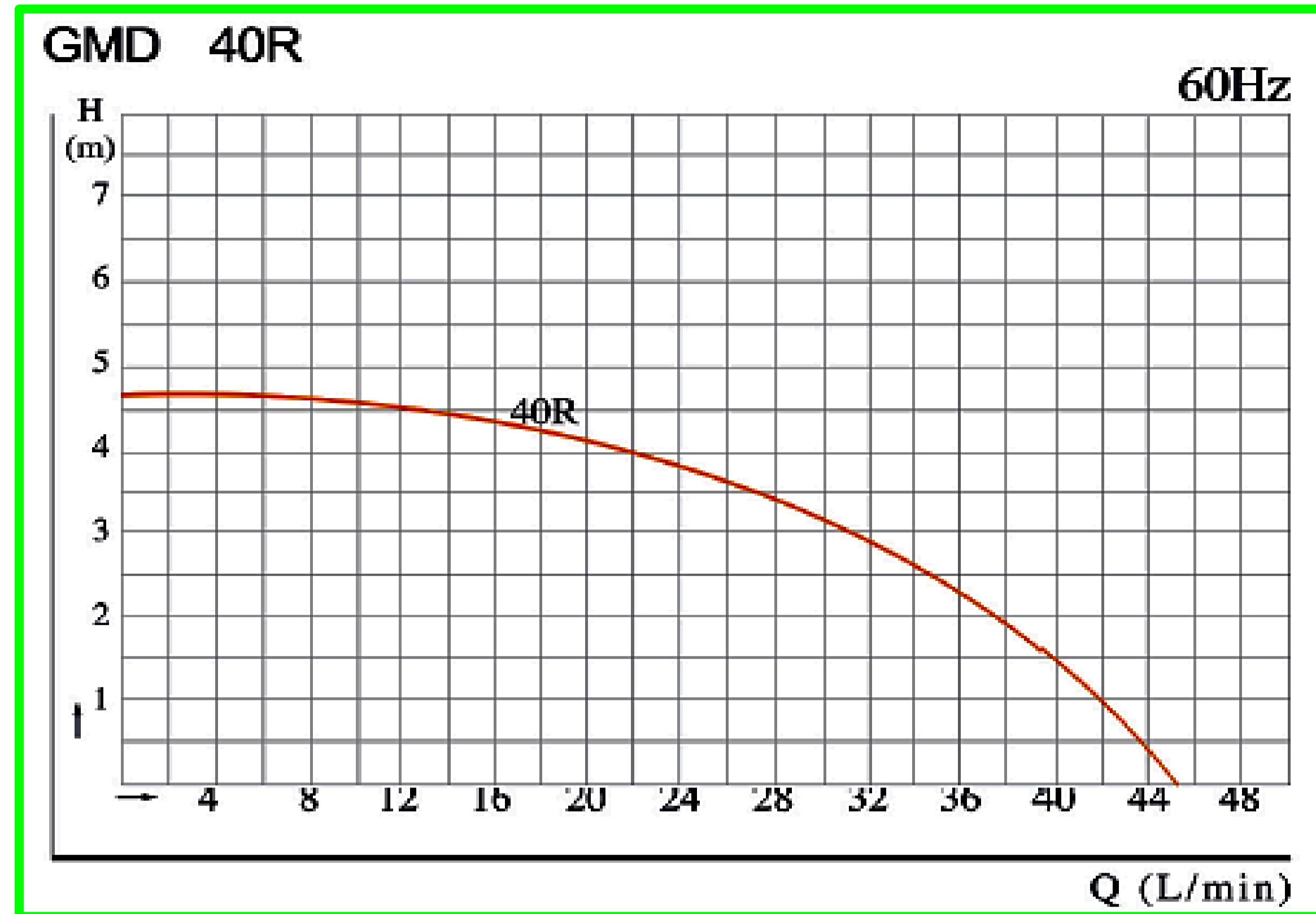


Pump Data

Brand :	GOL PUMPS		
Model :	GMD - 40 R		
Head Rate:	13 FEET	Flow Rate:	5.8 GPM
Head Min:	5 FEET	Flow Max:	10.6 GPM
Head Max:	15 FEET	Flow Min:	3.34 GPM
RPM :	3450 rpm		
Normal Power P2 :	0.08 HP		
Fluid:	Water		
Fluid Temperture:	at about 32 °F - 176 °F		
Density:	water 1.1 kg/Dm ³ = 2.43 lb		
Fluid Viscosity:	8.90 × 10 ⁻⁴ Pa·s		
Kind of Workiny:	Horizontal		
Delivery size:	3/4" (hose)		
Suction size:	3/4" (hose)		
Made in :	CHINA		



Motor Data

Power P2:	0.065 Kw	
Power P1:	0.090 Kw	
Phase (PH):	1	
Rate Voltage :	115 V	
Capacitor Need :	7.8	µF/V
Ferequency :	60 Hz	
Rated Speed (rpm):	3450 rpm	
Current (A):	0.34 A	
Cos φ :	1	
Degree of Protection (IP):	IP 55	
Safety Protection Degree:	E	
Safety Protection Included:	Thermal Protector	
length of Cable :	2 M	
Kind of Plug :	NONE	
Ambient Temp :	40°C = 104°F	



Other Pump Data

Pressuer Rating :	PN 6
Min. Fluid Temp :	0°C = 32°F
Max. Fluid Temp :	80°C = 176°F
Ambient Temp :	40°C = 104°F
Liquid Density:	1.1 kg/Dm ³ = 2.65 lb
Humidity % :	50%

Special Specification

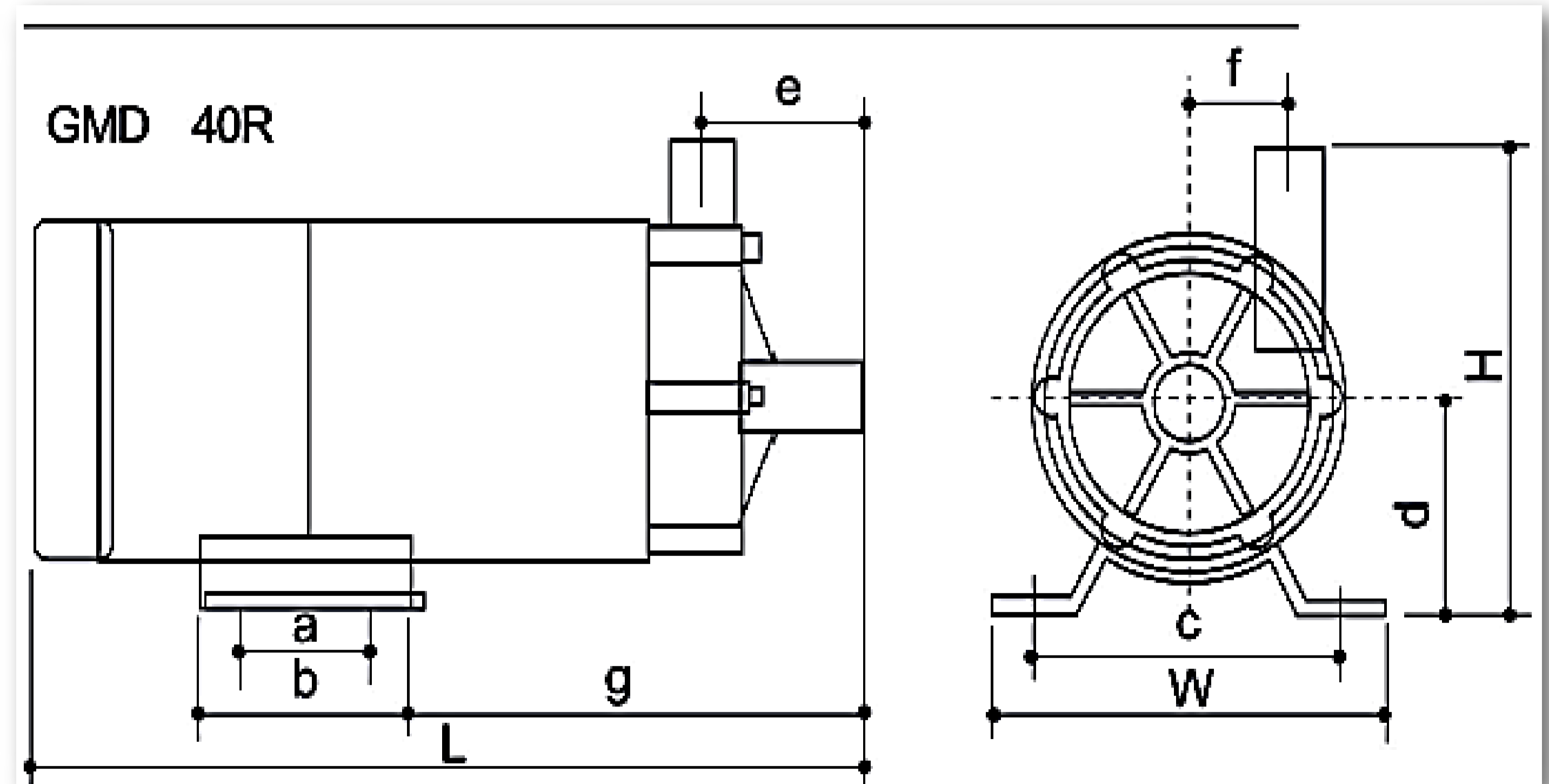
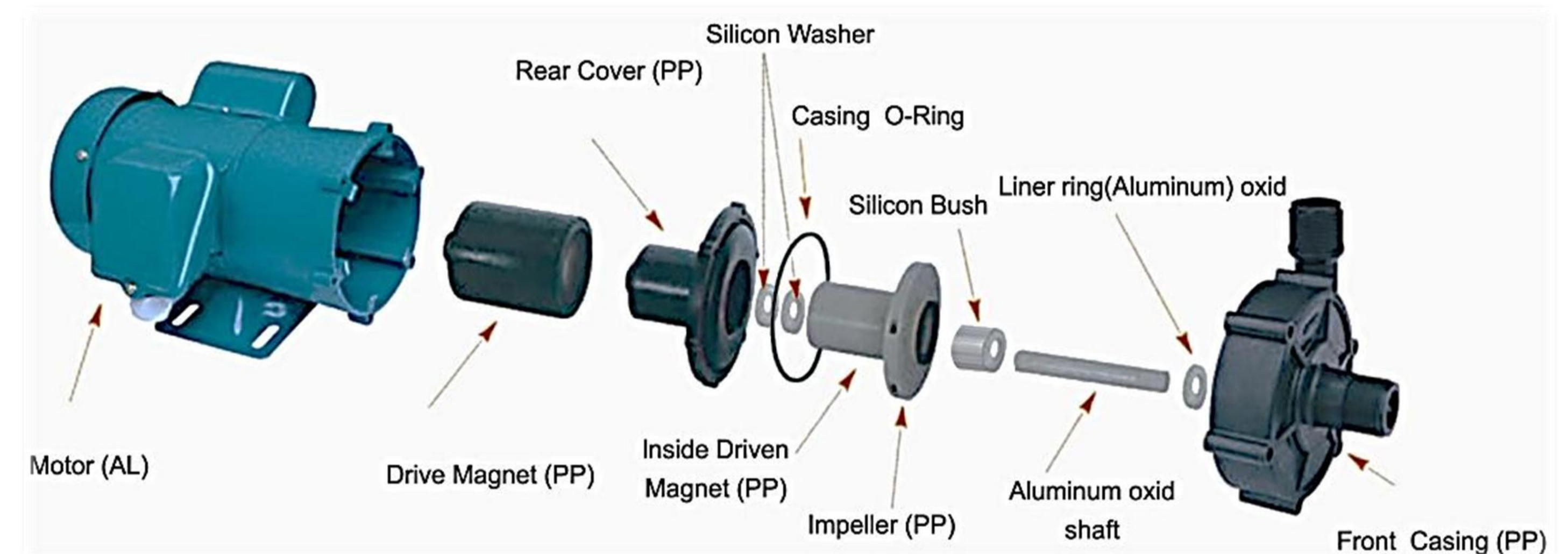
Installation status :	Horizontal
Variable frequency :	NONE
Solid Passage:	*

Materials

Pump Casing :	PP
Rear Cover:	PP
Impeller:	PP
O-rings :	FXM
Rotation Bushings:	Silicon Carbide
Stationary Bushings:	Aluminum Oxid
Outer cover:	PP
Motor Case:	Aluminum

Weight : 4.25 Kg

Standard Approve :



Applicant :

Corrosive Acids, Alkalis, Solvents, Brines,
Plating Solutions, Sterile Solutions, and other
Mildly Corrosive Chemicals and Solutions that are
Compatible with the Pumps Material of Constructin

Dimention

in	mm
A	40
B	64
C	100
D	60
E	48
F	31
G	137
W	120
H	130
L	250

CE



Rev : 2021/02