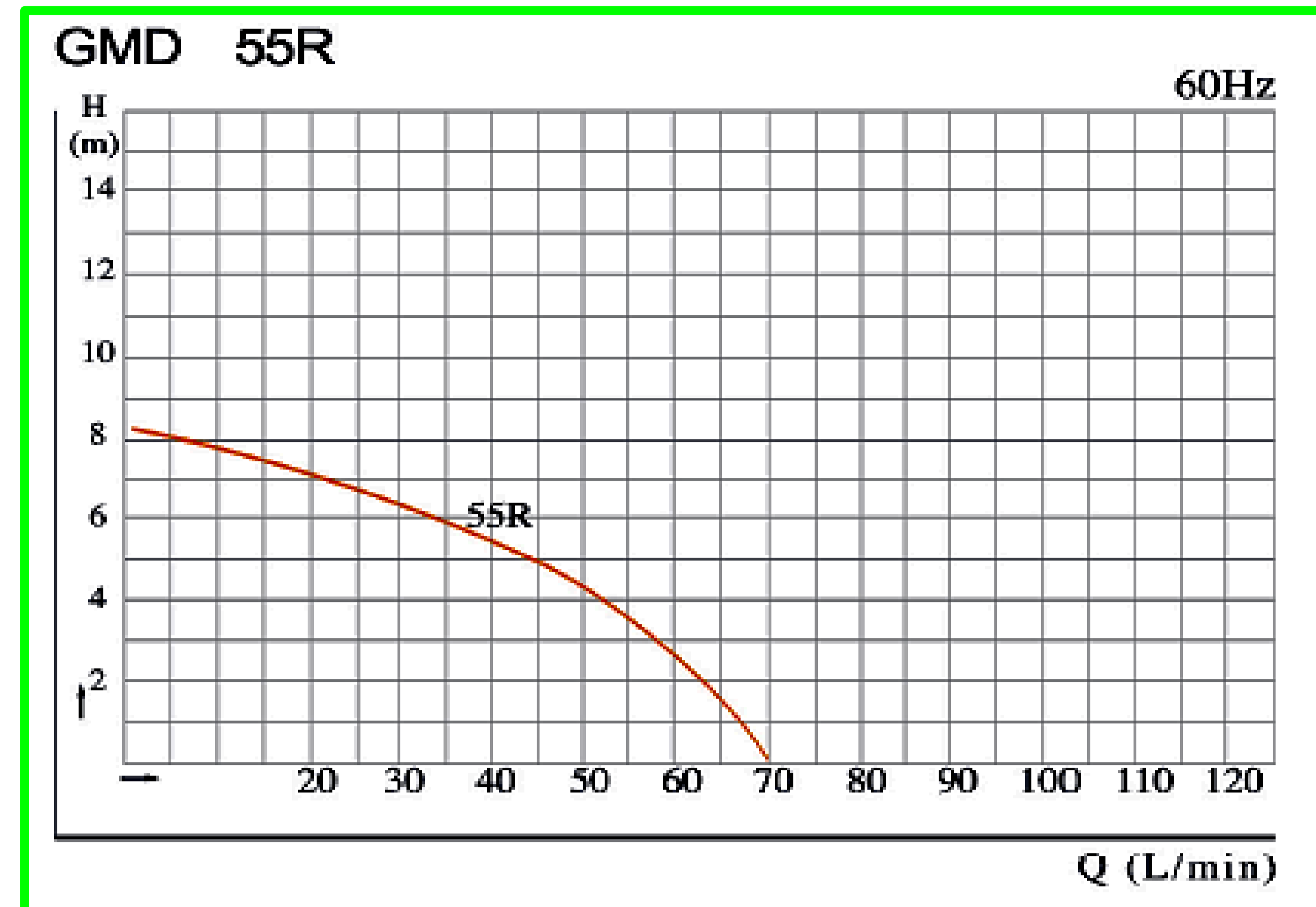


### Pump Data

Brand :	GOL PUMPS		
Model :	GMD - 55 R		
Head Rate:	18.6 FEET	Flow Rate:	9.3 GPM
Head Min:	5 FEET	Flow Max:	17.17 GPM
Head Max:	25 FEET	Flow Min:	3.96 GPM
RPM :	3450 rpm		
Normal Power P2 :	0.11 HP		
Fluid:	Water		
Fluid Temperature:	at about 32 °F - 176 °F		
Density:	water 1.2 kg/Dm <sup>3</sup> = 2.65 lb		
Fluid Viscosity:	8.90 × 10 <sup>-4</sup> Pa·s		
Kind of Working:	Horizontal		
Delivery size:	26 mm 1" (hose)		
Suction size:	26 mm 1" (hose)		
Made in :	CHINA		



### Motor Data

Power P2:	0.09 Kw	
Power P1:	0.13 Kw	
Phase (PH):	1	
Rate Voltage :	115 V	
Capacitor Need :	2.07	µF/V
Ferequency :	60 Hz	
Rated Speed (rpm):	3450 rpm	
Current (A):	0.47 A	
Cos φ :	0.95	
Degree of Protection (IP):	IP 55	
Safety Protection Degree:	E	
Safety Protection Included:	Thermal Protector	
length of Cable :	2 M	
Kind of Plug :	NONE	
Ambient Temp :	40°C = 104°F	



### Other Pump Data

Pressuer Rating :	PN 6
Min. Fluid Temp :	0°C = 32°F
Max. Fluid Temp :	80°C = 176°F
Ambient Temp :	40°C = 104°F
Liquid Density:	1.2 kg/Dm <sup>3</sup> = 2.65 lb
Humidity % :	50%

### Special Specification

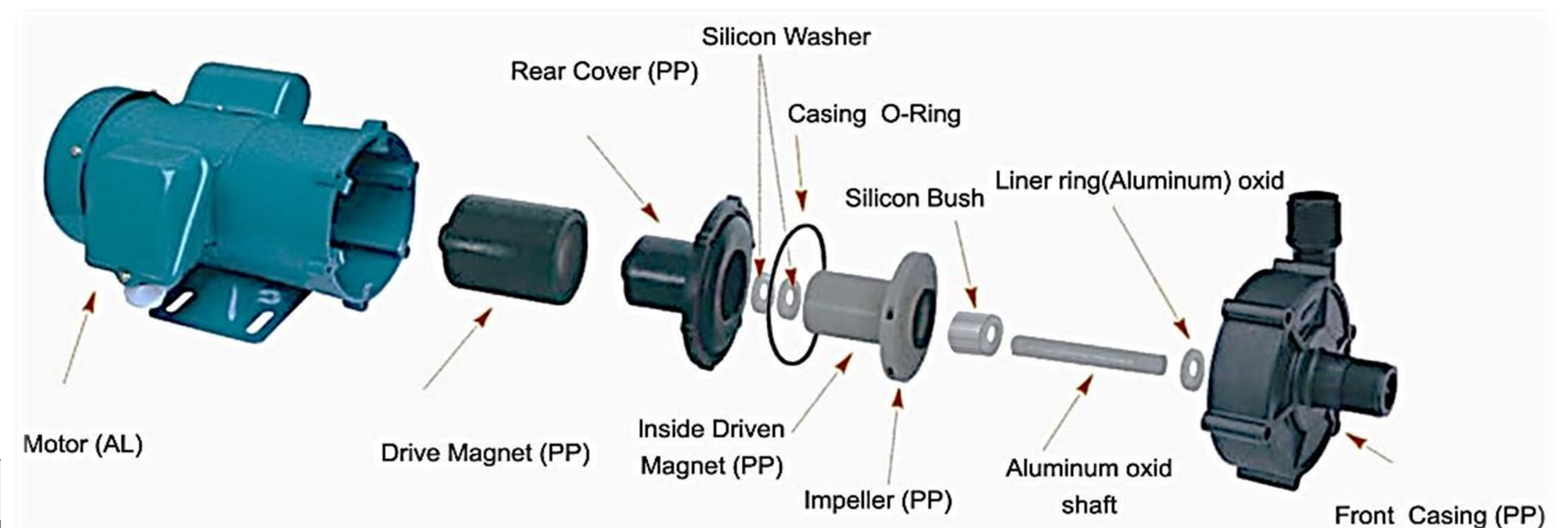
Installation status :	Horizontal
Variable frequency :	NONE
Solid Passage:	*

### Materials

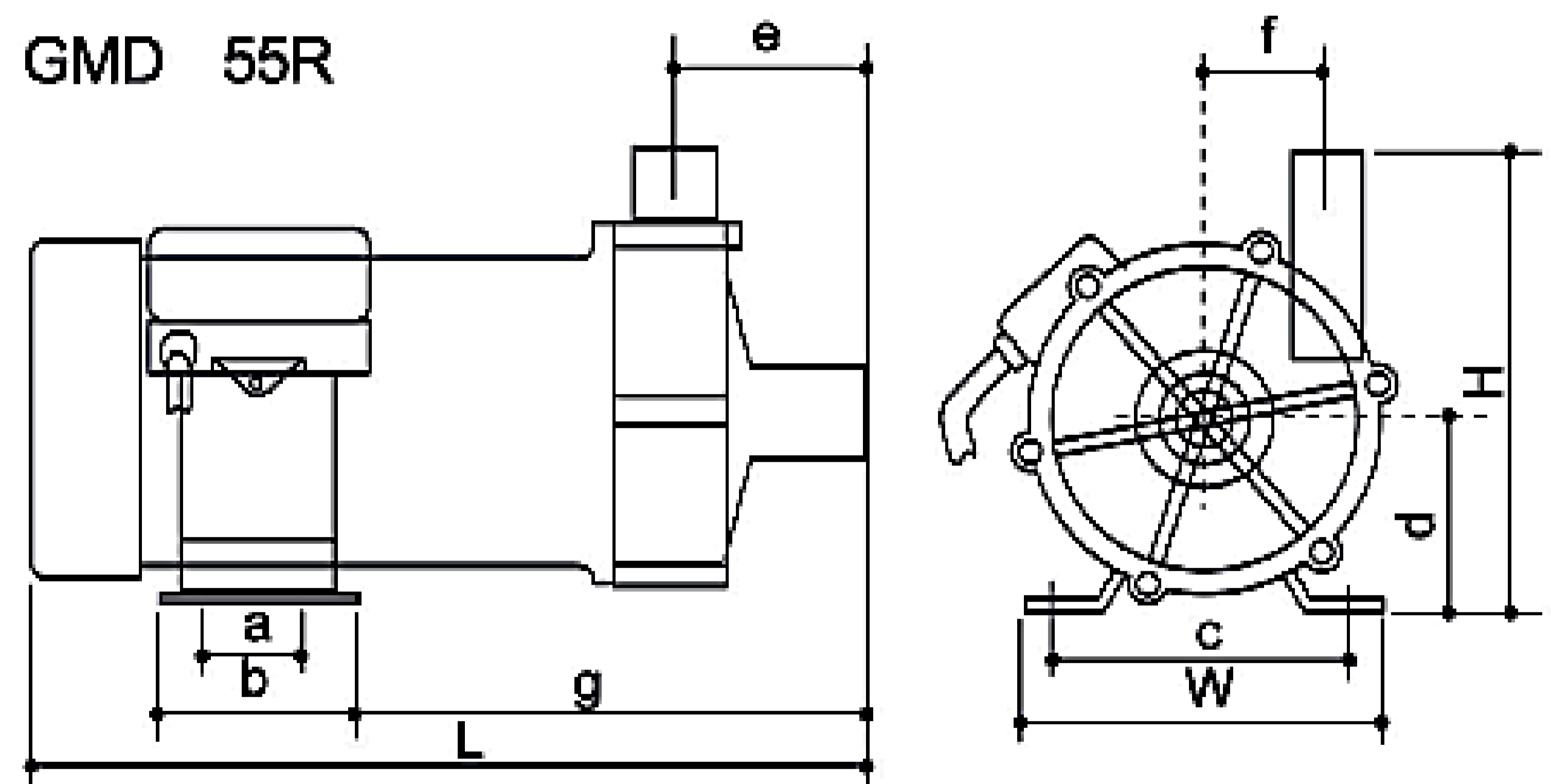
Pump Casing :	PP
Rear Cover:	PP
Impeller:	PP
O-rings :	FXM
Rotation Bushings:	Silicon Carbide
Stationary Bushings:	Aluminum Oxid
Outer cover:	PP
Motor Case:	Aluminum

Weight : 5.38 Kg

Standard Approve :



### GMD 55R



### Applicant :

Corrosive Acids, Alkalis, Solvents, Brines,

Plating Solutions, Sterile Solutions, and other

Mildly Corrosive Chemicals and Solutions that are

Compatible with the Pumps Material of Constructin

### Dimention

	in	mm
A		40
B		64
C		100
D		65
E		61.5
F		40
G		166.7
W		120
H		155
L		273.5

CE



Rev : 2021/02