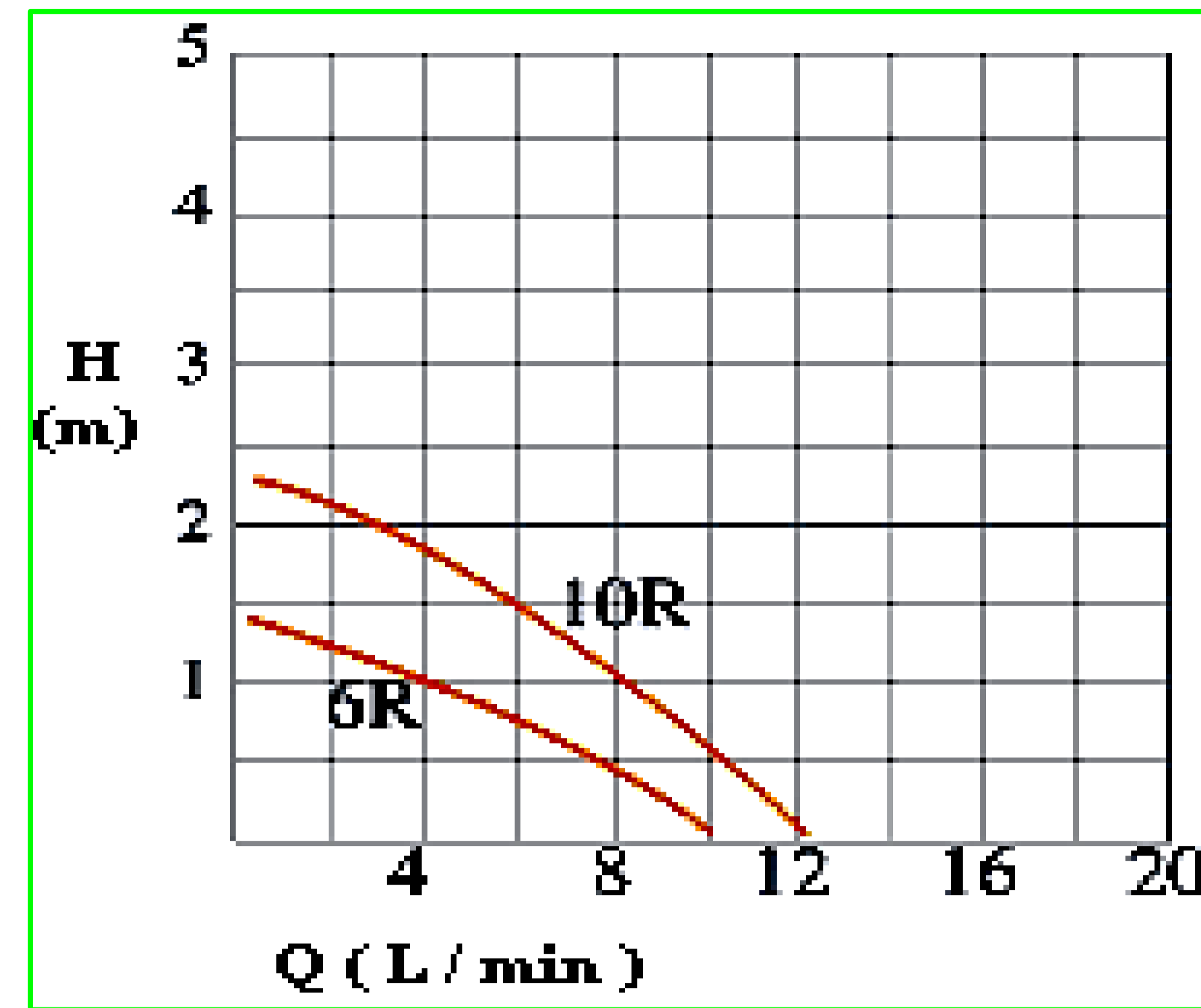


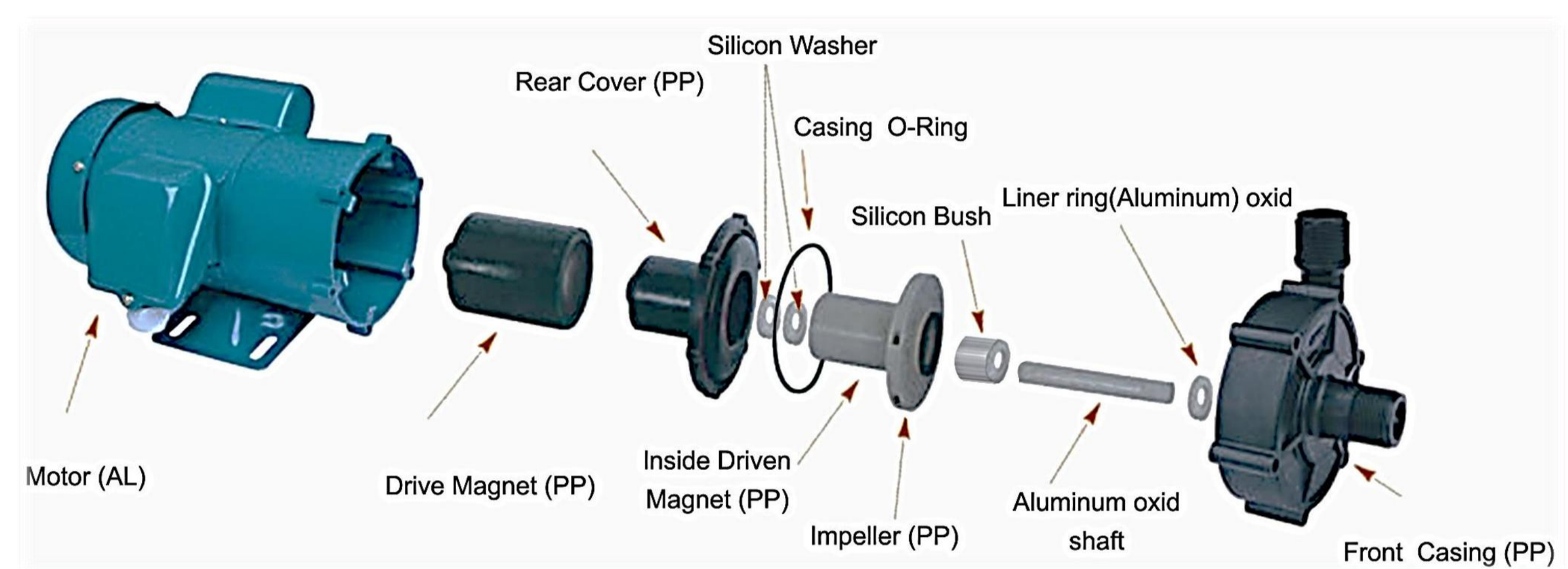
Pump Data

Brand :	GOL PUMPS		
Model :	GMD - 6R		
Head Rate:	2.6 FEET	Flow Rate:	0.75 GPM
Head Min:	1.7 FEET	Flow Max:	2.1 GPM
Head Max:	4 FEET	Flow Min:	0.5 GPM
RPM :	3200 rpm		
Normal Power P2 :	0.003 HP		
Fluid:	Water		
Fluid Temperture:	at about 32 °F - 176 °F		
Density:	water 1.2 kg/Dm ³ = 2.65 lb		
Fluid Viscosity:	8.90 × 10 ⁻⁴ Pa·s		
Kind of Workiny:	Horizontal		
Delivery size:	14 mm - 1/2" (hose)		
Suction size:	14 mm - 1/2" (hose)		
Made in :	CHINA		



Motor Data

Power P2:	3 W	
Power P1:	22 W	
Phase (PH):	1	
Rate Voltage :	115 V	
Capacitor Need :	0.6	µF/V
Ferequency :	60 Hz	
Rated Speed (rpm):	3200 rpm	
Current (A):	0.11 A	
Cos φ :	0.95	
Degree of Protection (IP):	IP 55	
Safety Protection Degree:	E	
Safety Protection Included:	Thermal Protector	
length of Cable :	2 M	
Kind of Plug :	NONE	
Ambient Temp :	40°C = 104°F	



Other Pump Data

Pressuer Rating :	PN 6
Min. Fluid Temp :	0°C = 32°F
Max. Fluid Temp :	80°C = 176°F
Liquid Density:	1.2 kg/Dm ³ = 2.65 lb
Ambient Temp :	40°C = 104°F
Humidity % :	50%

Special Specification

Installation status :	Horizontal
Variable frequency :	NONE
Solid Passage:	*

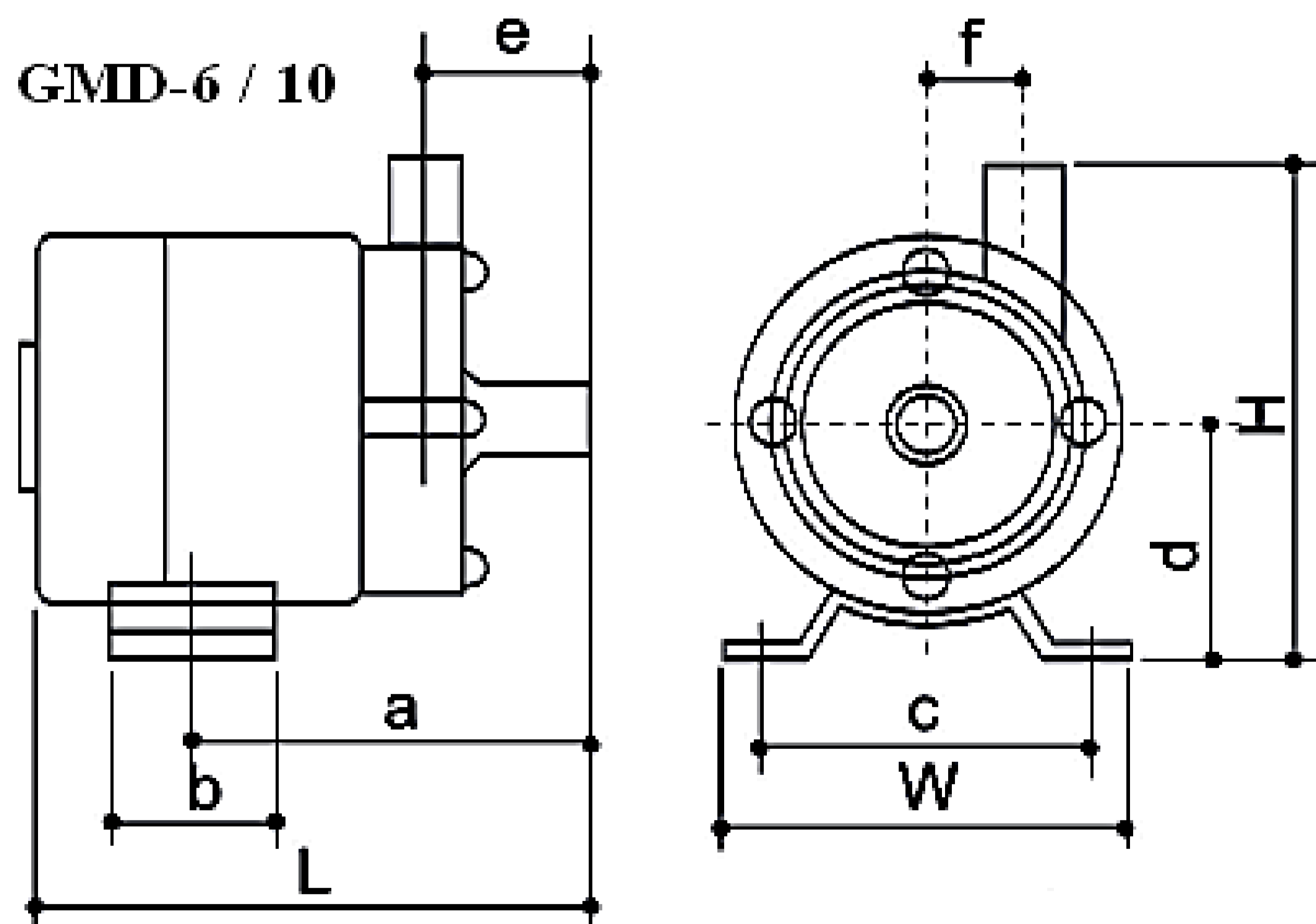
Materials

Pump Casing :	PP
Rear Cover:	PP
Impeller:	PP
O-rings :	FXM
Rotation Bushings:	Silicon Carbide
Stationary Bushings:	Aluminum Oxid
Outer cover:	PP
Motor Case:	Aluminum

Weight : 1.2 Kg

Standard Approve :

GMD-6 / 10



Applicant :

Dimention

in mm

Corrosive Acids, Alkalis, Solvents, Brines,
Plating Solution, Sterile Solutions, and other
Corrosive Chemicals and Solutions that are
Compatible with the Pumps Material of Construction

A	73
B	30
C	60
D	45
E	31
F	17
W	74
H	92
L	104

CE



Rev : 2021/02