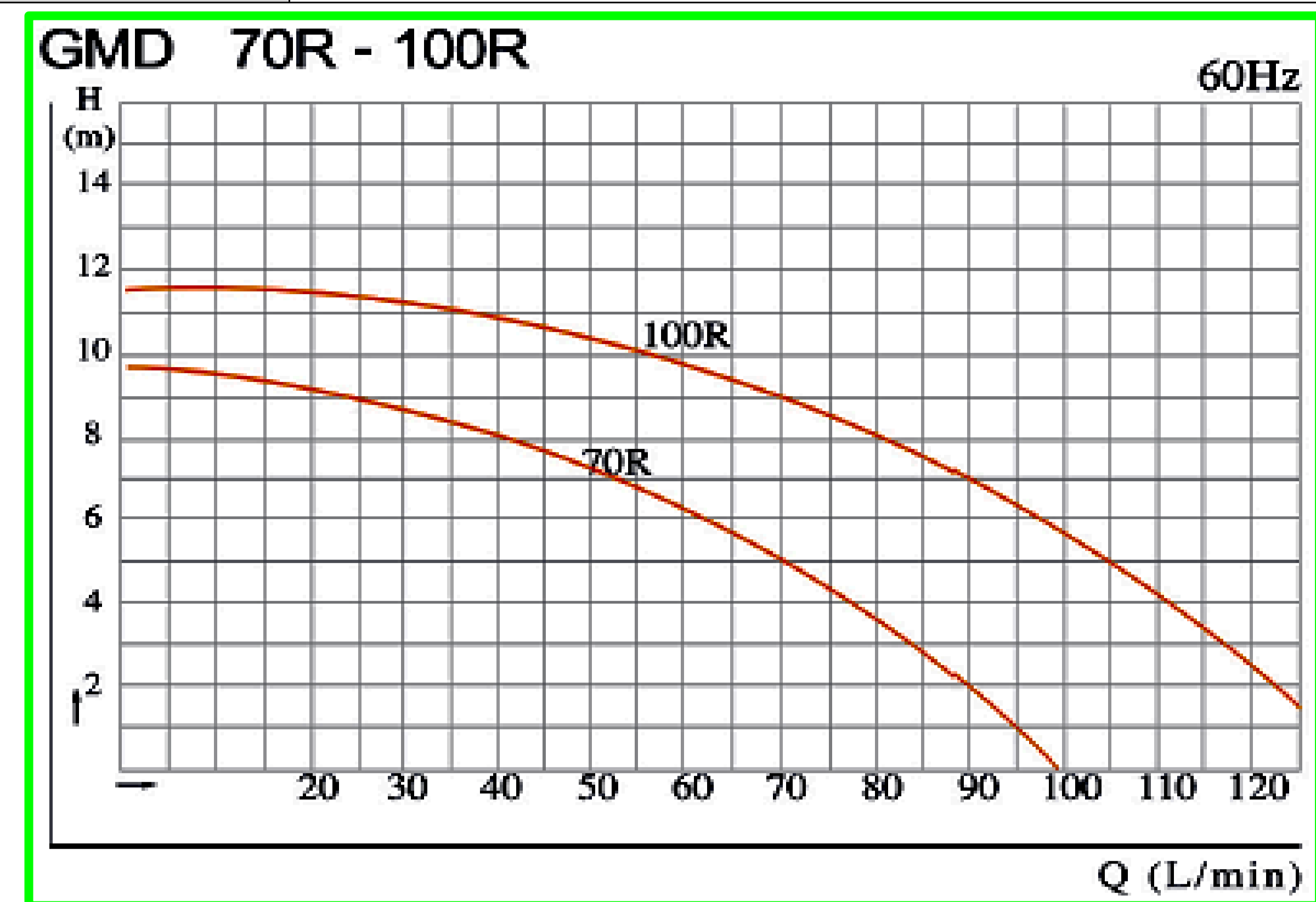


Pump Data

Brand :	GOL PUMPS		
Model :	GMD - 70 R		
Head Rate:	21.7 FEET	Flow Rate:	13.3 GPM
Head Min:	6.66 FEET	Flow Max:	23.78 GPM
Head Max:	30 FEET	Flow Min:	6.6 GPM
RPM :	3380 rpm		
Normal Power P2 :	0.2 HP		
Fluid:	Water		
Fluid Temperature:	at about 32 °F - 176 °F		
Density:	water 1 kg/Dm ³ = 2.205 lb		
Fluid Viscosity:	8.90 × 10 ⁻⁴ Pa·s		
Kind of Workiny:	Horizontal		
Delivery size:	26 mm 1" (hose)		
Suction size:	26 mm 1" (hose)		
Made in :	CHINA		



Motor Data

Power P2:	0.180 KW	
Power P1:	0.275 KW	
Phase (PH):	1	
Rate Voltage :	115 V	
Capacitor Need :	12	µF/V
Ferequency :	60 Hz	
Rated Speed (rpm):	3380 rpm	
Current (A):	1.5 A	
Cos φ :	0.95	
Degree of Protection (IP):	IP 55	
Safety Protection Degree:	E	
Safety Protection Included:	Thermal Protector	
length of Cable :	2 M	
Kind of Plug :	NONE	
Ambient Temp :	40°C = 104°F	



Other Pump Data

Pressuer Rating :	PN 6
Min. Fluid Temp :	0°C = 32°F
Max. Fluid Temp :	80°C = 176°F
Specific Weight max	1
Ambient Temp :	40°C = 104°F
Liquid Density:	1.1 kg/Dm ³ = 2.65 lb
Humidity % :	50%

Special Specification

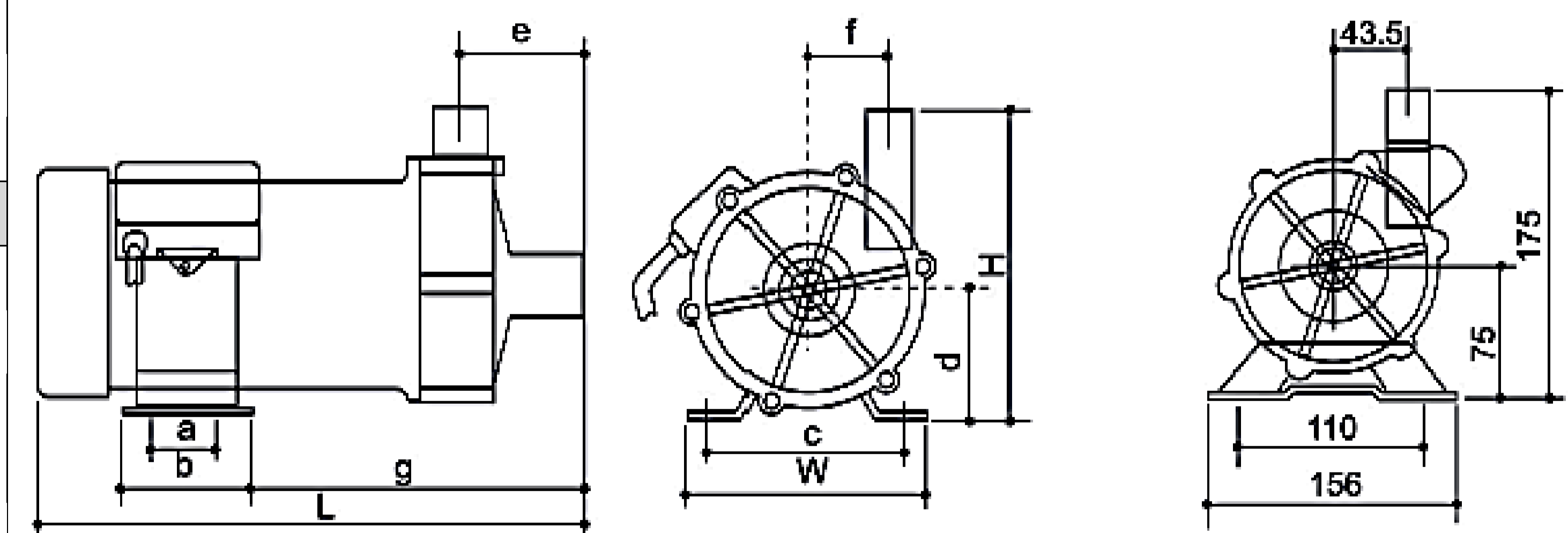
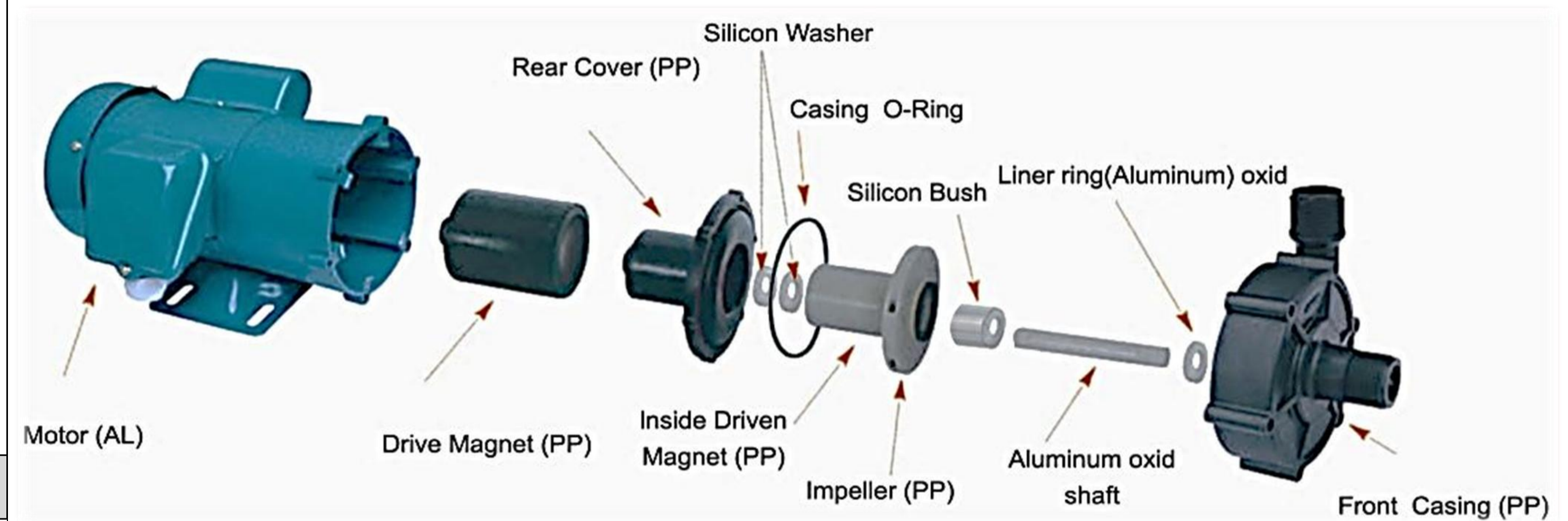
Installation status :	Horizontal
Variable frequency :	NONE
Solid Passage:	*

Materials

Pump Casing :	PP
Rear Cover:	PP
Impeller:	PP
O-rings :	FXM
Rotation Bushings:	Silicon Carbide
Stationary Bushings:	Aluminum Oxid
Outer cover:	PP
Motor Case:	Aluminum

Weight : 6.5 Kg

Standard Approve :



Applicant :

Corrosive Acids, Alkalis, Solvents, Brines,

Plating Solutions, Sterile Solutions, and other

Mildly Corrosive Chemicals and Solutions that are

Compatible with the Pumps Material of Constructin

Dimention

	in	mm
A		40
B		60
C		110
D		65
E		53
F		43
G		149
W		130
H		155
L		258

CE



Rev : 2021/02