

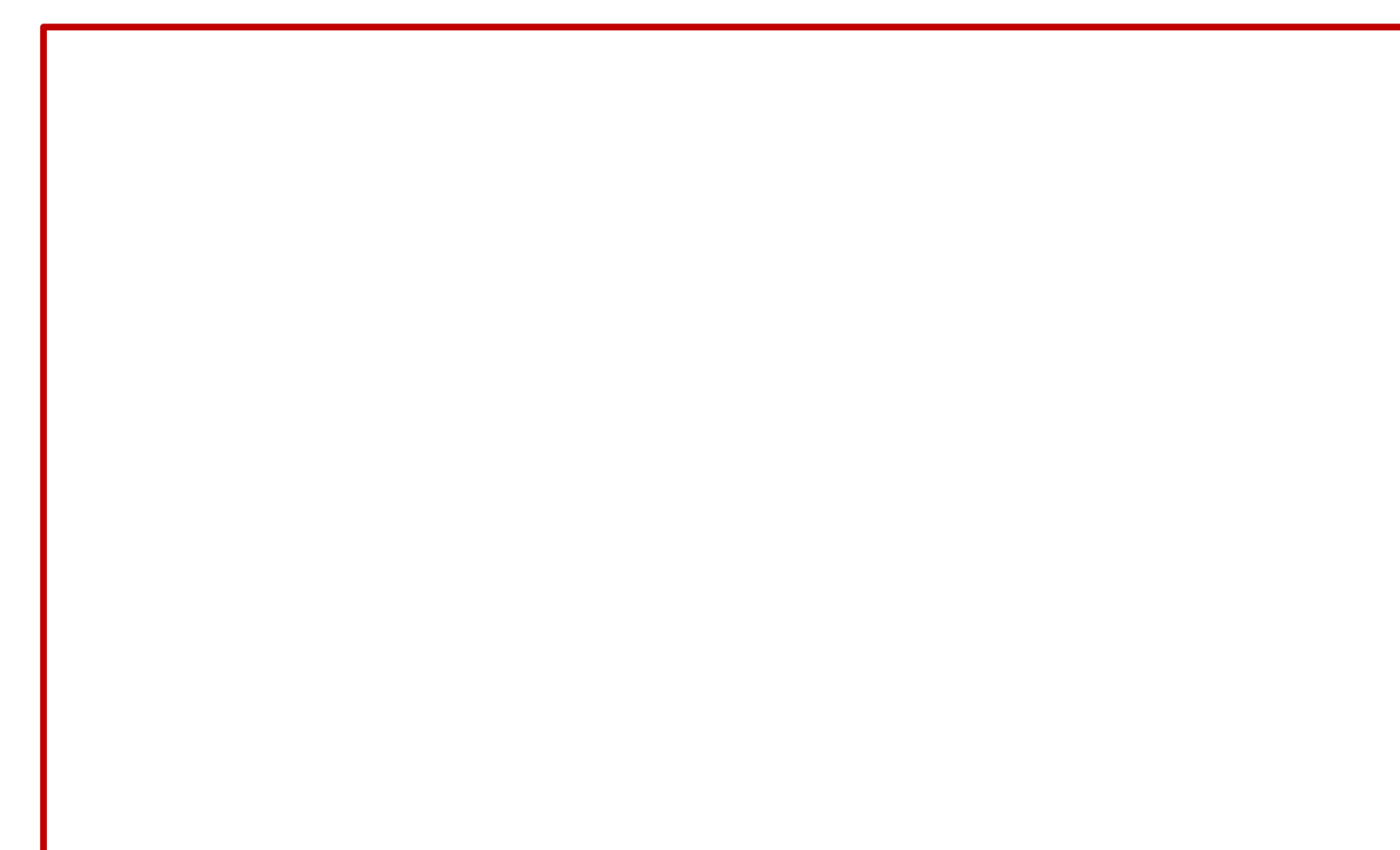
#### Pump Data

Brand :	GOL PUMPS		
Model :	GMD - 70 RZ		
Head Rate:	FEET 39.3	Flow Rate:	6.3 GPM
Head Min:	FEET 0	Flow Max:	10.5 GPM
Head Max:	FEET 47	Flow Min:	0 GPM
RPM :	3380 rpm		
Normal Power P2 :	0.2 HP		
Fluid:	Water		
Fluid Temperature:	at about 32 °F - 176 °F		
Density:	water 1 kg/Dm <sup>3</sup> = 2.205 lb		
Fluid Viscosity:	8.90 × 10 <sup>-4</sup> Pa·s		
Kind of Working:	Horizontal		
Delivery size:	20 mm 3/4" (hose)		
Suction size:	20 mm 3/4" (hose)		
Made in :	CHINA		



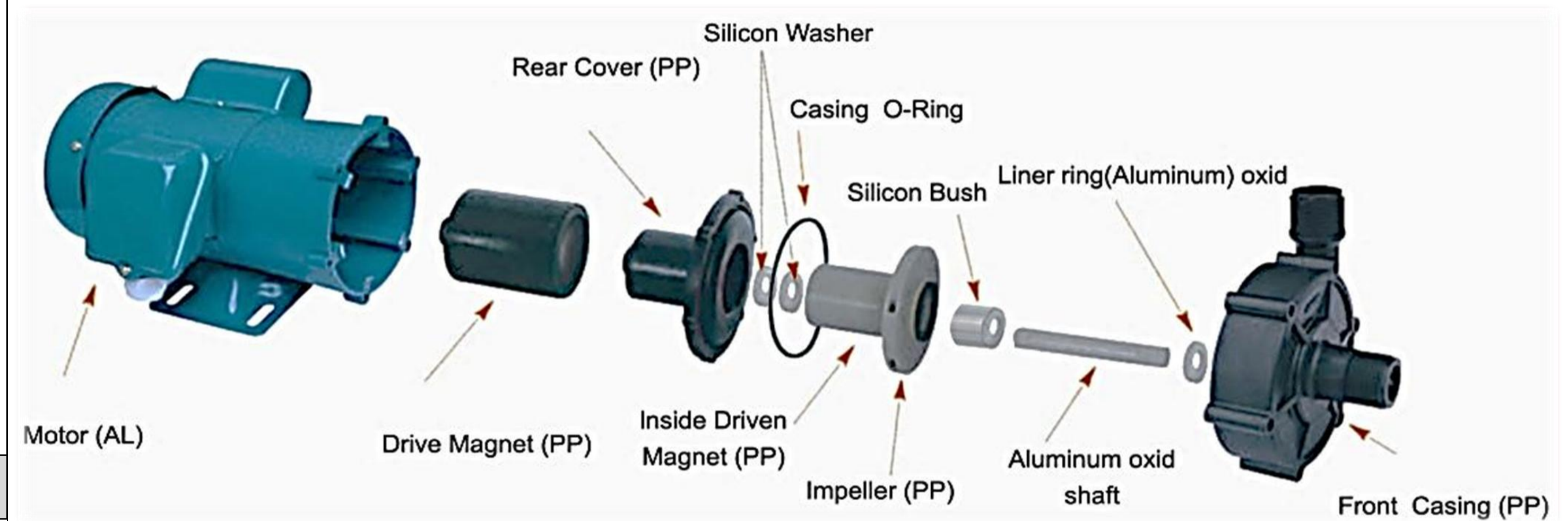
#### Motor Data

Power P2:	0.180 KW	
Power P1:	0.275 KW	
Phase (PH):	1	
Rate Voltage :	115 V	
Capacitor Need :	12	µF/V
Ferequency :	60 Hz	
Rated Speed (rpm):	3380 rpm	
Current (A):	1.5 A	
Cos φ :	0.95	
Degree of Protection (IP):	IP 55	
Safety Protection Degree:	E	
Safety Protection Included:	Thermal Protector	
length of Cable :	2 M	
Kind of Plug :	NONE	
Ambient Temp :	40°C = 104°F	



#### Other Pump Data

Pressuer Rating :	PN 6
Min. Fluid Temp :	0°C = 32°F
Max. Fluid Temp :	80°C = 176°F
Specific Weight max	1
Ambient Temp :	40°C = 104°F
Liquid Density:	1.1 kg/Dm <sup>3</sup> = 2.65 lb
Humidity % :	50%



#### Special Specification

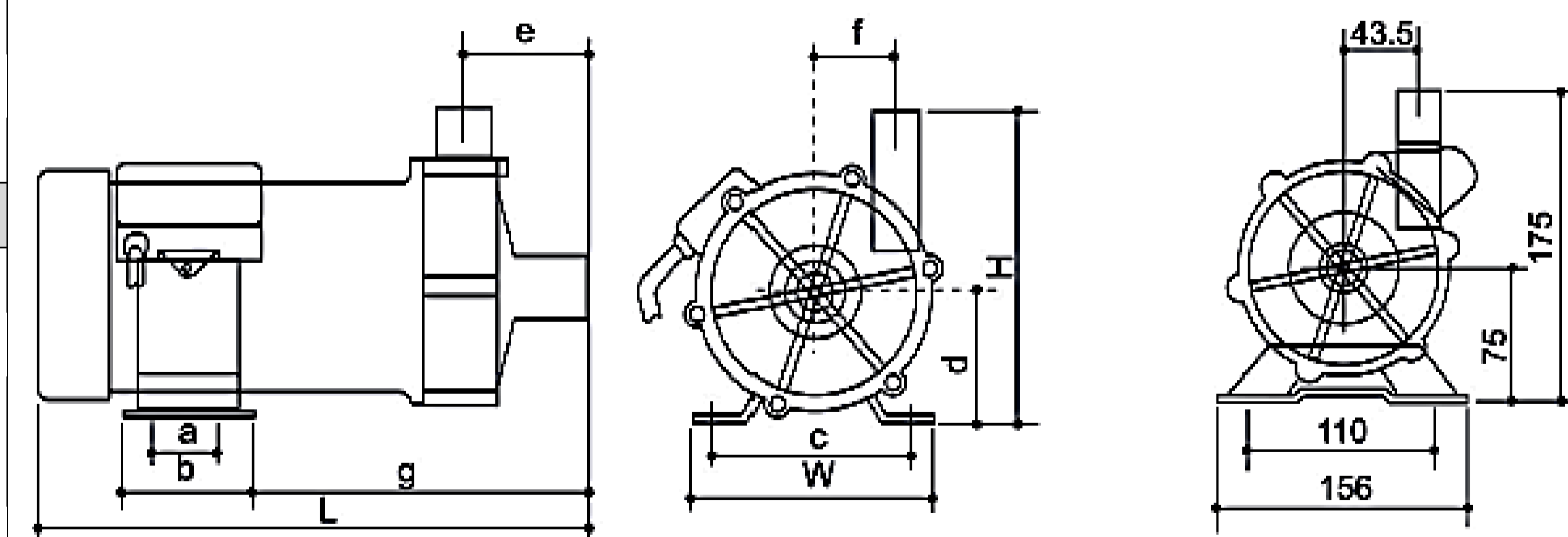
Installation status :	Horizontal
Variable frequency :	NONE
Solid Passage:	*

#### Materials

Pump Casing :	PP
Rear Cover:	PP
Impeller:	PP
O-rings :	FXM
Rotation Bushings:	Silicon Carbide
Stationary Bushings:	Aluminum Oxid
Outer cover:	PP
Motor Case:	Aluminum

Weight : 6.5 Kg

Standard Approve :



#### Dimention

	in	mm
A		40
B		60
C		110
D		65
E		53
F		43
G		149
W		130
H		155
L		258

#### Applicant :

Corrosive Acids, Alkalis, Solvents, Brines,

Plating Solutions, Sterile Solutions, and other

Mildly Corrosive Chemicals and Solutions that are

Compatible with the Pumps Material of Constructin

CE



Rev : 2021/02