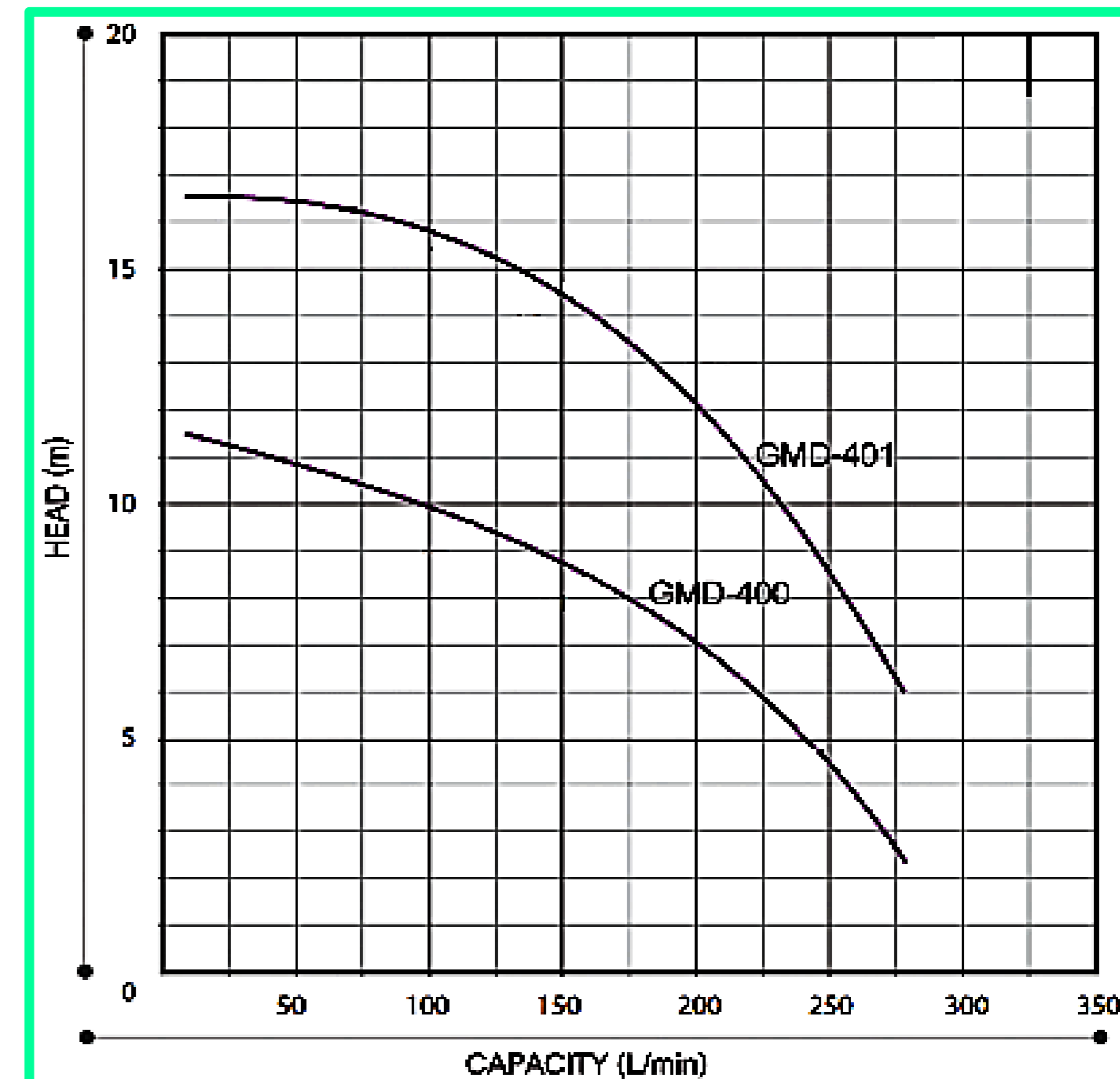


### Pump Data

Brand :	GOL PUMPS		
Model :	GMD3 - 400		
Head Rate: 28.21 FEET	Flow Rate:	33.3 GPM	
Head Min: 10 FEET	Flow Max:	63 GPM	
Head Max: 36.6 FEET	Flow Min:	9 GPM	
RPM :	3450 rpm		
Normal Power P2 :	0.5 HP		
Fluid:	Water		
Fluid Temperture:	at about 32 °F - 176 °F		
Liquid Density:	1.2 kg/Dm <sup>3</sup> = 2.65 lb		
Fluid Viscosity:	8.90 × 10 <sup>-4</sup> Pa·s		
Kind of Workiny:	Horizontal		
Delivery size	40 mm 1 1/2" Thread & Flange		
Suction size	40 mm 1 1/2" Thread & Flange		
Made in :	CHINA		



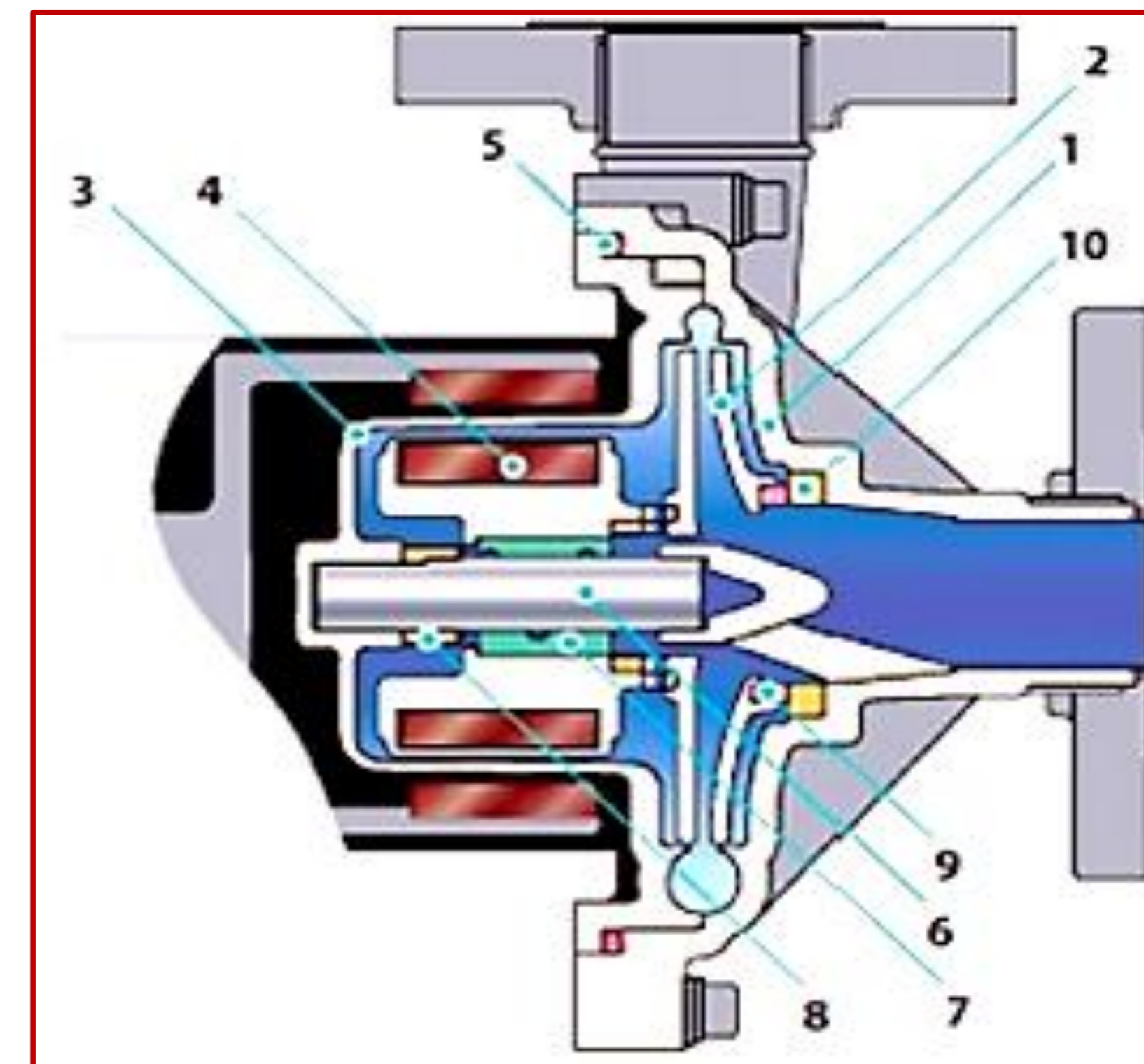
### Motor Data

Power P2:	0.4 KW	
Phase (PH):	3	
Rate Voltage :	220 V	
Capacitor Need :	NONE	µF/V
Ferequency :	60 Hz	
Rated Speed (rpm):	3450 rpm	
Current (A):	1.2 A	
Cos φ :	0.85	
Degree of Protection (IP):	IP 55	
Safety Protection Degree:	E	
length of Cable :	2 M	
Kind of Plug :	NONE	
Ambient Temp :	40°C = 104°F	



### Other Pump Data

Pressuer Rating :	PN 6
Min. Fluid Temp :	0°C = 32°F
Max. Fluid Temp :	80°C = 176°F
Ambient Temp :	40°C = 104°F
Humidity % :	50%

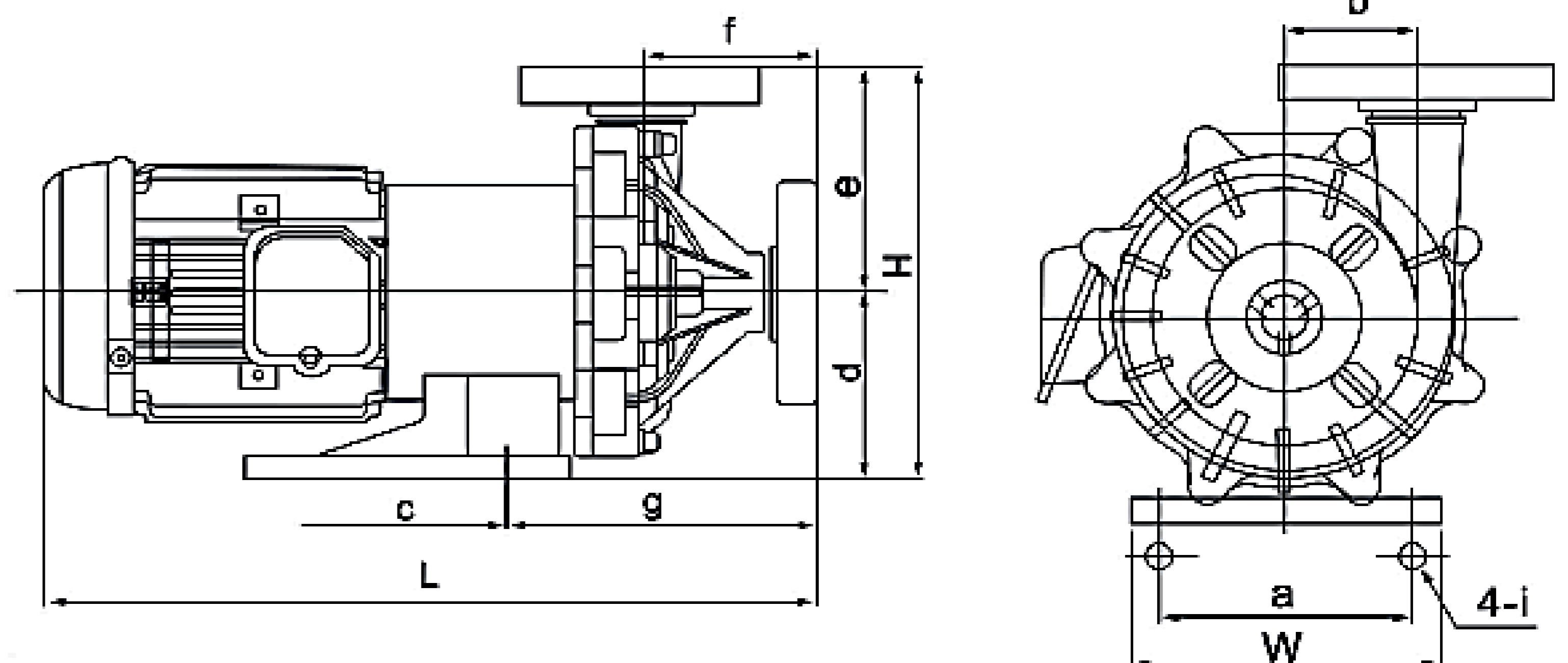


### Special Specification

Installation status :	Horizontal
Variable frequency :	NONE

### Materials

1- Front Casing:	CFRPP
2- Impellerr:	CFRPP
3- Rear Casing:	CFRPP
4- Magnet Capsule:	PP
5- O-ring	FKM ( EPDM )
6- Stationery Bush:	Silicon Carbide
7- Rotation:	Silicon Carbide
8- Rear Thrust:	CFRPP
9- Mouth Ring:	PTFE
10- Liner Ring:	Alumina Oxide
11- Lock Pin:	CFRPP
12- Inner Flange:	CFRPP
13- Outer Flange:	CFRPP



### Applicant :

Corrosive Acids, Alkalis, Solvents, Brines,  
 Plating Solutions, Sterile Solutions, and other  
 Mildly Corrosive Chemicals and Solutions that are  
 Compatible with the Pumps Material of Constructin

### Dimention

	in	mm
A		110
B		54
C		98
D		95
E		130
F		87
G		150
I		12
W		140
H		255
L		452

Net Weight : 16 Kg

Standard Approve :

CE



REV : 2021/02