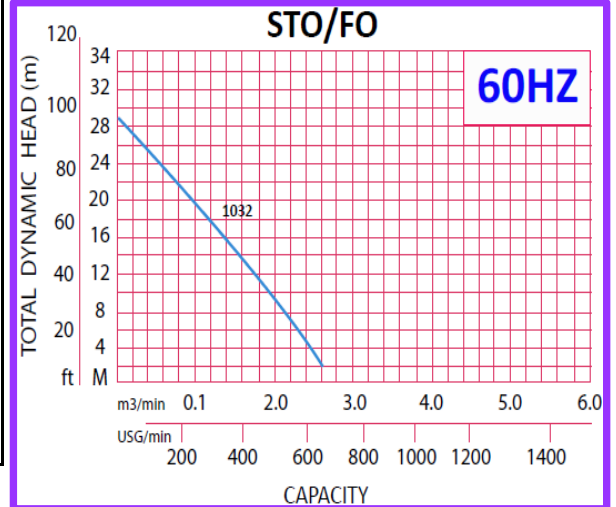


### Pump Data

Brand :	Gol Pump		
Model :	GSTO-1032		
Head Rate :	66 FEET	Flow Rate:	266 GPM
Head Max:	100 FEET	Flow Max:	693 GPM
Head Min:	6 FEET	Flow Min :	5 GPM
RPM :	1800		
Normal Power P1 :	10 HP		
Fluid:	Water		
Fluid Temperature:	at about 25 °C		
Density:	water 997 kg/m <sup>3</sup>		
Fluid Viscosity:	8.90 × 10 <sup>-4</sup> Pa·s		
With Float switch	NONE		
Self Priming	Submersible		
Delivery size	4" NPT		
Suction size	With Strainer		
Made in :	TAIWAN		



### Motor Data

Power P2:	*		
Power P1:	7.5 KW		
Phase (PH):	3		
Rate Voltage :	480 V		
Capacitor Need :	*	µF	
Ferequency :	60 Hz		
Rated Speed (rpm):	1800 rpm		
Current (A):	7.7 A		
Cos φ :	0.85		
Degree of Protection (IP):	IP 68		
Safety Protection Included:	E		
length of Cable :	5.5 × 10	mm2×m	
Kind of Plug :	NONE		
Ambient Temp :	40°C = 104°F		

### Other Pump Data

Impeller Size (mm) :	*		
Pressuer Rating :	PN 16		
Min. Fluid Temp :	10°C = 50°F		
Max. Fluid Temp :	40°C = 104°F		
Ambient Temp :	40°C = 104°F		
Humidity % :	100%		

### Special Specification

Installation status :	Ver		
Variable frequency :	NONE		
Solid Passage	88 × 46	mm	

### Materials

Pump Body :	Cast Iron		
Support:	Cast Iron		
Impeller	Cast Iron		
Mechanical Seal:	Silicon Carbide		
Rubber	Steel		
Pump Shaft:	SUS 304		
Strainer	Cast Iron		
outer cover:	Cast Iron		
Motor:	Cast Iron		

### Shaft Seal

Type:	*		
Stationary Part	SUS 304		
Rotating Part	SUS 304		
Elastomer	Cast Iron		

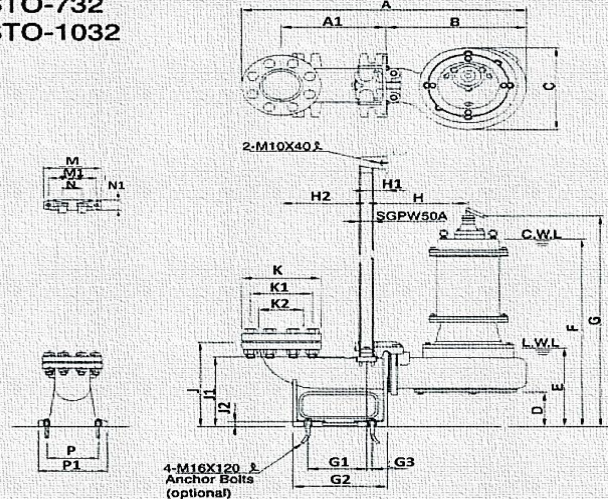
### Pump and Motor specification optional

With Booster System	None		
With Complack	None		
Special Material	None		
Specail Voltage	None		

### Protection system required

External Flout switch	NONE		
Minimum Starter	Starter SWT		

STO-732  
STO-1032



Weight : 197 Kg  
Standard Approve

### Applicant:

Dimention in  
mm

CSA		Effluent Pumping in Industrial Waste Water	A	899
		Treatment Plants Sewage Waste Water and Solid	A1	384
			B	430
			C	385
UL		Treatment in Various Factories and Building	D	116
			E	274
			F	742
			G	824
			G1	188
			G2	295
		Sites Food Processing Factory Confined	G3	27
			H	330
			H1	89
			H2	275
			K	210
			K1	175
CE		Livestock Feeding Industry Restaurants and	K2	Ø100
			M	296
			M1	249
			N	100
		Shops Markets and Super Markets	N1	60
			P	220
			P1	270
			J	323
J1	265			
J2	17			