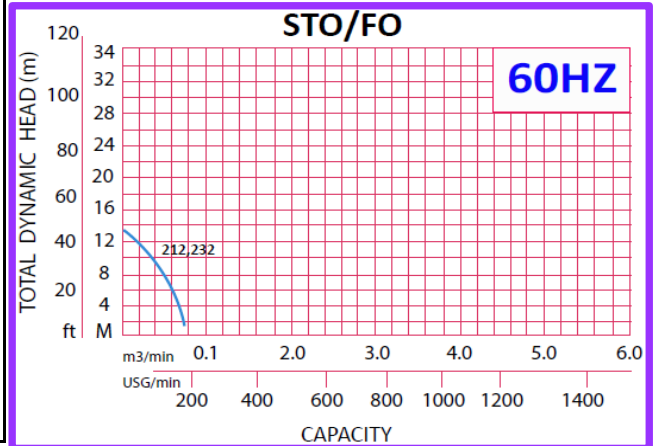


### Pump Data

Brand :	Gol Pump	
Model :	GSTO-212	
Head Rate :	23 FEET	Flow Rate: 133 GPM
Head Max:	46 FEET	Flow Max: 192 GPM
Head Min:	6 FEET	Flow Min : 5 GPM
RPM :	3600	
Normal Power P1 :	2 HP	
Fluid:	Water	
Fluid Temperature:	at about 25 °C	
Density:	water 997 kg/m <sup>3</sup>	
Fluid Viscosity:	8.90 × 10 <sup>-4</sup> Pa-s	
With Float switch	NONE	
Self Priming	Submersible	
Delivery size	3" NPT	
Suction size	With Strainer	
Made in :	TAIWAN	



### Motor Data

Power P2:	*	
Power P1:	1.5 KW	
Phase (PH):	1	
Rate Voltage :	240 V	
Capacitor Need :	*	µF
Ferequency :	60 Hz	
Rated Speed (rpm):	3600 rpm	
Current (A):	3.8 A	
Cos φ :	0.95	
Degree of Protection (IP):	IP 68	
Safety Protection Included:	E	
length of Cable :	3.5 × 10	mm2× m
Kind of Plug :	NONE	
Ambient Temp :	40°C = 104°F	

### Other Pump Data

Impeller Size (mm) :	*	
Pressuer Rating :	PN 16	
Min. Fluid Temp :	10°C = 50°F	
Max. Fluid Temp :	40°C = 104°F	
Ambient Temp :	40°C = 104°F	
Humidity % :	100%	

### Special Specification

Installation status :	Ver	
Variable frequency :	NONE	
Solid Passage	28	mm

### Materials

Pump Body :	Cast Iron
Support:	Cast Iron
Impeller	Cast Iron
Mechanical Seal:	Silicon Carbide
Rubber	Steel
Pump Shaft:	SUS 304
Strainer	Cast Iron
outer cover:	Cast Iron
Motor:	Cast Iron

### Shaft Seal

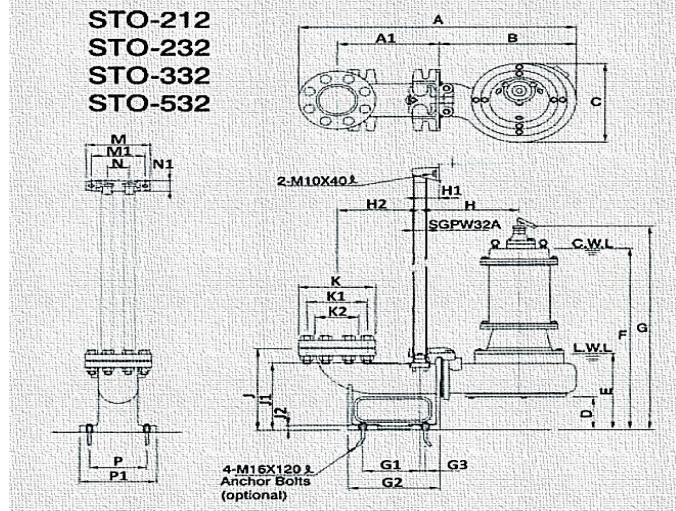
Type:	*
Stationary Part	SUS 304
Rotating Part	SUS 304
Elastomer	Cast Iron

### Pump and Motor specification optional

With Booster System	None
With Complack	None
Special Material	None
Specail Voltage	None

### Protection system required

External Flout switch	NONE
Minimum Starter	Starter SWT



Weight : 78 Kg  
Standard Approve

### Applicant:

Dimention in mm

CSA		Effluent Pumping in Industrial Waste Water	A	693
			A1	285
			B	303
			C	212
UL		Treatment Plants Sewage Waste Water and Solid	D	140
			E	217
			F	568
			G	618
		Treatment in Various Factories and Building	G1	155
			G2	250
			G3	15
			H	256
CE		Sites Food Processing Factory Confined	H1	60
			H2	225
			K	365
			K1	239
		Livestock Feeding Industry Restaurants and	K2	12
			M	234
			M1	195
			N	80
Shops Markets and Super Markets			N1	66
			P	170
			P1	220
			J	290
			J1	240
			J2	17