



Technical Data

Ring Blower Pump - BS-0212

Revision no.

Page:
1

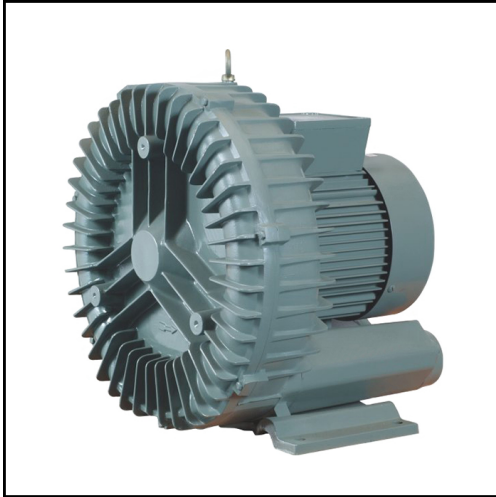
Receiver

From

Company name
Respons. Department
Person in charge
Phone number
Fax no
E-mail address

| |
|--|
| |
| |
| |
| |
| |

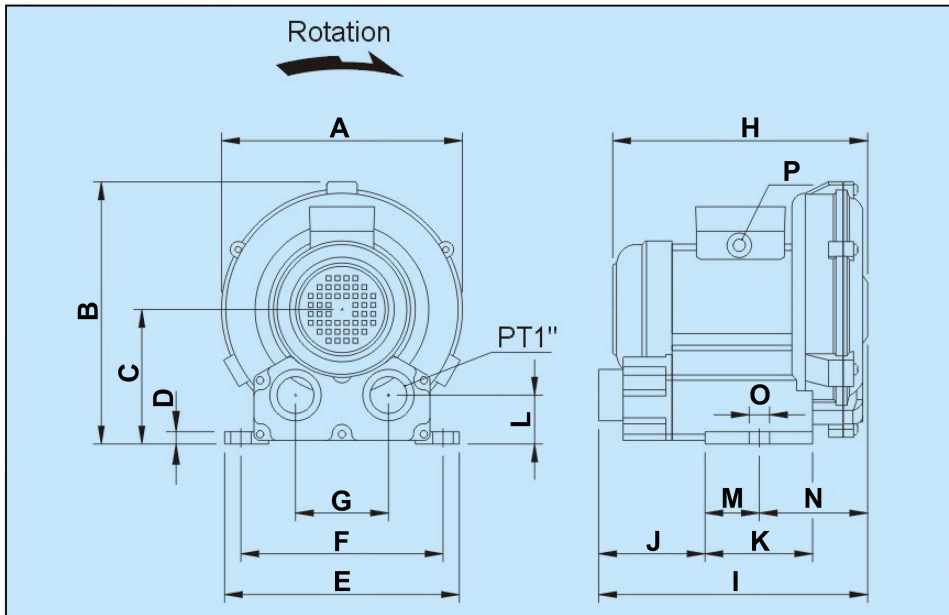
| |
|--|
| |
| |
| |
| |
| |



Brand: Gol Pumps
Model: BS-0212

| Weight (lb) |
|-------------|
| 15.4 |

Dimensions:



| Flange (inch) | |
|---------------|--------|
| Inlet | Outlet |
| 1 | 1 |

| Pump Installation Size (inch) | | | | | | | | | | | | | | | |
|-------------------------------|-----|-----|-----|-----|-----|-----|-----|-----|-----|-----|-----|-----|-----|-----|-----|
| A | B | C | D | E | F | G | H | I | J | K | L | M | N | O | P |
| 7.9 | 8.5 | 4.1 | 0.4 | 7.6 | 6.5 | 2.8 | 8.3 | 8.7 | 3.5 | 3.3 | 1.4 | 1.7 | 3.5 | 0.4 | 0.4 |

| | | | | |
|---------|------------|------------|------------|-------------|
| Project | Project ID | Created by | Created on | Last update |
|---------|------------|------------|------------|-------------|



Performance Curves

Ring Blower Pump - BS-0212

Revision no.

Page:
2

Receiver

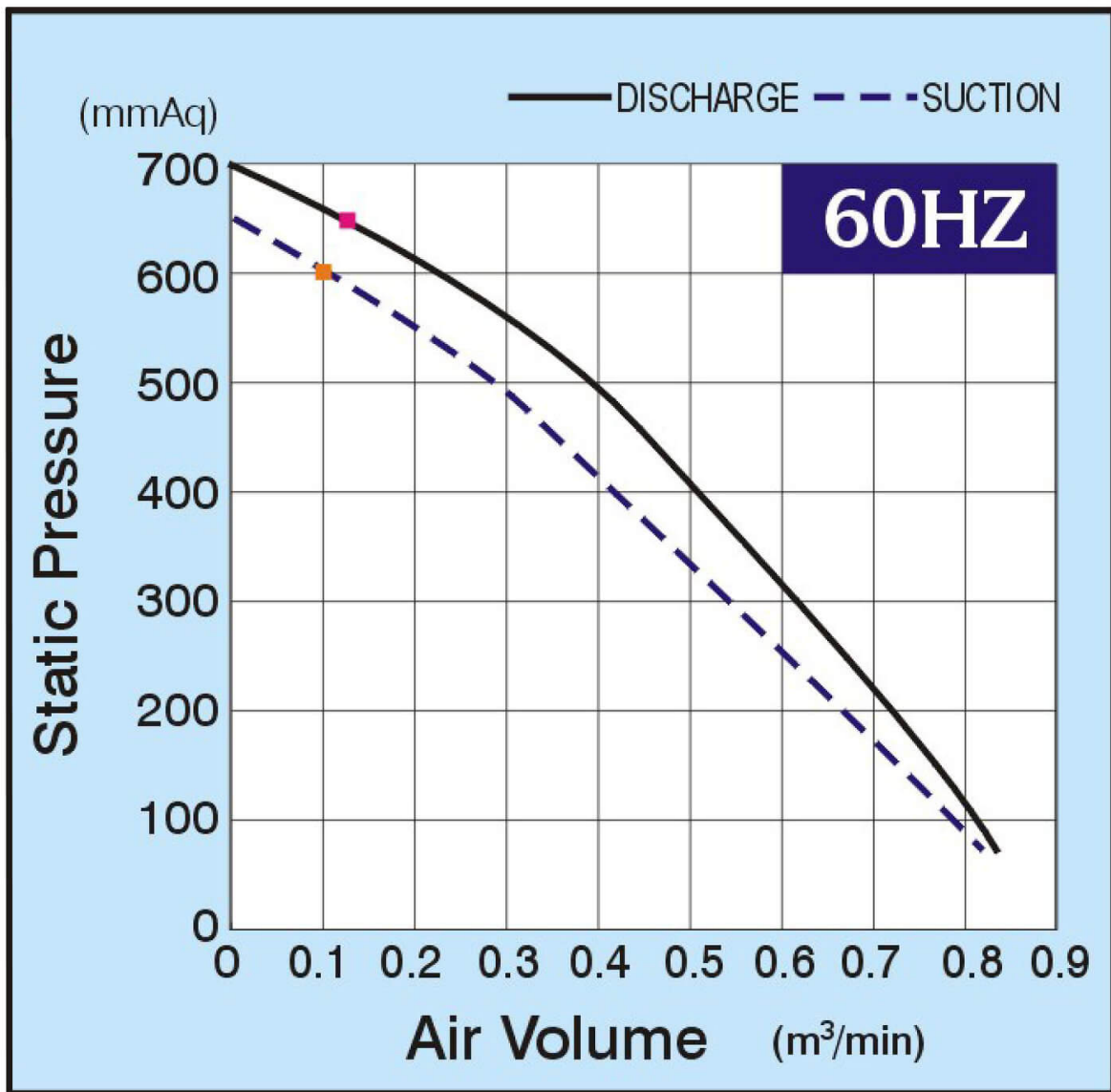
From

Company name
Respons. Department
Person in charge
Phone number
Fax no
E-mail address

| |
|--|
| |
| |
| |
| |
| |

| |
|--|
| |
| |
| |
| |
| |

| Model | Voltage | Phase | Power | | Discharge Diam. | Max. Continuous Duty Point | | | | Max. Discharge | | Noise |
|----------------|---------|-------|-------|-----|-----------------|----------------------------|-----|---------|-----|----------------|-------|--------|
| | | | hp | kw | | Discharge | | Suction | | m³/min | gpm | |
| | v | ph | hp | kw | in | m³/min | gpm | m³/min | gpm | m³/min | gpm | bB (A) |
| BS-0212 | 220 | 1 | 0.25 | 0.2 | 1 | 0.07 | 18 | 0.06 | 16 | 0.9 | 237.8 | 55 |



Project

Project ID

Created by

Created on

Last update