



Technical Data

Ring Blower Pump - BS-0512

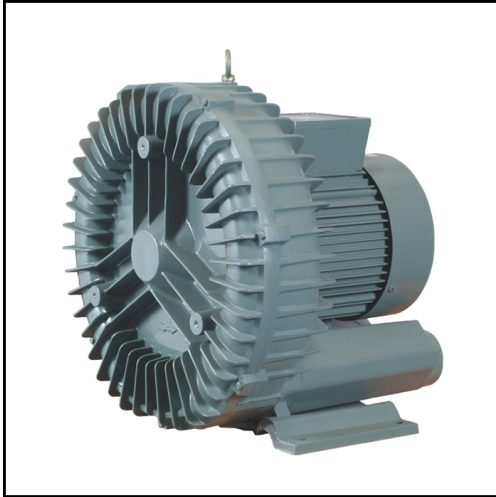
Revision no.

Page:
1

Receiver

From

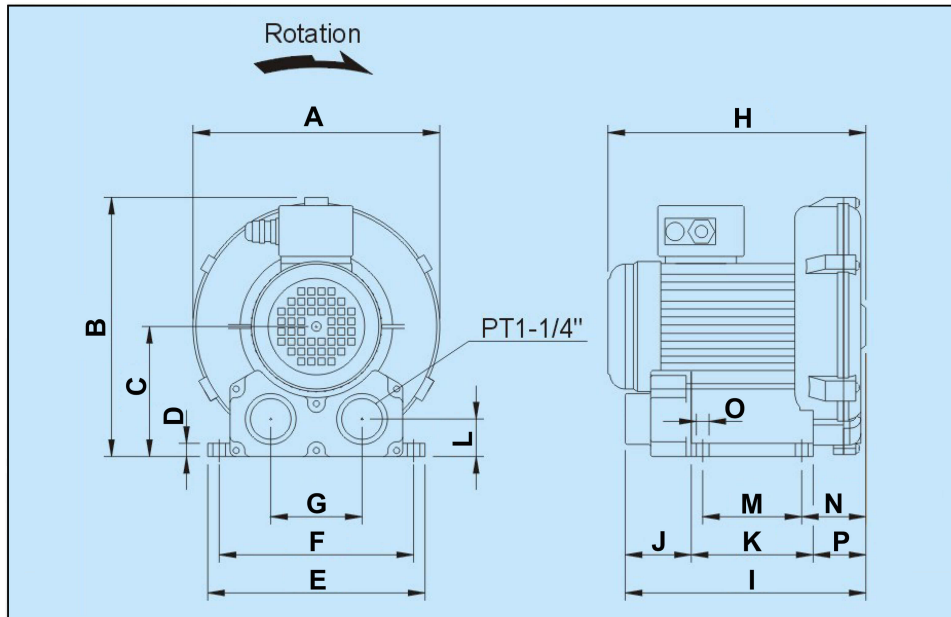
Company name
Respons. Department
Person in charge
Phone number
Fax no
E-mail address



Brand: Gol Pumps
Model: BS-0512

Weight (lb)
26.5

Dimensions:



Flange (inch)	
Inlet	Outlet
1.25	1.25

Pump Installation Size (inch)															
A	B	C	D	E	F	G	H	I	J	K	L	M	N	O	P
9.8	9.8	5.1	0.5	9.1	8.1	3.5	10	9.3	3.1	4.3	1.3	3.3	2.6	0.3	1.8

Project	Project ID	Created by	Created on	Last update
---------	------------	------------	------------	-------------



Performance Curves

Ring Blower Pump - BS-0512

Revision no.

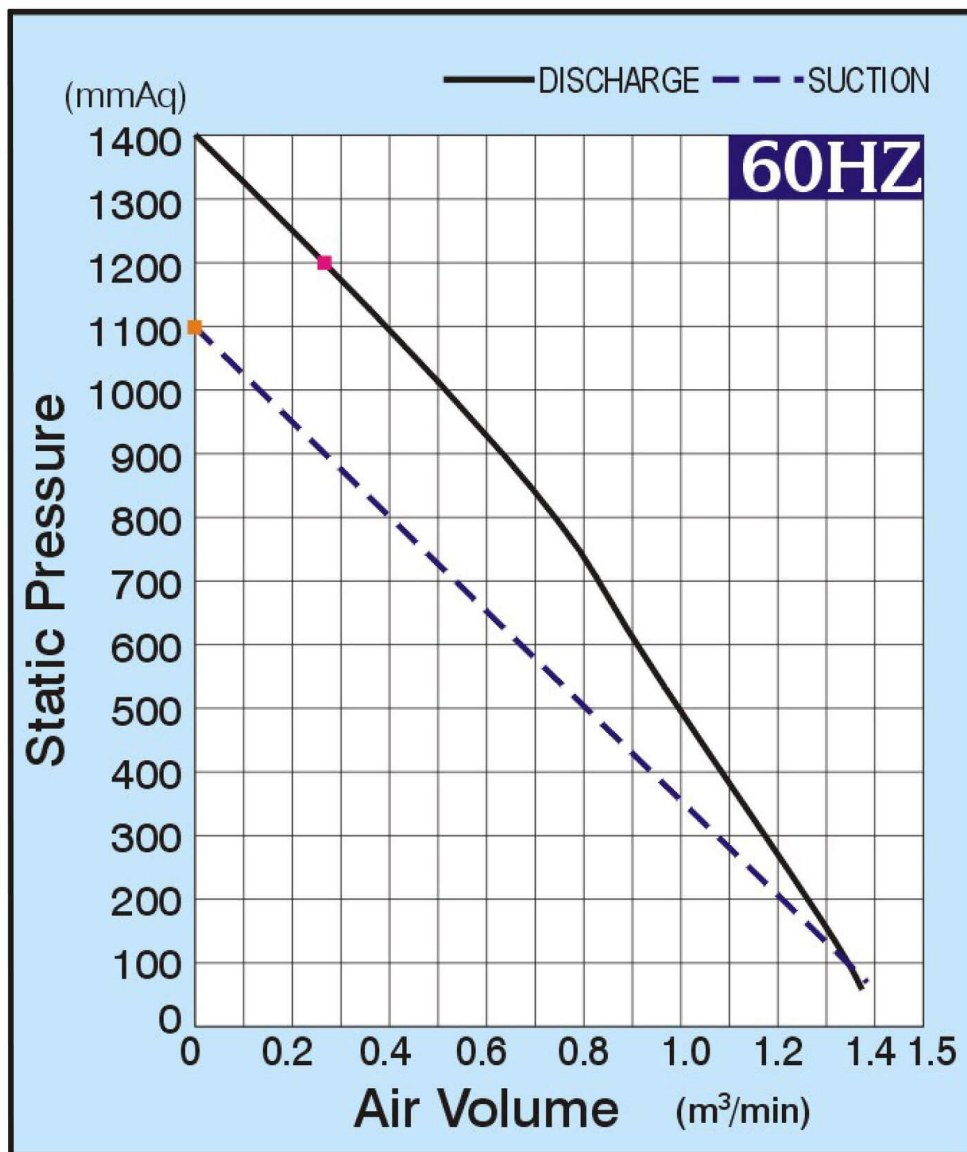
Page:
2

Receiver

From

Company name
Respons. Department
Person in charge
Phone number
Fax no
E-mail address

Model	Voltage	Phase	Power		Discharge Diam.	Max. Continuous Duty Point				Max. Discharge		Noise
						Discharge		Suction				
						v	ph	hp	kw	in	m ³ /min	
BS-0512	220	1	0.5	0.37	1.25	0.14	37	0.02	5	1.5	396.3	63



Project

Project ID

Created by

Created on

Last update