



Technical Data

Ring Blower Pump - BS-1532

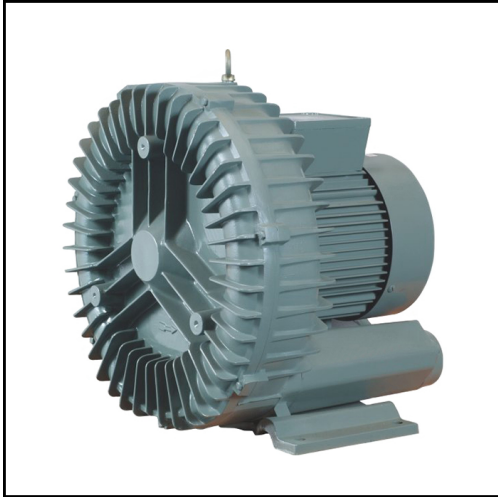
Revision no.

Page:
1

Receiver

From

Company name
Respons. Department
Person in charge
Phone number
Fax no
E-mail address

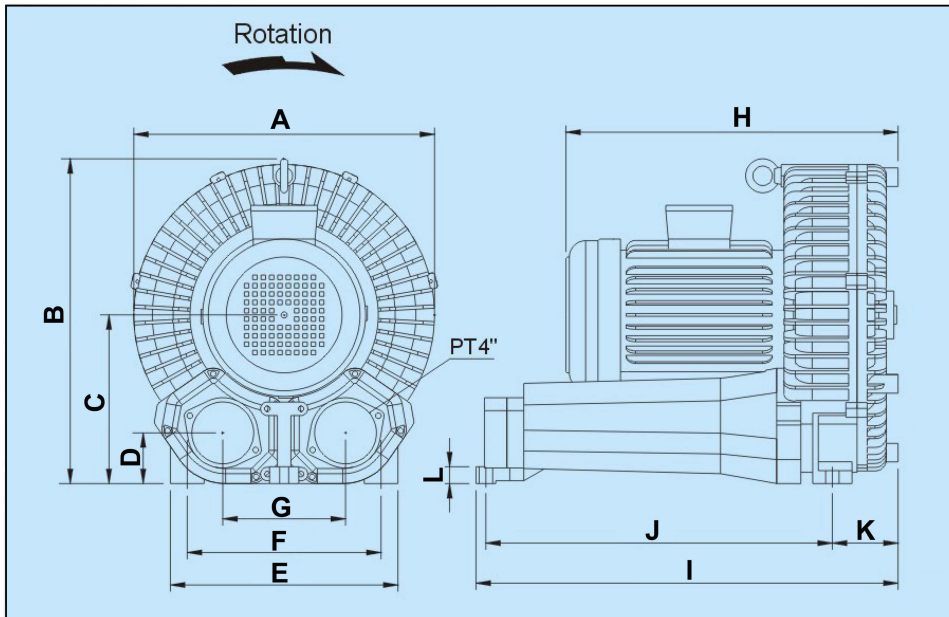


Brand: Gol Pumps
Model: BS-1532

Weight (lb)

271.2

Dimensions:



Flange (inch)	
Inlet	Outlet
4	4

Pump Installation Size (inch)											
A	B	C	D	E	F	G	H	I	J	K	L
21.7	22.6	11.8	3.5	15.9	14.2	8.3	23.2	28.7	24	3.7	0.9

Project

Project ID

Created by

Created on

Last update



Performance Curves

Ring Blower Pump - BS-1532

Revision no.

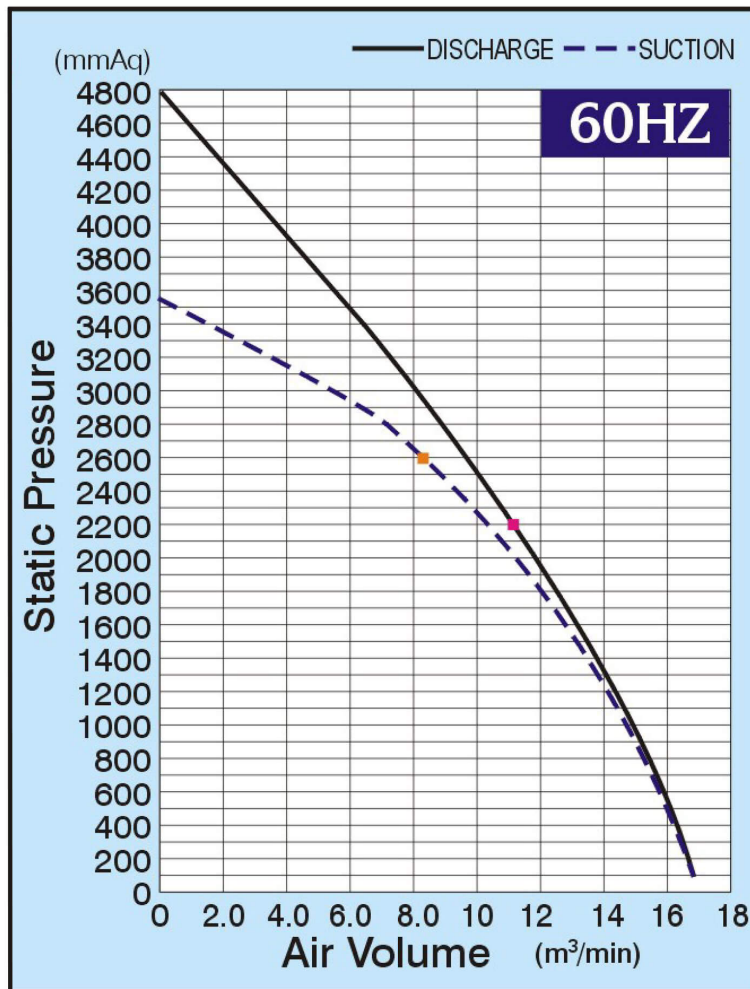
Page:
2

Receiver

From

Company name
Respons. Department
Person in charge
Phone number
Fax no
E-mail address

Model	Voltage	Phase	Power		Discharge Diam.	Max. Continuous Duty Point				Max. Discharge		Noise
						Discharge		Suction		m³/min	gpm	
	v	ph	hp	kw	in	m³/min	gpm	m³/min	gpm			
BS-1532	220-440	3	15	11	4	9.65	2549	8.63	2280	17	4491	87



Project

Project ID

Created by

Created on

Last update