



# Technical Data

## Ring Blower Pump - BS-212

Revision no.

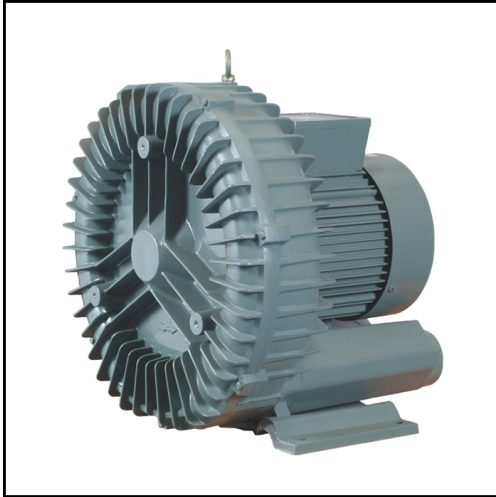
Page:  
1

Receiver

From

Company name  
Respons. Department  
Person in charge  
Phone number  
Fax no  
E-mail address



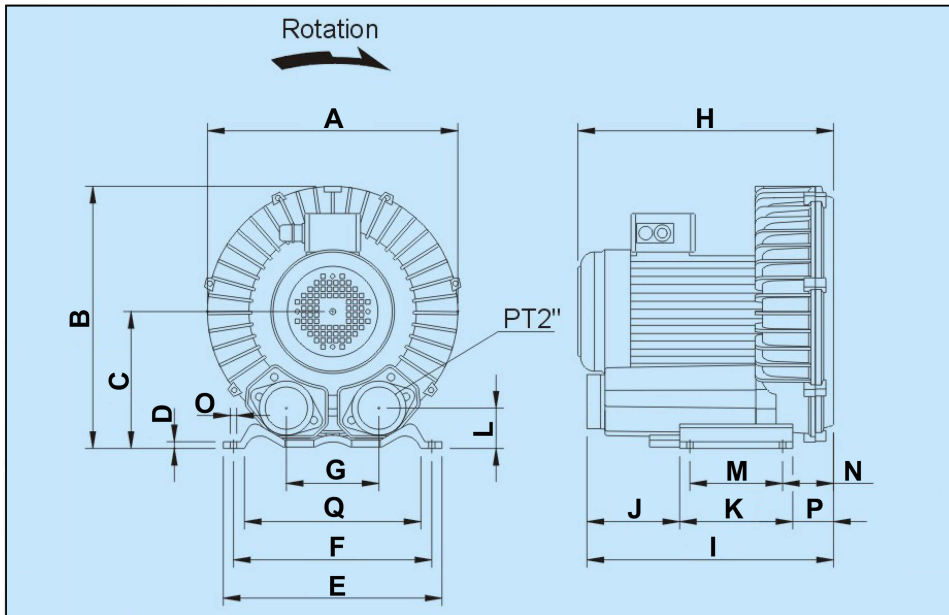


**Brand: Gol Pumps**  
**Model: BS-212**

**Weight (lb)**

59.5

**Dimensions:**



Flange (inch)	
Inlet	Outlet
2	2

Pump Installation Size (inch)																
A	B	C	D	E	F	G	H	I	J	K	L	M	N	O	P	Q
13.4	13.8	7.2	0.4	11.4	10.2	4.7	13.4	12.6	4.5	6	2.2	4.5	2.9	0.4	2.1	9.1

Project	Project ID	Created by	Created on	Last update
---------	------------	------------	------------	-------------



# Performance Curves

## Ring Blower Pump - BS-212

Revision no.

Page:  
2

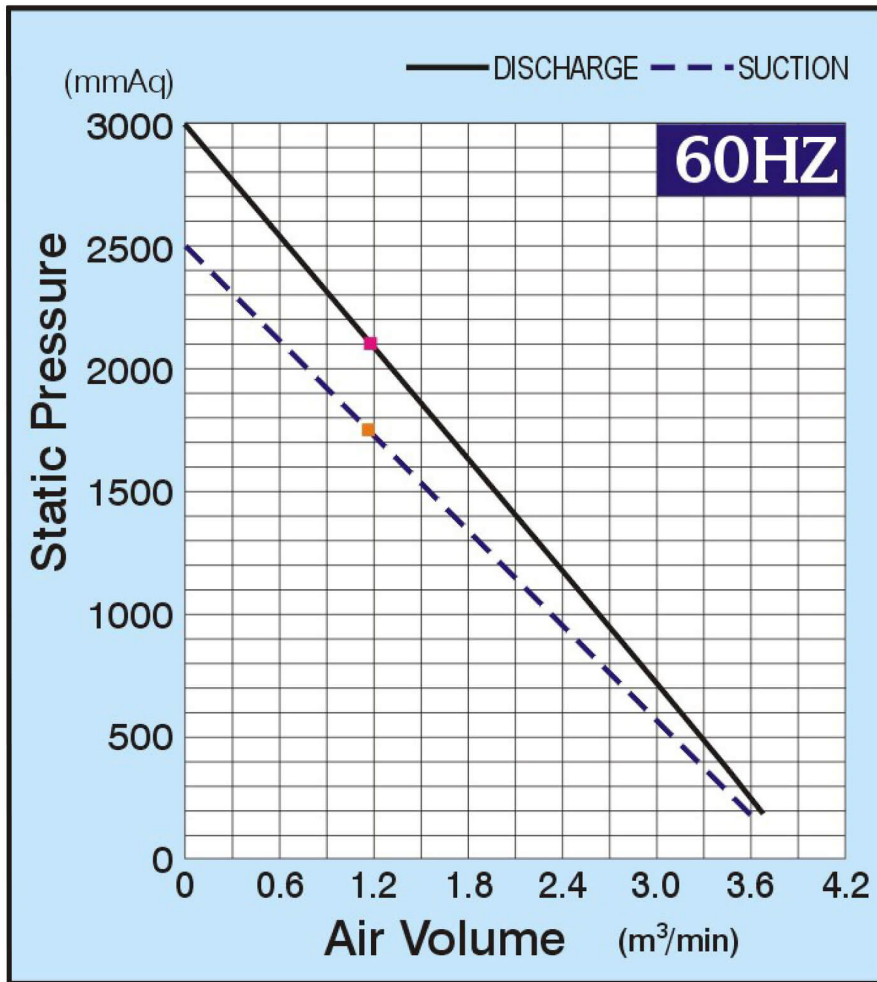
Receiver

From

Company name  
Respons. Department  
Person in charge  
Phone number  
Fax no  
E-mail address



Model	Voltage	Phase	Power		Discharge Diam.	Max. Continuous Duty Point				Max. Discharge		Noise
						Discharge		Suction				
						v	ph	hp	kw	in	m <sup>3</sup> /min	
<b>BS-212</b>	220	1	2	1.5	2	0.64	169	1.01	267	4	1056.7	78



Project

Project ID

Created by

Created on

Last update