



Technical Data

Ring Blower Pump - BS-232

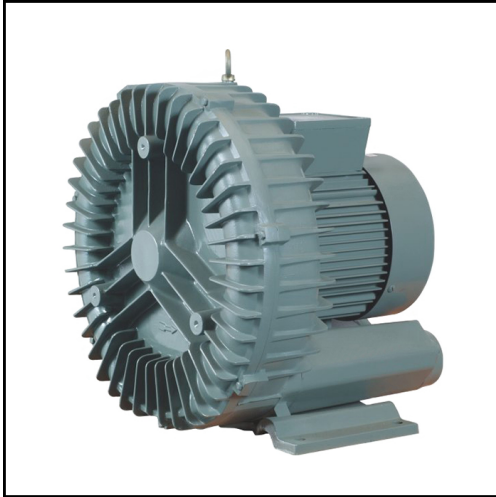
Revision no.

Page:
1

Receiver

From

Company name
Respons. Department
Person in charge
Phone number
Fax no
E-mail address

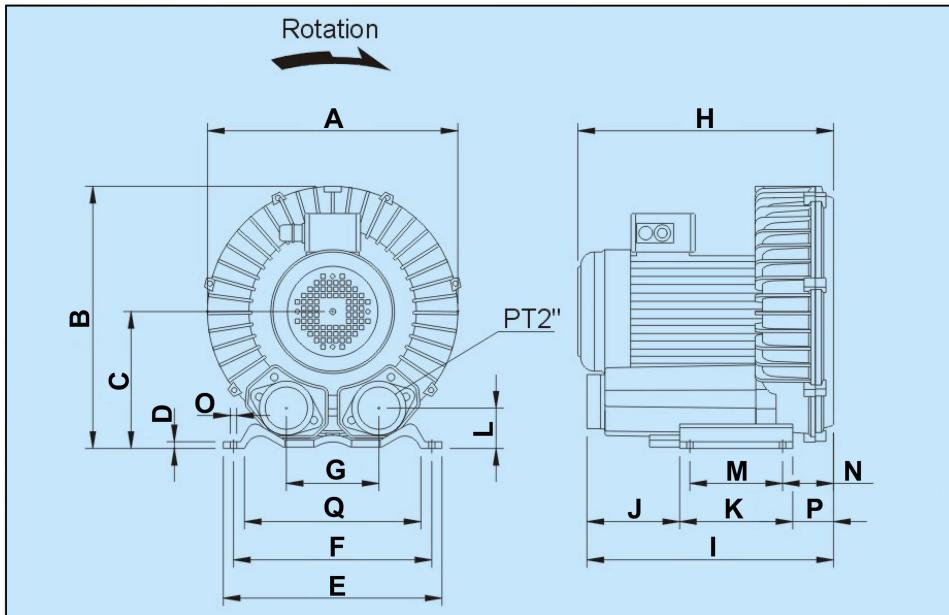


Brand: Gol Pumps
Model: BS-232

Weight (lb)

59.5

Dimensions:



Flange (inch)	
Inlet	Outlet
2	2

Pump Installation Size (inch)																
A	B	C	D	E	F	G	H	I	J	K	L	M	N	O	P	Q
13.4	13.8	7.2	0.4	11.4	10.2	4.7	13.4	12.6	4.5	6	2.2	4.5	2.9	0.4	2.1	9.1

Project	Project ID	Created by	Created on	Last update
---------	------------	------------	------------	-------------



Performance Curves

Ring Blower Pump - BS-232

Revision no.

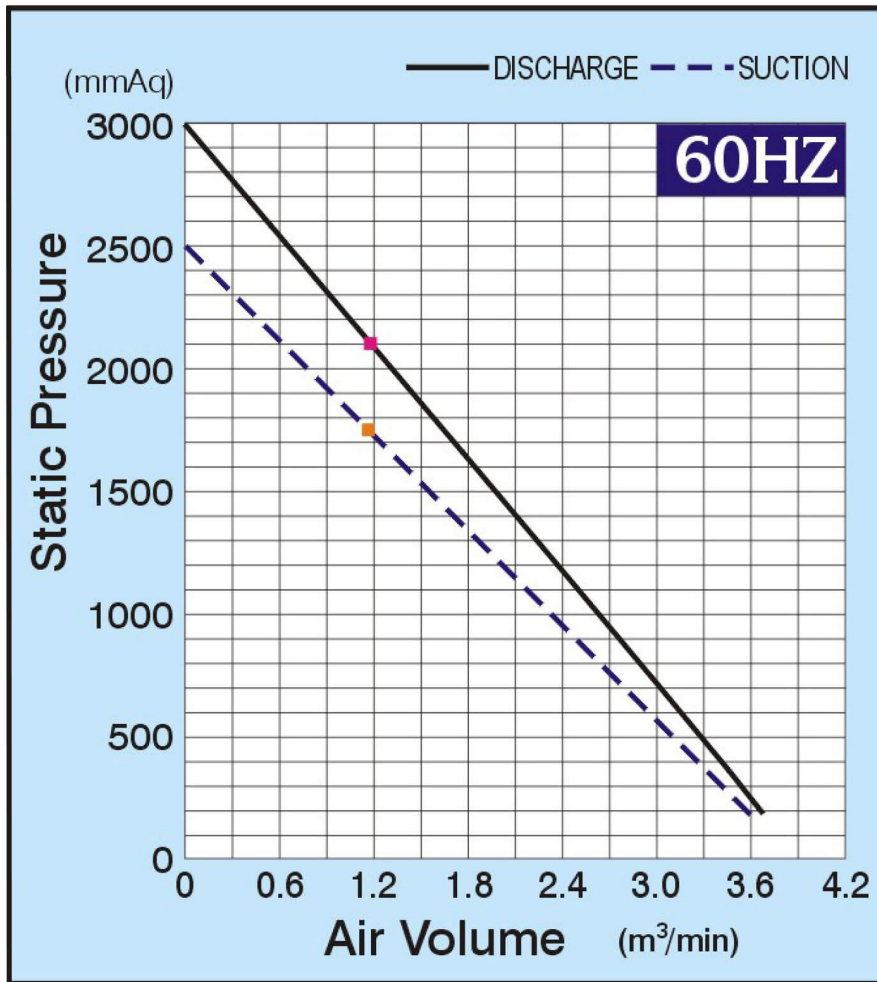
Page:
2

Receiver

From

Company name
Respons. Department
Person in charge
Phone number
Fax no
E-mail address

Model	Voltage	Phase	Power		Discharge Diam.	Max. Continuous Duty Point				Max. Discharge		Noise
						Discharge		Suction				
						v	ph	hp	kw	in	m ³ /min	
BS-232	220-440	3	2	1.5	2	0.64	169	1.01	267	4	1056.7	78



Project

Project ID

Created by

Created on

Last update