



# Technical Data

## Multi-Stage Horizontal Pump - CB 12-20

Revision no.

 Page:  
1

Receiver

From

 Company name  
 Respons. Department  
 Person in charge  
 Phone number  
 Fax no  
 E-mail address

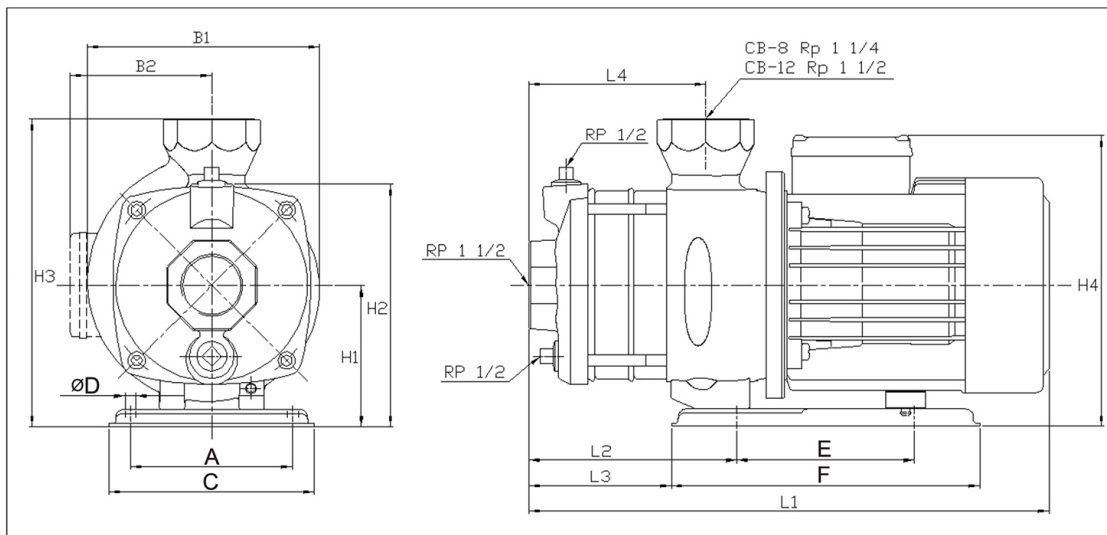



**Brand: Gol Pumps**
**Model: CB 12-20**
**Material: Cast Iron**

Enclosure class	IP54
Insulation class	F
Liquid temp. range	32 °F ~ +194 °F
Max. ambient temp.	+104 °F
Max. operating pressure	142 PSI
Max. inlet pressure is limited by Max. operating pressure	
Mechanical seal	CQBE

**The Max. operating pressure depends on the temp. of the pumped liquid**

<b>142 PSI</b>	<b>85 PSI</b>
32 °F to +131 °F	+133 °F to +194 °F

**Dimensions:**


Inlet	Outlet
1 1/2"	1 1/2"

Pump Installation Size (inch)															Weight
A	B1	B2	C	øD	H1	H2	H3	E	F	L1	L2	L3	L4	H4	lb
5	7.3	6	6.3	0.3	4.3	7.4	9.4	5.4	9.4	16.5	4	2	3	10.3	56.8

Project

Project ID

Created by

Created on

Last update



# Performance Curves

## Multi-Stage Horizontal Pump - CB 12-20

Revision no.

Page:  
 2

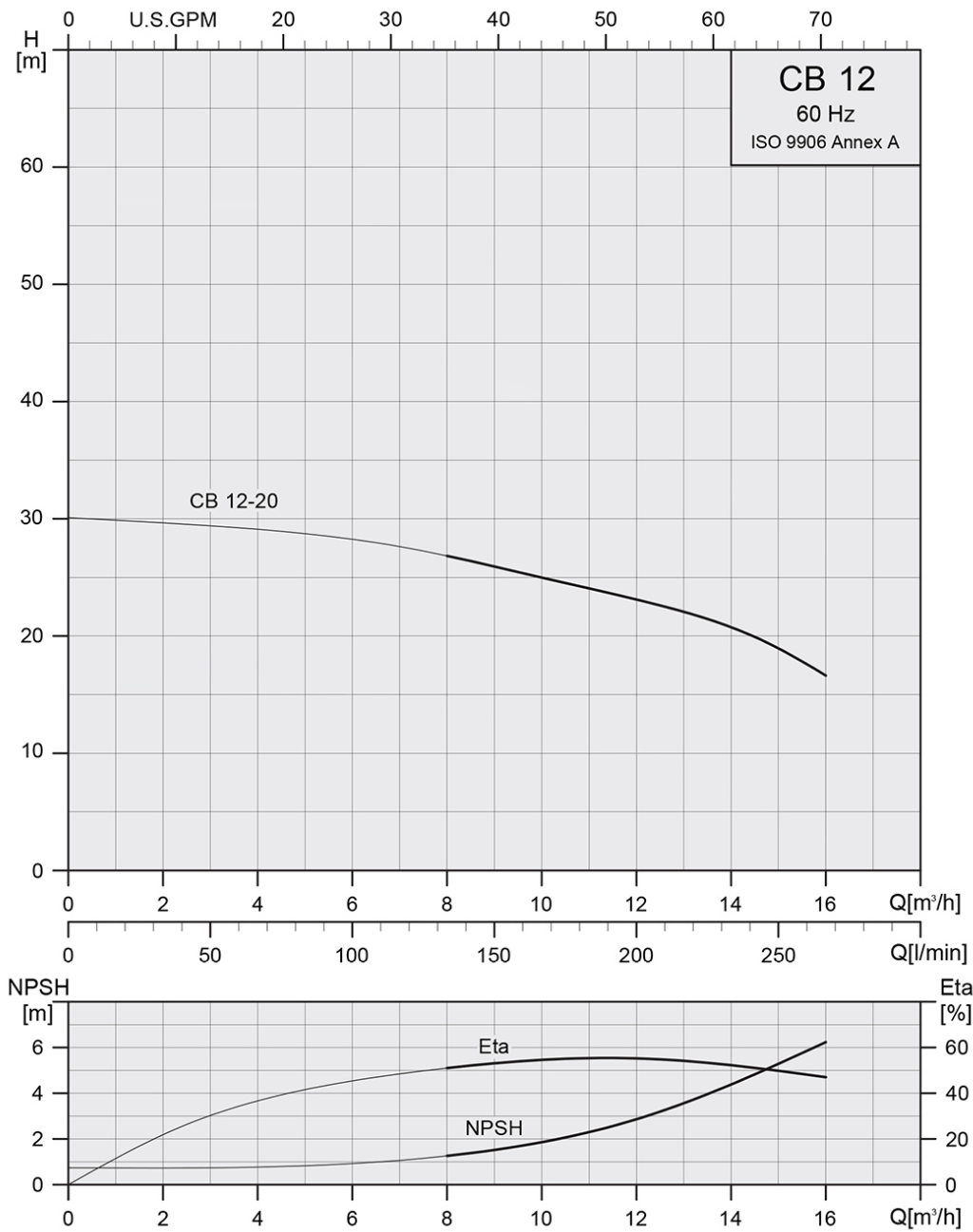
Receiver

From

Company name  
 Respons. Department  
 Person in charge  
 Phone number  
 Fax no  
 E-mail address



Model	Capacity			Head		Speed	Motor	Voltage	Phase	Amps	Eff.	(NPSH)r
	m <sup>3</sup> /h	l/m	gpm	m	ft	r/min	hp	v			%	ft
<b>CB 12-20</b>	16	268	70	30	98	3450	2	220	1	9.4	63	20.7



Project	Project ID	Created by	Created on	Last update
---------	------------	------------	------------	-------------