



# Technical Data

## Multi-Stage Horizontal Pump - CB 2-30

Revision no.

 Page:  
1

Receiver

From

 Company name  
 Respons. Department  
 Person in charge  
 Phone number  
 Fax no  
 E-mail address

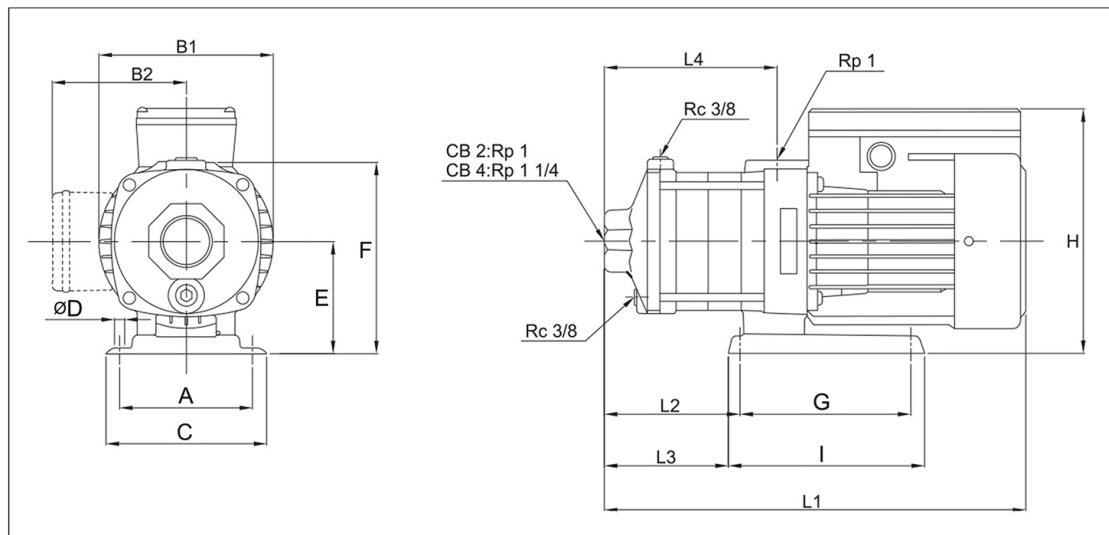
--	--


**Brand: Gol Pumps**
**Model: CB 2-30**
**Material: Cast Iron**

Enclosure class	IP54
Insulation class	F
Liquid temp. range	32 °F ~ +194 °F
Max. ambient temp.	+104 °F
Max. operating pressure	142 PSI
<b>Max. inlet pressure is limited by Max. operating pressure</b>	
Mechanical seal	CQBE

**The Max. operating pressure depends on the temp. of the pumped liquid**

<b>142 PSI</b>	<b>85 PSI</b>
32 °F to +104 °F	+106 °F to +194 °F

**Dimensions:**


Inlet	Outlet
1"	1"

Pump Installation Size (inch)														Weight
A	B1	B2	C	ØD	E	F	G	H	I	L1	L2	L3	L4	lb
4.3	5.6	5	5.1	0.3	3.6	6.1	5.4	9	6.3	12.9	3.7	3.2	4.7	24.4

Project

Project ID

Created by

Created on

Last update



# Performance Curves

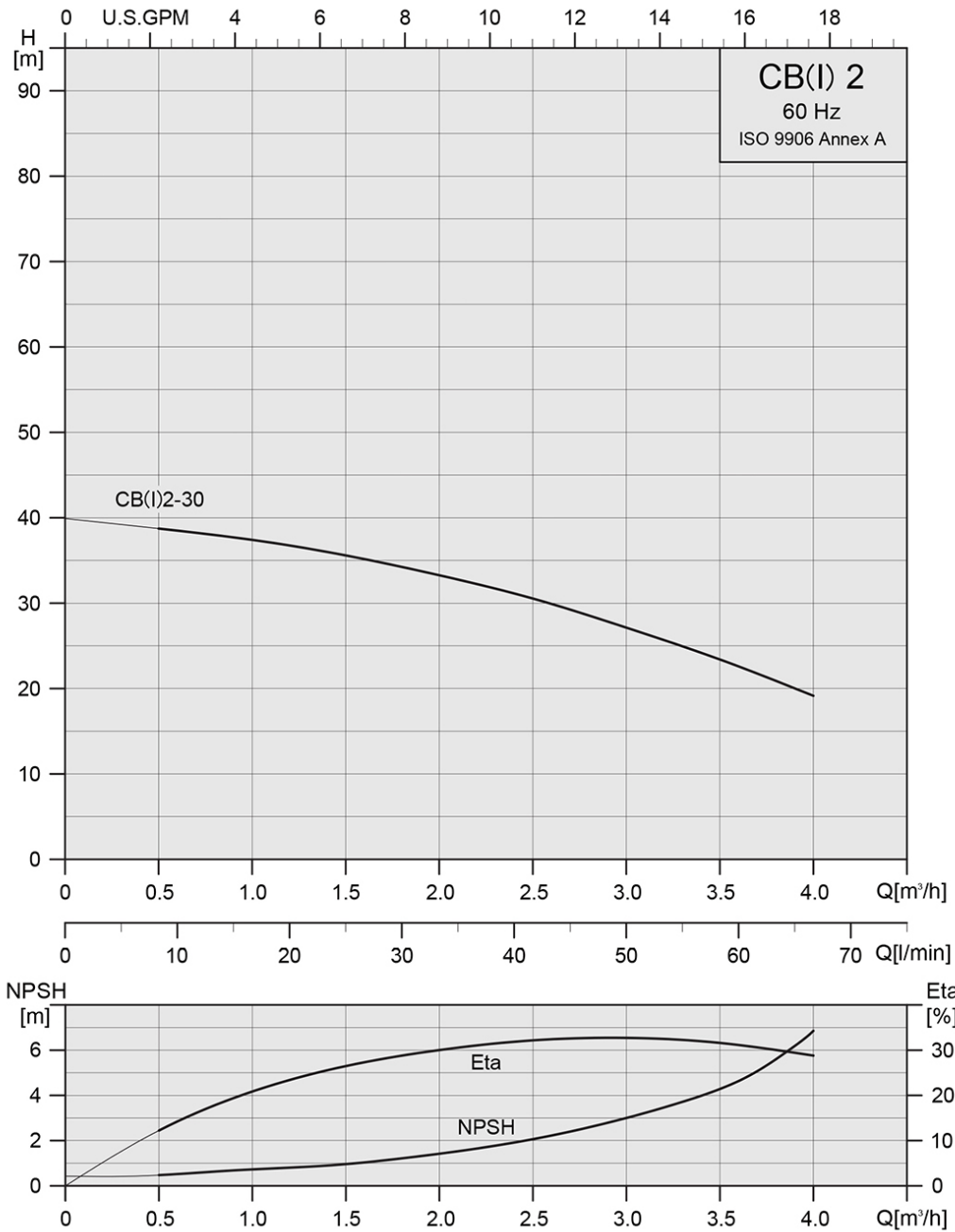
## Multi-Stage Horizontal Pump - CB 2-30

Revision no. \_\_\_\_\_  
 Page: 2

Receiver	From

Company name \_\_\_\_\_  
 Respons. Department \_\_\_\_\_  
 Person in charge \_\_\_\_\_  
 Phone number \_\_\_\_\_  
 Fax no \_\_\_\_\_  
 E-mail address \_\_\_\_\_

Model	Capacity			Head		Speed	Motor	Voltage	Phase	Amps	Eff.	(NPSH)r
	m <sup>3</sup> /h	l/m	gpm	m	ft	r/min	hp	v		%	ft	
CB 2-30	4	67	17.7	40	131.2	3450	0.5	110/220	1	7.9/4.1	35	23



Project	Project ID	Created by	Created on	Last update
---------	------------	------------	------------	-------------