



Technical Data

Multi-Stage Horizontal Pump - CB 8-40

Revision no.

 Page:
1

Receiver

From

 Company name
 Respons. Department
 Person in charge
 Phone number
 Fax no
 E-mail address

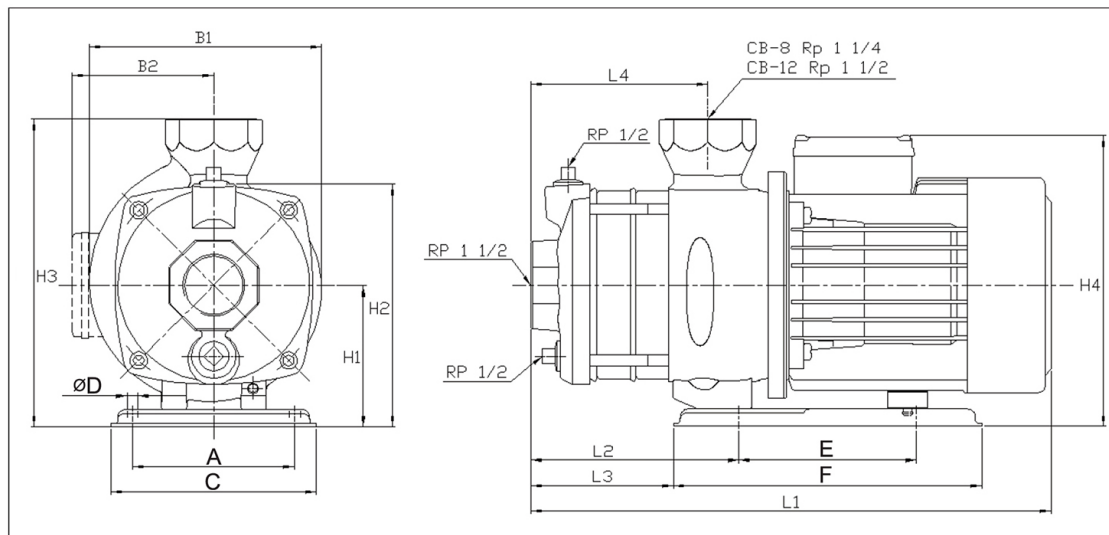
--	--


Brand: Gol Pumps
Model: CB 8-40
Material: Cast Iron

Enclosure class	IP54
Insulation class	F
Liquid temp. range	32 °F ~ +194 °F
Max. ambient temp.	+104 °F
Max. operating pressure	142 PSI
Max. inlet pressure is limited by Max. operating pressure	
Mechanical seal	CQBE

The Max. operating pressure depends on the temp. of the pumped liquid

142 PSI	85 PSI
32 °F to +131 °F	+133 °F to +194 °F

Dimensions:


Inlet	Outlet
1 1/2"	1 1/4"

Pump Installation Size (inch)															Weight
A	B1	B2	C	ØD	H1	H2	H3	E	F	L1	L2	L3	L4	H4	lb
5	7.3	6	6.3	0.3	4.3	7.4	9.4	5.4	9.4	17.7	5.2	3.2	4.2	10.3	59

Project

Project ID

Created by

Created on

Last update



Performance Curves

Multi-Stage Horizontal Pump - CB 8-40

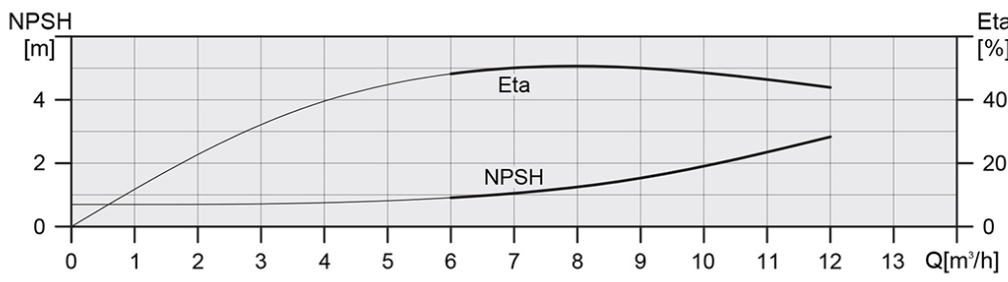
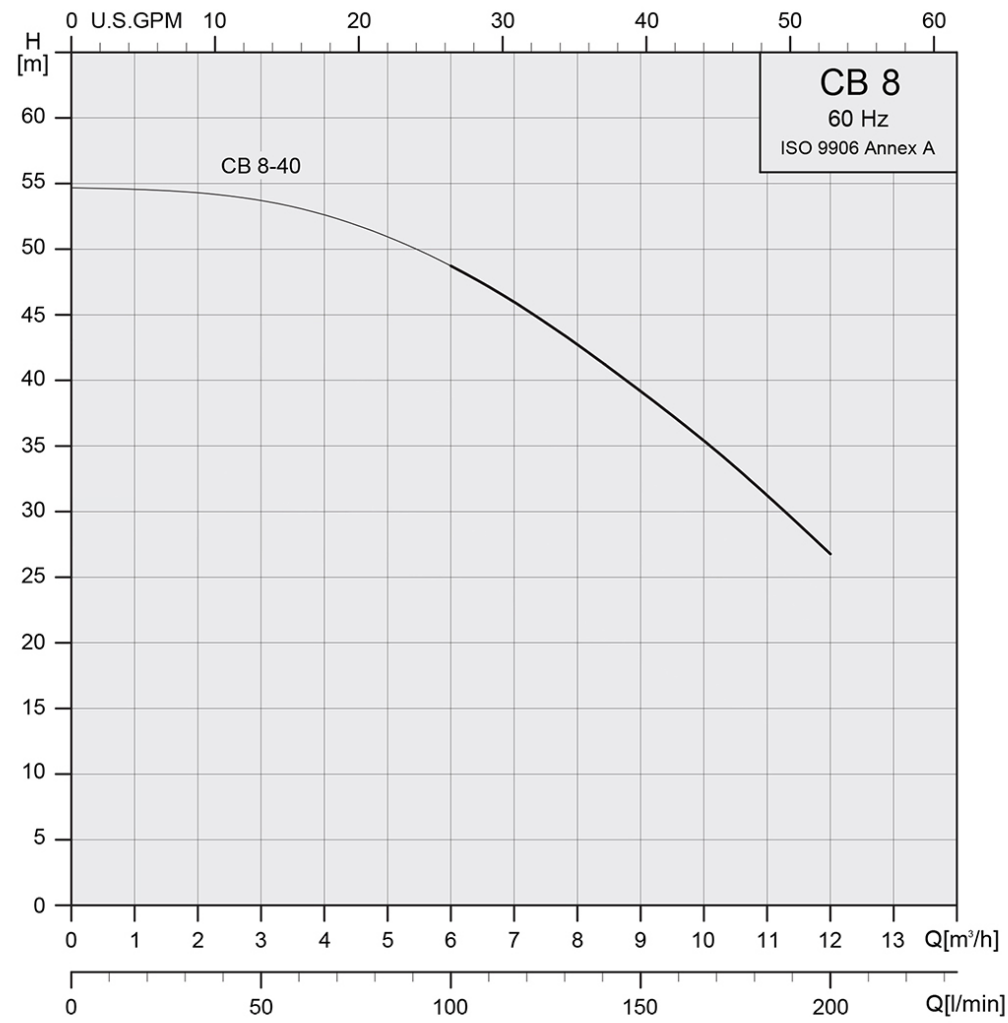
Revision no.

Page:
 2

Receiver _____ From _____

Company name _____
 Respons. Department _____
 Person in charge _____
 Phone number _____
 Fax no _____
 E-mail address _____

Model	Capacity			Head		Speed	Motor	Voltage	Phase	Amps	Eff.	(NPSH)r
	m ³ /h	l/m	gpm	m	ft	r/min	hp	v			%	ft
CB 8-40	12	200	53	54	177	3450	2	220	1	10.4	28	9.2



Project _____	Project ID _____	Created by _____	Created on _____	Last update _____
---------------	------------------	------------------	------------------	-------------------