



# Technical Data

## Multi-Stage Horizontal Pump - CBI 2-60

Revision no.

 Page:  
1

Receiver

From

 Company name  
 Respons. Department  
 Person in charge  
 Phone number  
 Fax no  
 E-mail address





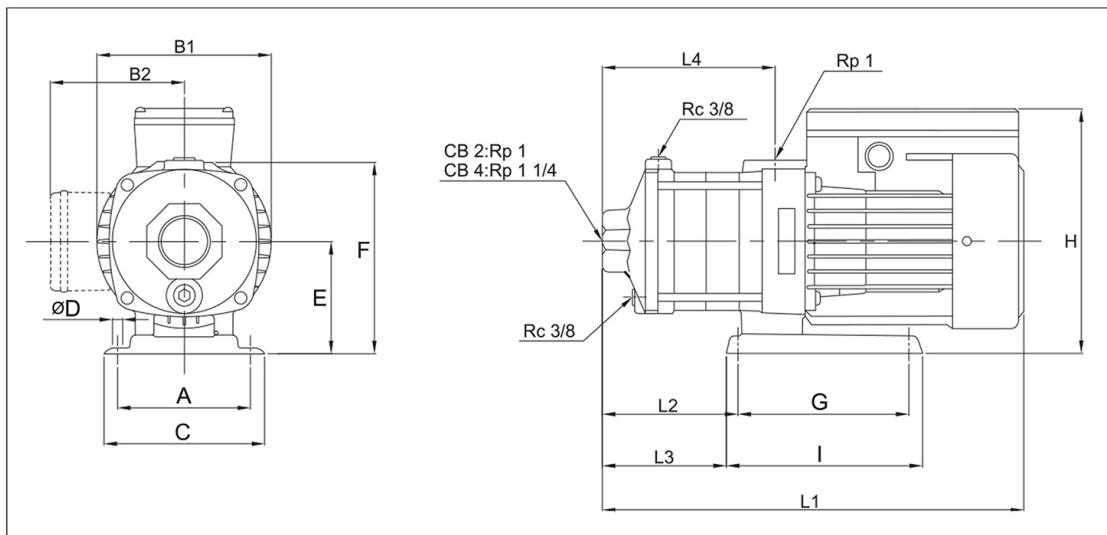
**Brand: Gol Pumps**  
**Model: CBI 2-60**  
**Material: Stainless Steel**

Enclosure class	IP54
Insulation class	F
Liquid temp. range	32 °F ~ +194 °F
Max. ambient temp.	+104 °F
Max. operating pressure	142 PSI
Max. inlet pressure is limited by Max. operating pressure	
Mechanical seal	CQBE

The Max. operating pressure depends on the temp. of the pumped liquid

142 PSI	85 PSI
32 °F to +104 °F	+106 °F to +194 °F

### Dimensions:



Inlet	Outlet
1"	1"

Pump Installation Size (inch)														Weight
A	B1	B2	C	ØD	E	F	G	H	I	L1	L2	L3	L4	lb
4.3	5.6	5	5.1	0.3	3.6	6.1	5.4	9	6.3	16.6	5.8	5.3	6.8	25.7

Project

Project ID

Created by

Created on

Last update



# Performance Curves

## Multi-Stage Horizontal Pump - CBI 2-60

Revision no.

Page:  
 2

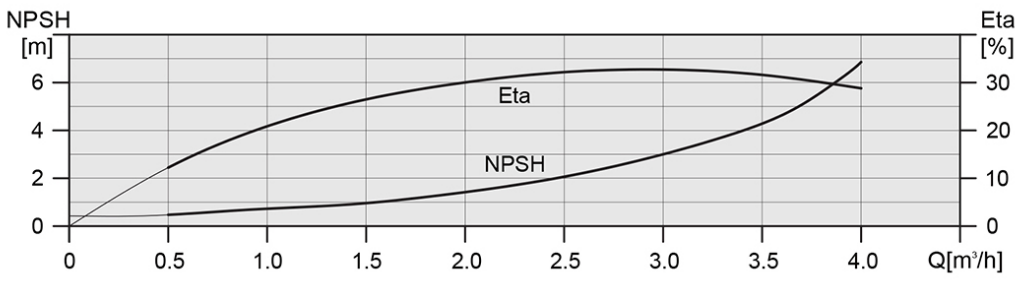
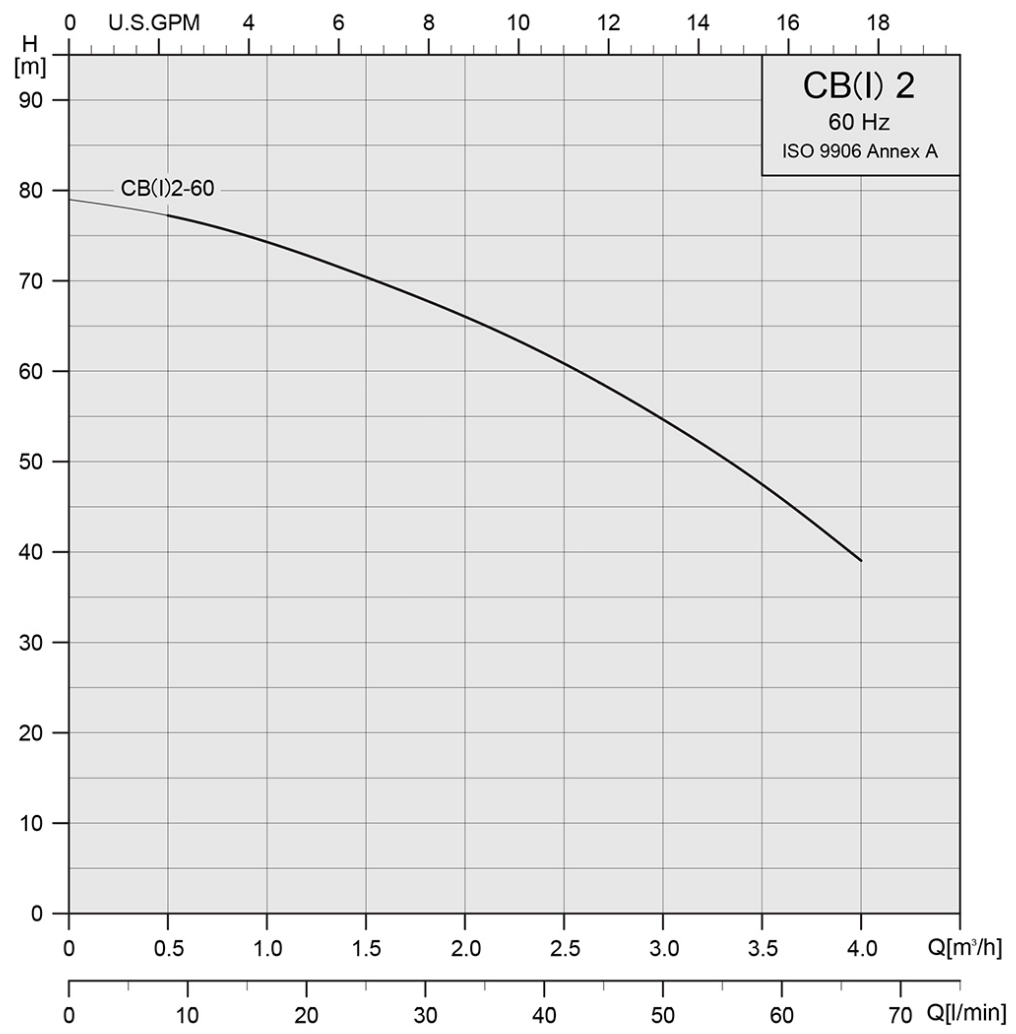
Receiver

From

Company name  
 Respons. Department  
 Person in charge  
 Phone number  
 Fax no  
 E-mail address



Model	Capacity			Head		Speed	Motor	Voltage	Phase	Amps	Eff.	(NPSH)r
	m <sup>3</sup> /h	l/m	gpm	m	ft	r/min	hp	v			%	ft
<b>CBI 2-60</b>	4	67	17.7	79	259	3450	1.5	220/460	3	3.7/6.6	35	23



Project	Project ID	Created by	Created on	Last update
---------	------------	------------	------------	-------------