



# Technical Data

## Multi-Stage Horizontal Pump - CBI 4-40

Revision no.

Page:  
 1

	Receiver	From
Company name		
Respons. Department		
Person in charge		
Phone number		
Fax no		
E-mail address		

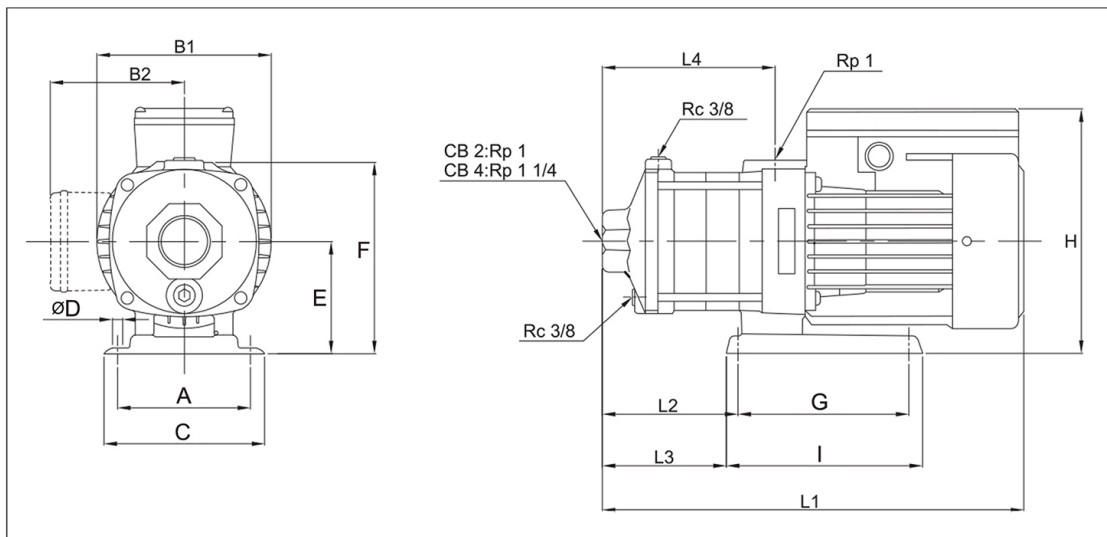


**Brand: Gol Pumps**  
**Model: CBI 4-40**  
**Material: Stainless Steel**

Enclosure class	IP54
Insulation class	F
Liquid temp. range	32 °F ~ +194 °F
Max. ambient temp.	+104 °F
Max. operating pressure	142 PSI
<b>Max. inlet pressure is limited by Max. operating pressure</b>	
Mechanical seal	CQBE

The Max. operating pressure depends on the temp. of the pumped liquid	
<b>142 PSI</b>	<b>85 PSI</b>
32 °F to +104 °F	+106 °F to +194 °F

### Dimensions:



Inlet	Outlet
1 1/4"	1"

Pump Installation Size (inch)														Weight
A	B1	B2	C	ØD	E	F	G	H	I	L1	L2	L3	L4	lb
4.3	5.6	5	5.1	0.3	3.6	6.1	5.4	9	6.3	16.2	5.4	5	6.5	28.2

Project	Project ID	Created by	Created on	Last update
---------	------------	------------	------------	-------------



# Performance Curves

## Multi-Stage Horizontal Pump - CBI 4-40

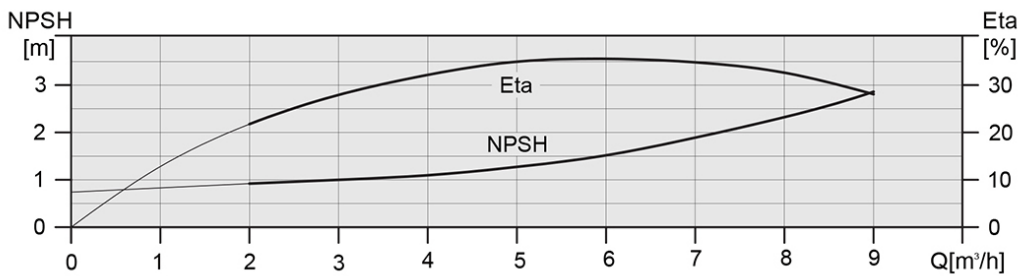
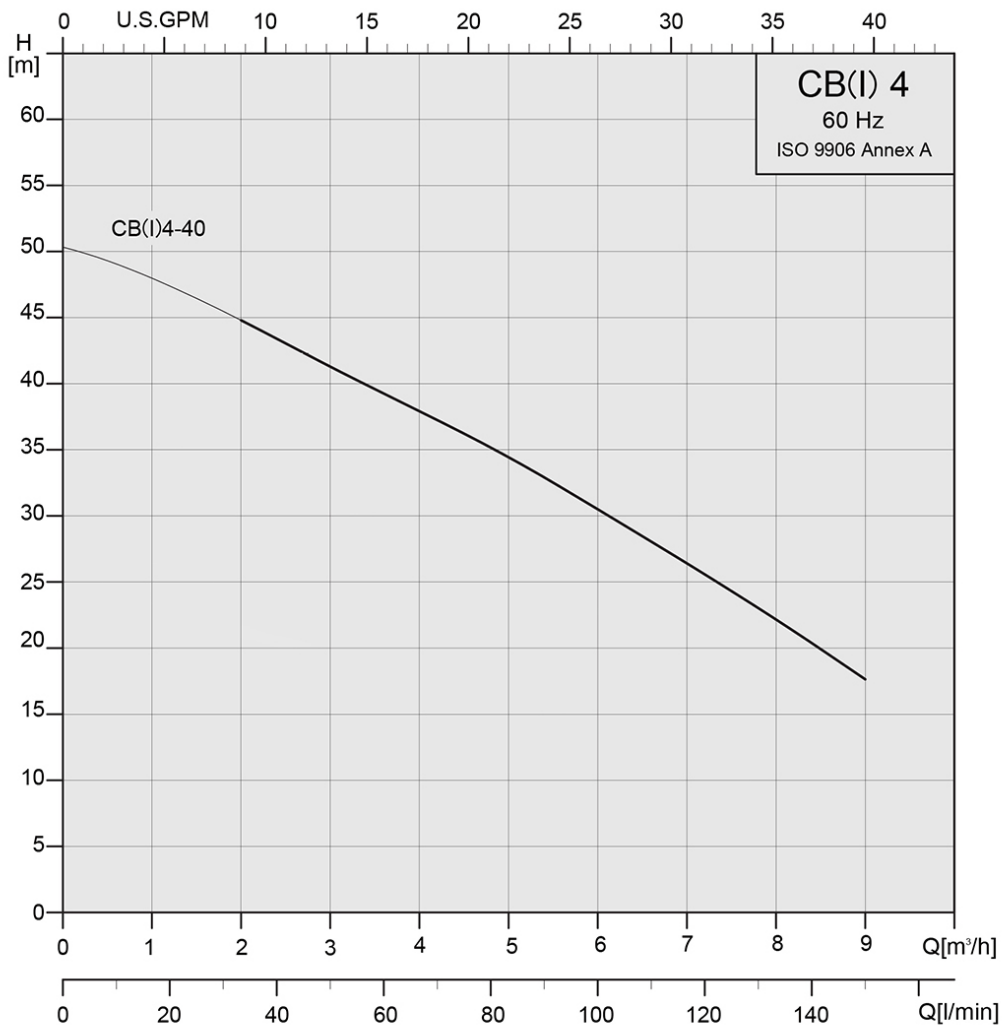
Revision no.

Page:  
2

Receiver	From
<input style="width: 100%; height: 15px;" type="text"/> <input style="width: 100%; height: 15px;" type="text"/> <input style="width: 100%; height: 15px;" type="text"/> <input style="width: 100%; height: 15px;" type="text"/>	<input style="width: 100%; height: 15px;" type="text"/> <input style="width: 100%; height: 15px;" type="text"/> <input style="width: 100%; height: 15px;" type="text"/> <input style="width: 100%; height: 15px;" type="text"/>

Company name  
 Respons. Department  
 Person in charge  
 Phone number  
 Fax no  
 E-mail address

Model	Capacity			Head		Speed	Motor	Voltage	Phase	Amps	Eff.	(NPSH)r
	m <sup>3</sup> /h	l/m	gpm	m	ft	r/min	hp	v		%	ft	
<b>CBI 4-40</b>	9	150	40	50	164	3450	1.5	220	1	8.3	28	9.5



Project	Project ID	Created by	Created on	Last update
---------	------------	------------	------------	-------------