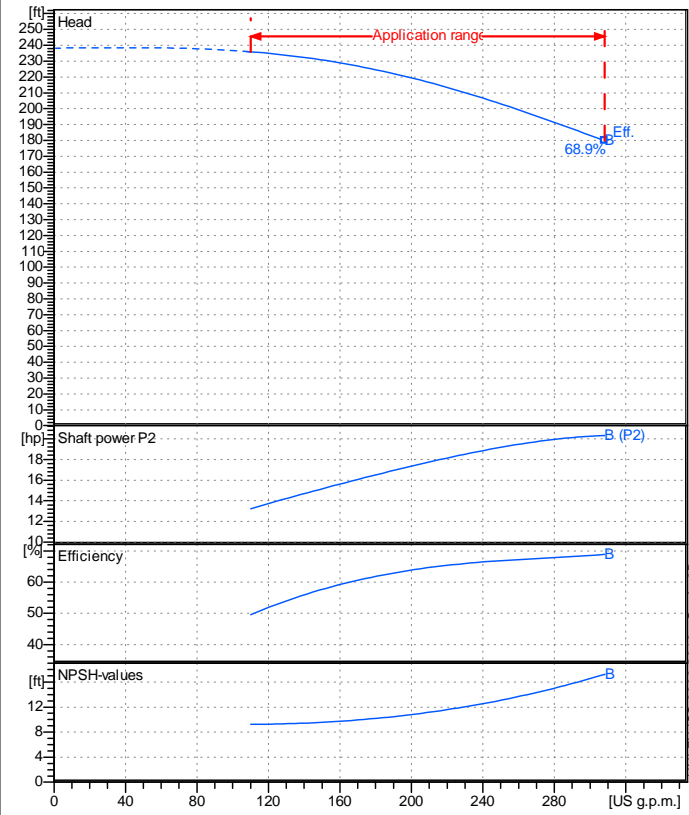


Company name  
 Respons. Department  
 Person in charge  
 Phone number  
 Fax no  
 E-mail address

Receiver	From



### Operating data specification

Nominal flow	US g.p.m. 0
Nominal head	ft 0
Static head	ft 0
NPSH - v value of plant	ft 0
Inlet pressure	psi 1.42
Fluid	Water, pure
Operating temperature t A	°F 68
Density at t A	lb/ft³ 62.32
Kin. viscosity at t A	ft²/s 1.082E-5

Pump			
Pump name	6MG2 50-200 B		
Size	50/32/200		
Design			
Speed rpm	3600	No of stages	1
Impeller type			
Flow	Nominal	US g.p.m.	
	Max-	US g.p.m.	308
	Min-	US g.p.m.	110
Head	Nominal	ft	
	Max-	ft	236
	Min-	ft	180
Head H(Q=0)	ft		238
NPSH 3%	ft		
Max. working pressure	psi		103
Shaft power	hp		
Efficiency	%		
Max absorbed power	hp		20.307

### Materials Pump

Shaft	Stainless steel AISI 431 (1.4057)		
Impeller	Cast iron EN-GJL-250		
Pump body	Cast iron EN-GJL-250		
Seal disc	Cast iron EN-GJL-250		
Gasket	Natural fiber		
Mechanical seal	BVEG (Grafito/Ossido Allumina/EPDM)		

### Dimensions in inch

a	3 <sup>15</sup> / <sub>16</sub>	z1	12 <sup>9</sup> / <sub>16</sub>
b	1 <sup>15</sup> / <sub>16</sub>	z2	10
d	14*4		
DNA	2 <sup>9</sup> / <sub>16</sub>		
DNM	1 <sup>15</sup> / <sub>16</sub>		
h1	6 <sup>5</sup> / <sub>16</sub>		
h2	7 <sup>7</sup> / <sub>8</sub>		
l	37 <sup>13</sup> / <sub>16</sub>		
m1	3 <sup>15</sup> / <sub>16</sub>		
m2	2 <sup>3</sup> / <sub>4</sub>		
n1	10 <sup>7</sup> / <sub>16</sub>		
n2	8 <sup>3</sup> / <sub>8</sub>		
s	9 <sup>9</sup> / <sub>16</sub>		
w	13 <sup>1</sup> / <sub>2</sub>		
x1	16 <sup>1</sup> / <sub>8</sub>		
x2	14 <sup>9</sup> / <sub>16</sub>		



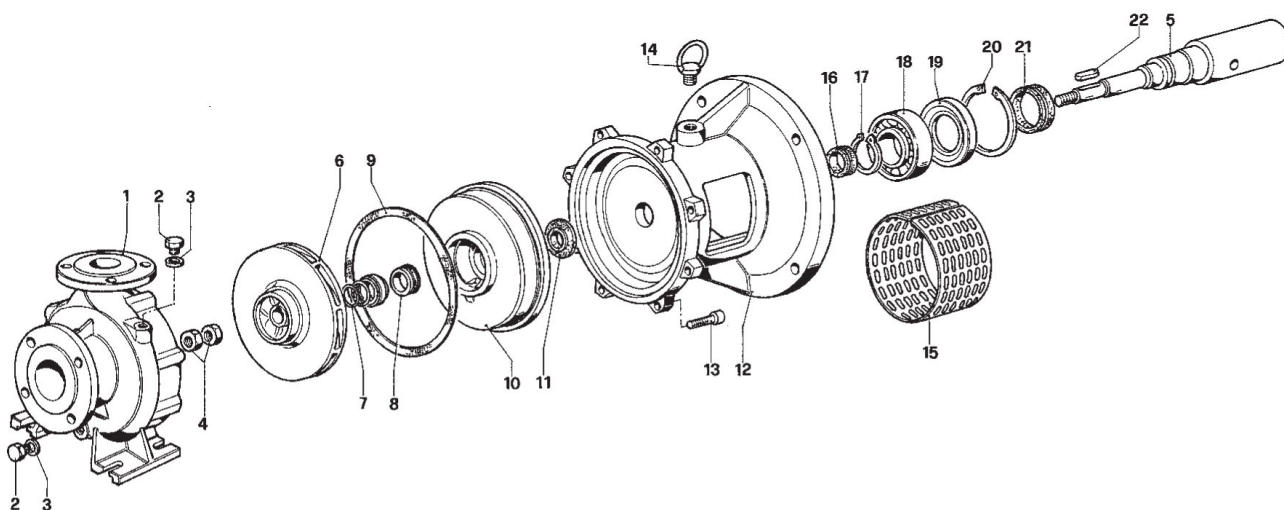
C	4	C	4 <sup>13</sup> / <sub>16</sub>
D	6 <sup>1</sup> / <sub>2</sub>	D	7 <sup>5</sup> / <sub>16</sub>
DN	1 <sup>15</sup> / <sub>16</sub>	DN	2 <sup>9</sup> / <sub>16</sub>
K	4 <sup>15</sup> / <sub>16</sub>	K	5 <sup>11</sup> / <sub>16</sub>
n°	3 <sup>3</sup> / <sub>16</sub>	n°	3 <sup>3</sup> / <sub>16</sub>
Øn	3 <sup>3</sup> / <sub>4</sub>	Øn	3 <sup>3</sup> / <sub>4</sub>

<b>Motor</b>	Frame size	160 M		
Manufacturer / Type	SAER	MEC160M-2P-15		
Rated power	hp	20.115	Efficiency 4/4	88.5 %
Electric current	A	24.7	Speed rpm	3600
Electric voltage	V	460 V	3~ Hz	60
Starting mode	Unknown			
Degree of protection	IP 55	Insulation class	F	

Remarks:				
Project	Project ID	Created by	Created on	Last update
			<b>2022-09-16</b>	



Company name  
Respons. Department  
Person in charge  
Phone number  
Fax no  
E-mail address

Project

Project ID

Created by

Created on  
**2022-09-16**

Last update