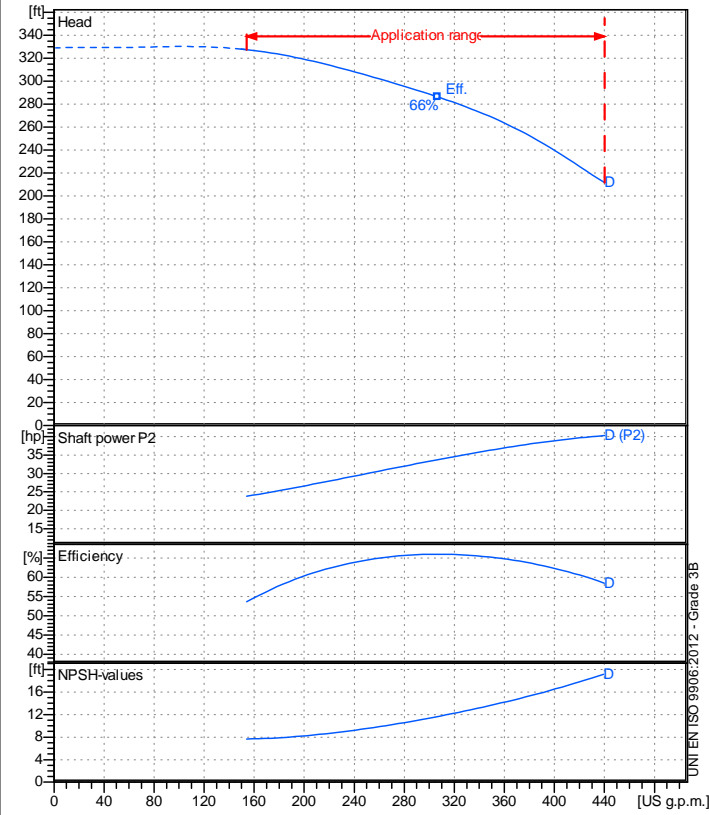


Company name  
 Respons. Department  
 Person in charge  
 Phone number  
 Fax no  
 E-mail address

Receiver	From



### Operating data specification

Nominal flow	US g.p.m. 0
Nominal head	ft 0
Static head	ft 0
NPSH - v value of plant	ft 0
Inlet pressure	psi 1.42
Fluid	Water, pure
Operating temperature t A	°F 68
Density at t A	lb/ft³ 62.32
Kin. viscosity at t A	ft²/s 1.082E-5

### Pump

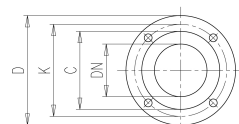
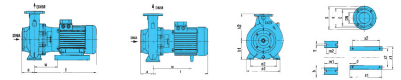
Pump name	6MGX2 50-250N D		
Size	50/32/200		
Design			
Speed rpm	3600	No of stages	1
Impeller type			
Flow	Nominal	US g.p.m.	
	Max-	US g.p.m.	440
	Min-	US g.p.m.	154
Head	Nominal	ft	
	Max-	ft	328
	Min-	ft	212
Head H(Q=0)	ft 329		
NPSH 3%	ft		
Max. working pressure	psi 142		
Shaft power	hp		
Efficiency	%		
Max absorbed power	hp 40.269		

### Materials Pump

Shaft	Duplex Stainless steel (1.4362)
Impeller	Precision cast Stainless steel AISI 316 (1.4408)
Pump body	Cast Stainless steel AISI 316 (1.4408)
Seal disc	Cast Stainless steel AISI 316 (1.4408)
Gasket	Natural fiber
Mechanical seal	Q1Q1VG (SiC/SiC/FPM)

### Dimensions in inch

a	3 <sup>15</sup> / <sub>16</sub>	z1	15 <sup>9</sup> / <sub>16</sub>
b	2 <sup>9</sup> / <sub>16</sub>	z2	12 <sup>1</sup> / <sub>2</sub>
d	14*4		
DNA	2 <sup>9</sup> / <sub>16</sub>		
DNM	1 <sup>15</sup> / <sub>16</sub>		
h1	7 <sup>1</sup> / <sub>16</sub>		
h2	8 <sup>7</sup> / <sub>8</sub>		
l	39 <sup>15</sup> / <sub>16</sub>		
m1	4 <sup>15</sup> / <sub>16</sub>		
m2	3 <sup>3</sup> / <sub>4</sub>		
n1	12 <sup>5</sup> / <sub>8</sub>		
n2	9 <sup>13</sup> / <sub>16</sub>		
s	9 <sup>9</sup> / <sub>16</sub>		
w	17 <sup>11</sup> / <sub>16</sub>		
x1	14 <sup>3</sup> / <sub>8</sub>		
x2	12		



C	4	C	4 <sup>13</sup> / <sub>16</sub>
D	6 <sup>1</sup> / <sub>2</sub>	D	7 <sup>5</sup> / <sub>16</sub>
DN	1 <sup>15</sup> / <sub>16</sub>	DN	2 <sup>9</sup> / <sub>16</sub>
K	4 <sup>15</sup> / <sub>16</sub>	K	5 <sup>11</sup> / <sub>16</sub>
n°	3 <sup>3</sup> / <sub>16</sub>	n°	3 <sup>3</sup> / <sub>16</sub>
ø n	3 <sup>3</sup> / <sub>4</sub>	ø n	3 <sup>3</sup> / <sub>4</sub>

### Motor

Motor	Frame size	200 L		
Manufacturer / Type	SAER	MEC200L-2P-30		
Rated power	hp	40.231	Efficiency 4/4	90.2 %
Electric current	A	50	Speed rpm	3600
Electric voltage	V	460 V	3~	Hz 60
Starting mode	Unknown			
Degree of protection	IP 55	Insulation class	F	

Remarks:

Project	Project ID	Created by	Created on	Last update
			2022-09-19	

Receiver

From

 Company name  
 Respons. Department  
 Person in charge  
 Phone number  
 Fax no  
 E-mail address

Operating area

Flow

Head

Impeller type

Operating data specification

0 US g.p.m.

0 ft

Impeller construction

Closed

Pump data

US g.p.m.

ft

Sense of rotation

Clockwise from the drive end

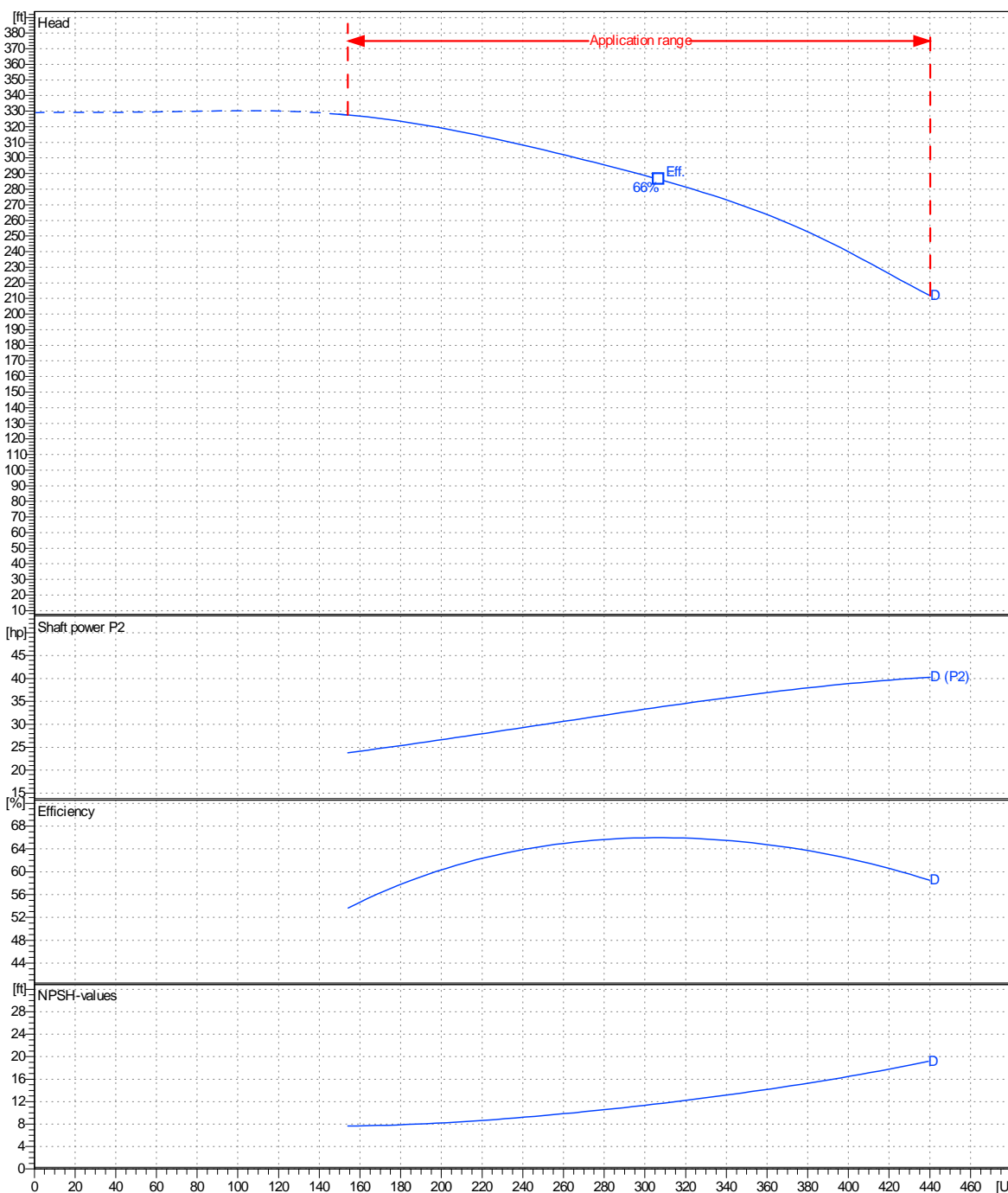
Outlet width

DN 50

	Flow			Head		Shaft power P2			Speed	rpm	3600
	Min.	Max.	$\eta$ Max.	H(Q=0)	$\eta$ Max.	P2(Q=0)	Max.	$\eta$ Max.	Frequency	Hz	60 Hz
	US g.p.m.	US g.p.m.	US g.p.m.	ft	ft	hp	hp	hp			
	154	440	307	329	286		40.3	33.7			

 Performance data based to: Water, pure [100%] ; 68°F; 62.3lb/ft<sup>3</sup>; 1.08E-5ft<sup>2</sup>/s

UNI EN ISO 9906:2012 - Grade 3B



Project

Project ID

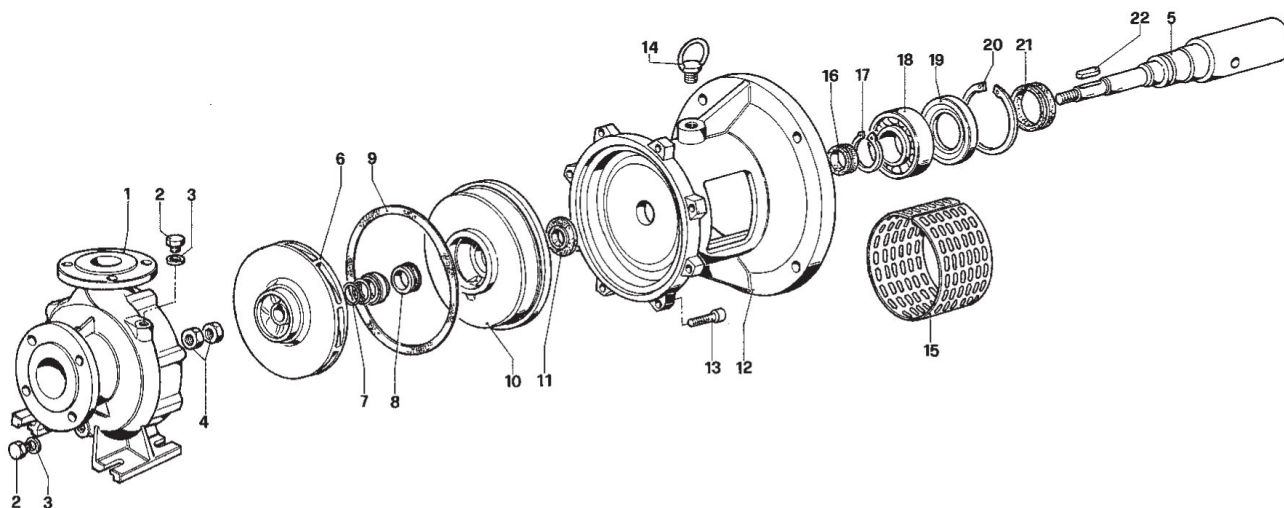
Created by

Created on

Last update

2022-09-19

Company name  
Respons. Department  
Person in charge  
Phone number  
Fax no  
E-mail address

Project

Project ID

Created by

Created on  
**2022-09-19**

Last update