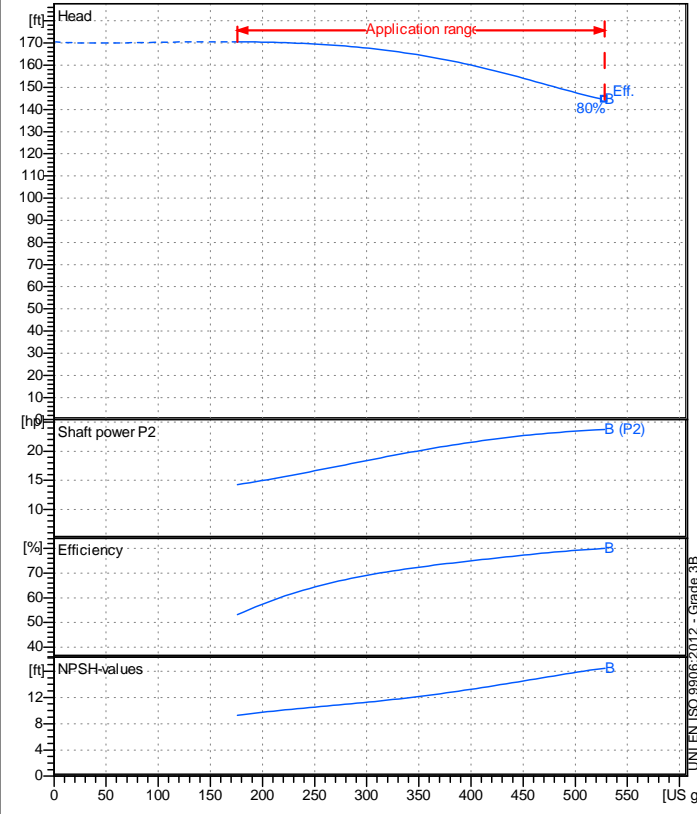


Company name
 Respons. Department
 Person in charge
 Phone number
 Fax no
 E-mail address

Receiver	From



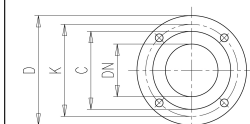
Operating data specification

Nominal flow	US g.p.m. 0
Nominal head	ft 0
Static head	ft 0
NPSH - v value of plant	ft 0
Inlet pressure	psi 1.42
Fluid	Water, pure
Operating temperature t A	°F 68
Density at t A	lb/ft³ 62.32
Kin. viscosity at t A	ft²/s 1.082E-5

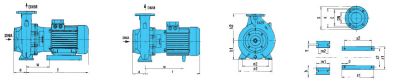
Pump			
Pump name		6MG-M2 65-160 B	
Size		50/32/200	
Design			
Speed rpm	3600	No of stages	1
Impeller type			
Flow	Nominal	US g.p.m.	
	Max-	US g.p.m.	528
	Min-	US g.p.m.	176
Head	Nominal	ft	
	Max-	ft	171
	Min-	ft	144
Head H(Q=0)		ft 171	
NPSH 3%		ft	
Max. working pressure		psi 73.8	
Shaft power		hp	
Efficiency		%	
Max absorbed power		hp 23.734	

Materials Pump	
Shaft	Duplex Stainless steel (1.4362)
Impeller	Bronze G-CuSn10 (CC480K)
Pump body	Bronze G-CuSn10 (CC480K)
Seal disc	Bronze G-CuSn10 (CC480K)
Gasket	Natural fiber
Mechanical seal	Q1Q1VG (SiC/SiC/FPM)

Dimensions in inch			
a	3 ¹⁵ / ₁₆	z1	12 ⁹ / ₁₆
b	2 ⁹ / ₁₆	z2	12 ¹ / ₂
d	14*4		
DNA	3 ¹ / ₈		
DNM	2 ⁹ / ₁₆		
h1	6 ⁵ / ₁₆		
h2	7 ¹ / ₁₆		
l	37 ¹³ / ₁₆		
m1	4 ¹⁵ / ₁₆		
m2	3 ³ / ₄		
n1	11		
n2	8 ³ / ₈		
s	9 ⁹ / ₁₆		
w	13 ¹¹ / ₁₆		
x1	16 ¹ / ₈		
x2	14 ⁹ / ₁₆		



C	4 ¹³ / ₁₆	C	5 ⁷ / ₁₆
D	7 ⁹ / ₁₆	D	7 ⁷ / ₁₆
DN	2 ⁹ / ₁₆	DN	3 ¹ / ₈
K	5 ¹¹ / ₁₆	K	6 ⁹ / ₁₆
n°	3 ³ / ₁₆	n°	3 ³ / ₁₆
øn	3 ³ / ₄	øn	3 ³ / ₄



Motor		Frame size	160 L	
Manufacturer / Type		SAER	MEC160L-2P-18,5	
Rated power	hp	24.809	Efficiency 4/4	89.5 %
Electric current	A	30	Speed	rpm 3600
Electric voltage	V	460 V	3~	Hz 60
Starting mode		Unknown		
Degree of protection		IP 55	Insulation class	F

Remarks:				
Project	Project ID	Created by	Created on	Last update
			2022-09-19	



Performance curves 6MG-M2 65-160 B

Revision no

Page:

2

Receiver

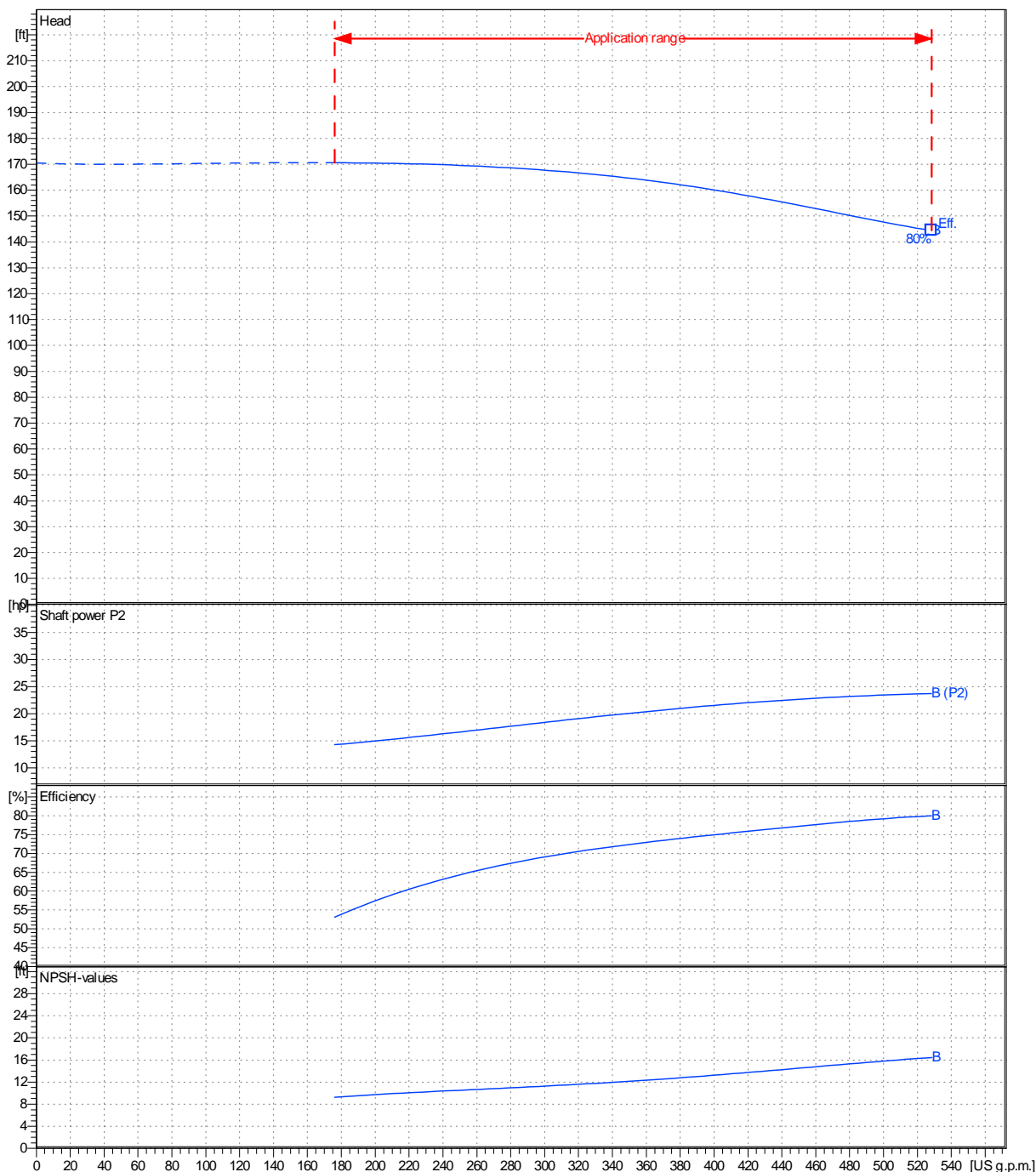
From

Company name
Respons. Department
Person in charge
Phone number
Fax no
E-mail address

Operating area	Flow	Head	Impeller type	
Operating data specification	0 US g.p.m.	0 ft	Impeller construction	Closed
Pump data	US g.p.m.	ft	Sense of rotation	Clockwise from the drive end
			Outlet width	DN 65
	Flow	Head	Shaft power P2	Speed rpm 3600
	Min. Max. η Max.	H(Q=0) η Max.	P2(Q=0) Max. η Max.	Frequency Hz 60 Hz
	US g.p.m. US g.p.m. US g.p.m.	ft ft	hp hp hp	
	176 528 528	171 144	23.7 23.7	

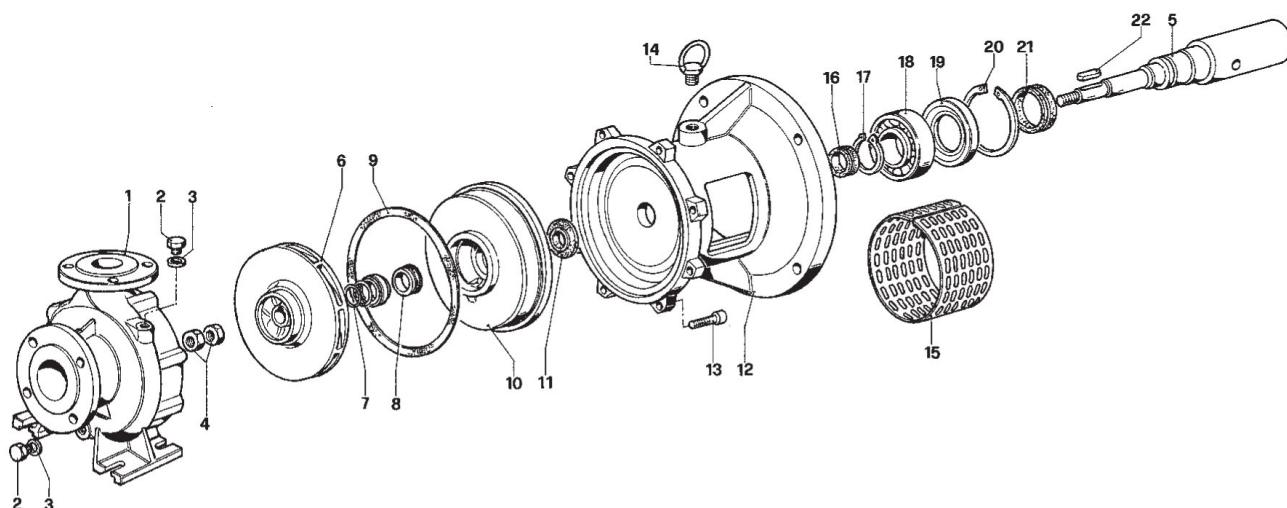
Performance data based to: Water, pure [100%]; 68°F; 62.3lb/ft³; 1.08E-5ft²/s

UNI EN ISO 9906:2012 - Grade 3B



Project	Project ID	Created by	Created on 2022-09-19	Last update
---------	------------	------------	--------------------------	-------------

Company name
Respons. Department
Person in charge
Phone number
Fax no
E-mail address



Project

Project ID

Created by

Created on
2022-09-19

Last update