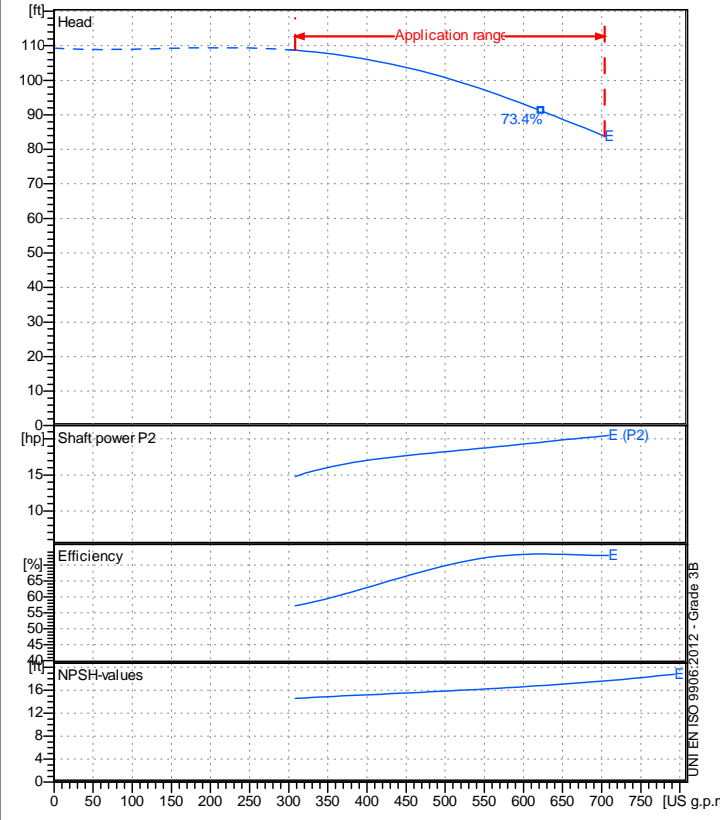


Company name
 Respons. Department
 Person in charge
 Phone number
 Fax no
 E-mail address

Receiver	From



Operating data specification

Nominal flow	US g.p.m. 0
Nominal head	ft 0
Static head	ft 0
NPSH - v value of plant	ft 0
Inlet pressure	psi 1.42
Fluid	Water, pure
Operating temperature t A	°F 68
Density at t A	lb/ft³ 62.32
Kin. viscosity at t A	ft²/s 1.082E-5

Pump

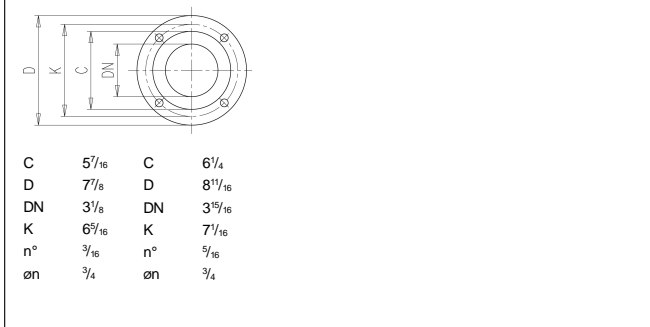
Pump name		6MG-M2 80-160 E	
Size		50/32/200	
Design			
Speed rpm	3600	No of stages	1
Impeller type			
Flow	Nominal	US g.p.m.	
	Max-	US g.p.m.	704
	Min-	US g.p.m.	308
Head	Nominal	ft	
	Max-	ft	109
	Min-	ft	83.8
Head H(Q=0)		ft	109
NPSH 3%		ft	
Max. working pressure		psi	47.3
Shaft power		hp	
Efficiency		%	
Max absorbed power		hp	20.47

Materials Pump

Shaft	Duplex Stainless steel (1.4362)
Impeller	Bronze G-CuSn10 (CC480K)
Pump body	Bronze G-CuSn10 (CC480K)
Seal disc	Bronze G-CuSn10 (CC480K)
Gasket	Natural fiber
Mechanical seal	Q1Q1VG (SiC/SiC/FPM)

Dimensions in inch

a	4 ¹⁵ / ₁₆	z1	12 ⁹ / ₁₆
b	2 ⁹ / ₁₆	z2	10
d	14*4		
DNA	3 ¹⁵ / ₁₆		
DNM	3 ¹ / ₈		
h1	7 ¹ / ₁₆		
h2	8 ⁷ / ₈		
l	38 ³ / ₄		
m1	4 ¹⁵ / ₁₆		
m2	3 ³ / ₄		
n1	12 ⁵ / ₈		
n2	9 ¹³ / ₁₆		
s	9 ¹ / ₁₆		
w	13 ¹¹ / ₁₆		
x1	16 ¹ / ₈		
x2	14 ⁹ / ₁₆		



Motor

Motor	Frame size	160 M		
Manufacturer / Type	SAER	MEC160M-2P-15		
Rated power	hp	20.115	Efficiency 4/4	88.5 %
Electric current	A	24.7	Speed rpm	3600
Electric voltage	V	460 V	3~	Hz 60
Starting mode	Unknown			
Degree of protection	IP 55	Insulation class	F	

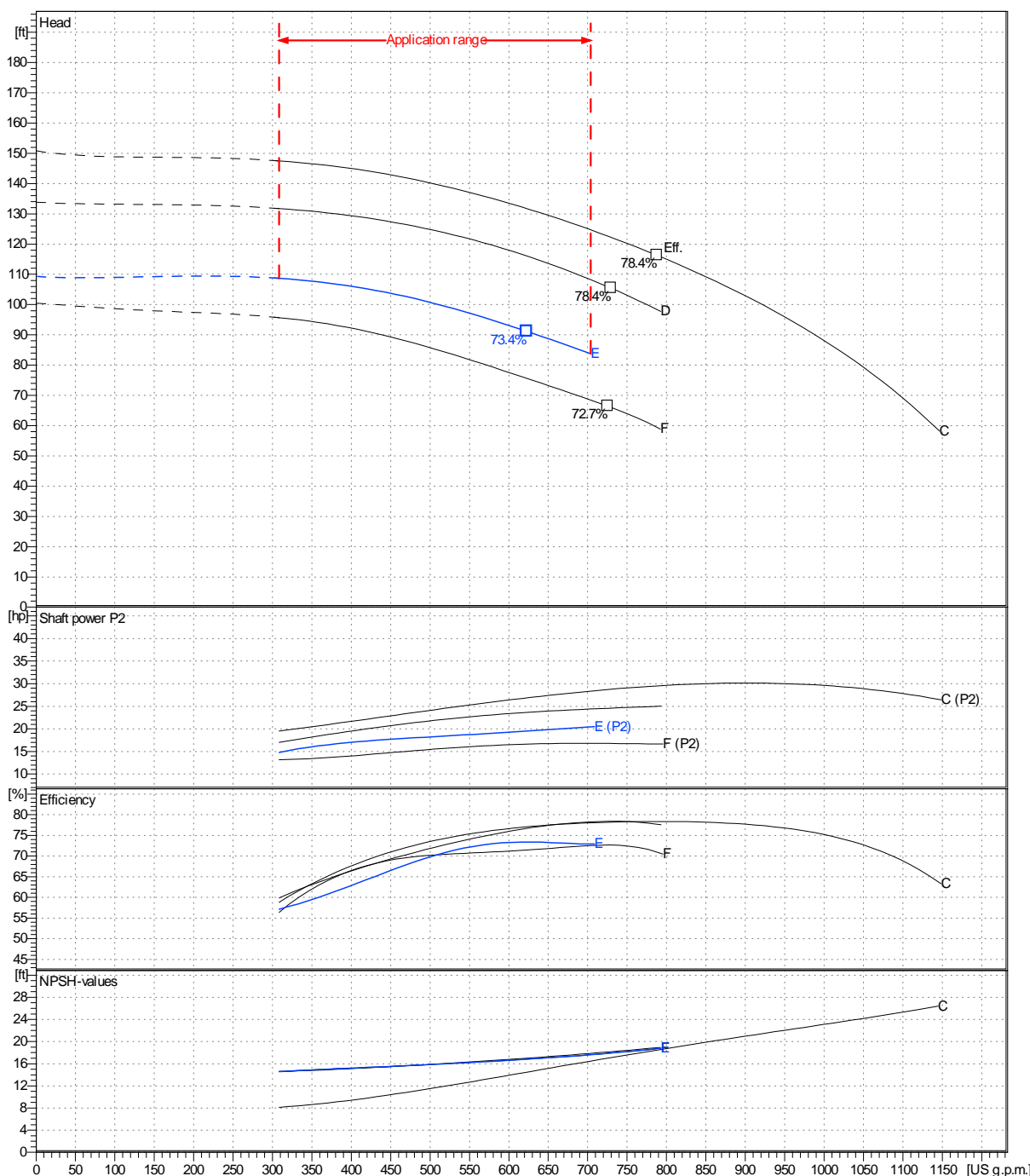
Remarks:

Project	Project ID	Created by	Created on	Last update
			2022-09-19	

Receiver		From	
Company name			
Respons. Department			
Person in charge			
Phone number			
Fax no			
E-mail address			
Operating area	Flow	Head	Impeller type
Operating data specification	0 US g.p.m.	0 ft	Impeller construction
			Sense of rotation
			Clockwise from the drive end
Pump data	US g.p.m.	ft	Outlet width
			DN 80
	Flow	Head	Shaft power P2
	Speed	rpm	3600
	Frequency	Hz	60 Hz
	Min. Max. η Max.	H(Q=0) η Max.	P2(Q=0) Max. η Max.
	US g.p.m. US g.p.m. US g.p.m.	ft ft	hp hp hp
	308 704 623	109 91.2	20.5 19.5

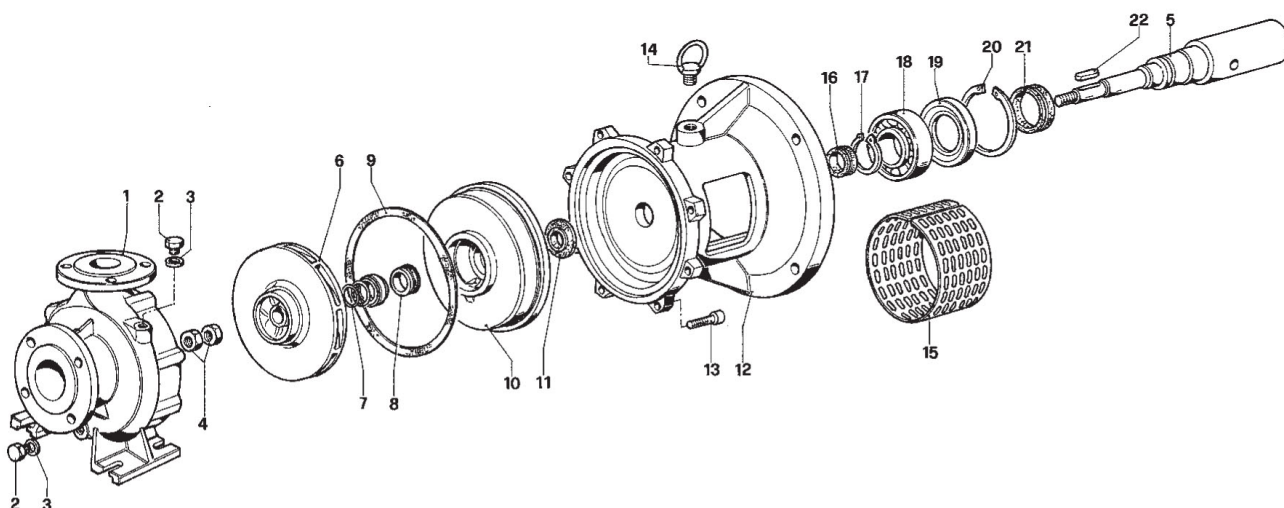
 Performance data based to: Water, pure [100%]; 68°F; 62.3lb/ft³; 1.08E-5ft²/s

UNI EN ISO 9906:2012 - Grade 3B



Project	Project ID	Created by	Created on	Last update
			2022-09-19	

Company name
 Respons. Department
 Person in charge
 Phone number
 Fax no
 E-mail address



Project

Project ID

Created by

Created on

Last update

2022-09-19