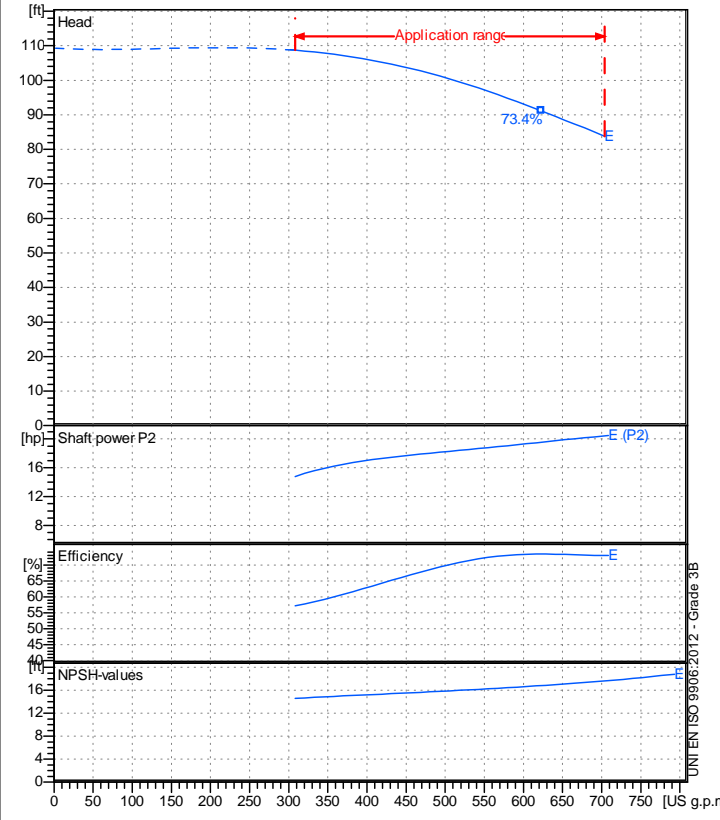


Company name
 Respons. Department
 Person in charge
 Phone number
 Fax no
 E-mail address

Receiver	From



Operating data specification

Nominal flow	US g.p.m. 0
Nominal head	ft 0
Static head	ft 0
NPSH - v value of plant	ft 0
Inlet pressure	psi 1.42
Fluid	Water, pure
Operating temperature t A	°F 68
Density at t A	lb/ft³ 62.32
Kin. viscosity at t A	ft²/s 1.082E-5

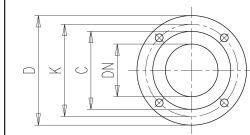
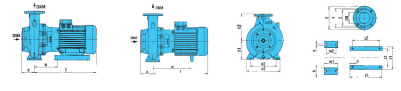
Pump		
Pump name	6MG2 80-160 E	
Size	50/32/200	
Design		
Speed rpm	3600	
No of stages	1	
Impeller type		
Flow	Nominal	US g.p.m.
	Max-	US g.p.m. 704
	Min-	US g.p.m. 308
Head	Nominal	ft
	Max-	ft 109
	Min-	ft 83.8
Head H(Q=0)	ft 109	
NPSH 3%	ft	
Max. working pressure	psi 47.3	
Shaft power	hp	
Efficiency	%	
Max absorbed power	hp 20.47	

Materials Pump

Shaft	Stainless steel AISI 431 (1.4057)
Impeller	Cast iron EN-GJL-250
Pump body	Cast iron EN-GJL-250
Seal disc	Cast iron EN-GJL-250
Gasket	Natural fiber
Mechanical seal	BVEG (Grafito/Ossido Allumina/EPDM)

Dimensions in inch

a	4 ¹⁵ / ₁₆	z1	12 ⁹ / ₁₆
b	2 ⁹ / ₁₆	z2	10
d	14*4		
DNA	3 ¹⁵ / ₁₆		
DNM	3 ¹ / ₈		
h1	7 ¹ / ₁₆		
h2	8 ⁷ / ₈		
l	38 ³ / ₄		
m1	4 ¹⁵ / ₁₆		
m2	3 ³ / ₄		
n1	12 ⁵ / ₈		
n2	9 ¹³ / ₁₆		
s	9 ⁹ / ₁₆		
w	13 ¹¹ / ₁₆		
x1	16 ¹ / ₈		
x2	14 ⁹ / ₁₆		



C	5 ⁷ / ₁₆	C	6 ¹ / ₄
D	7 ⁷ / ₈	D	8 ¹¹ / ₁₆
DN	3 ¹ / ₈	DN	3 ¹⁵ / ₁₆
K	6 ⁹ / ₁₆	K	7 ¹ / ₁₆
n°	3 ³ / ₁₆	n°	5 ¹ / ₁₆
Øn	3 ¹ / ₄	Øn	3 ¹ / ₄

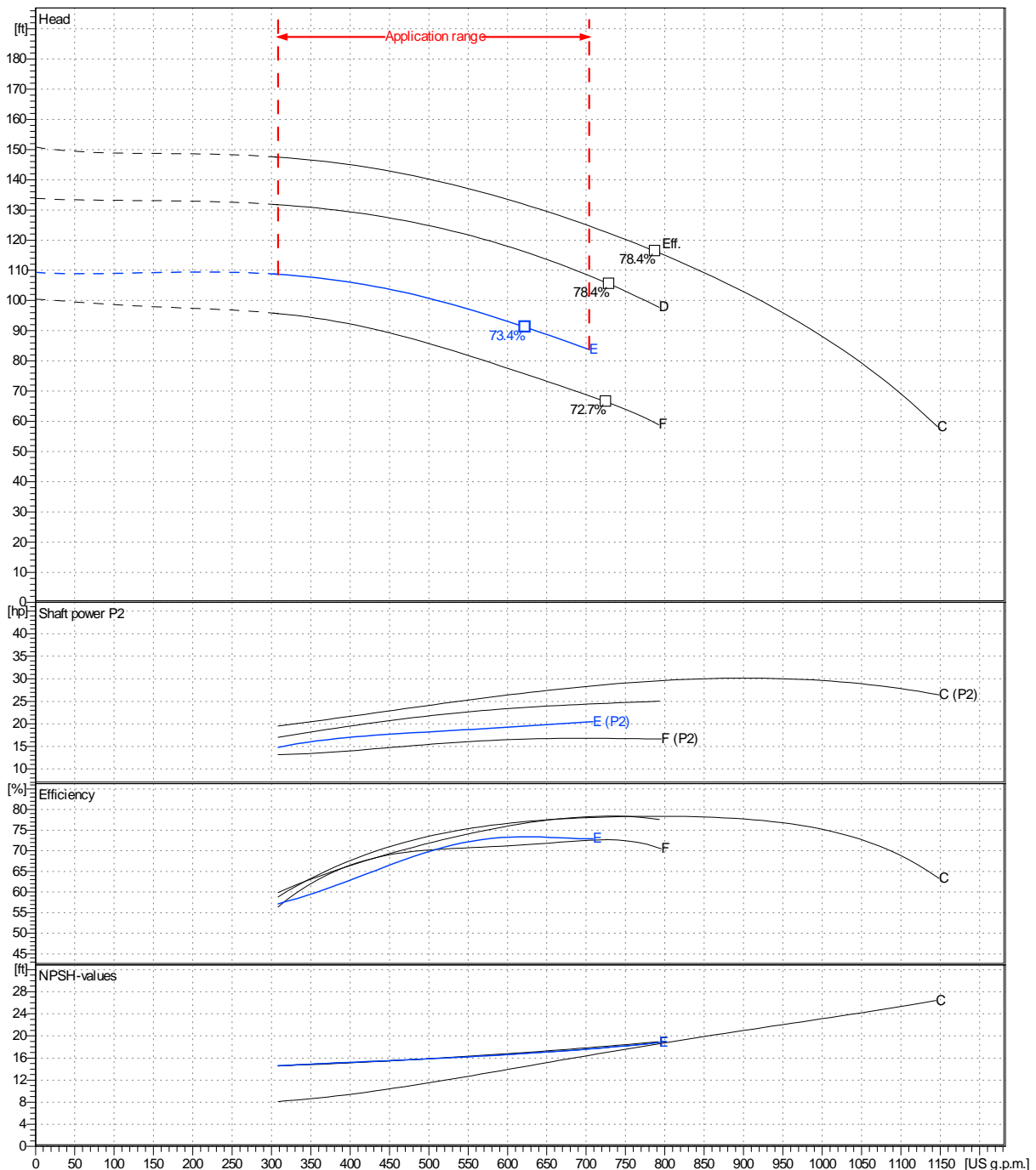
Motor	Frame size	160 M		
Manufacturer / Type	SAER	MEC160M-2P-15		
Rated power	hp	20.115	Efficiency 4/4	88.5 %
Electric current	A	24.7	Speed rpm	3600
Electric voltage	V	460 V	3~	Hz 60
Starting mode	Unknown			
Degree of protection	IP 55	Insulation class	F	

Remarks:				
Project	Project ID	Created by	Created on	Last update
			2022-09-19	

Receiver	From
Company name Respons. Department Person in charge Phone number Fax no E-mail address	

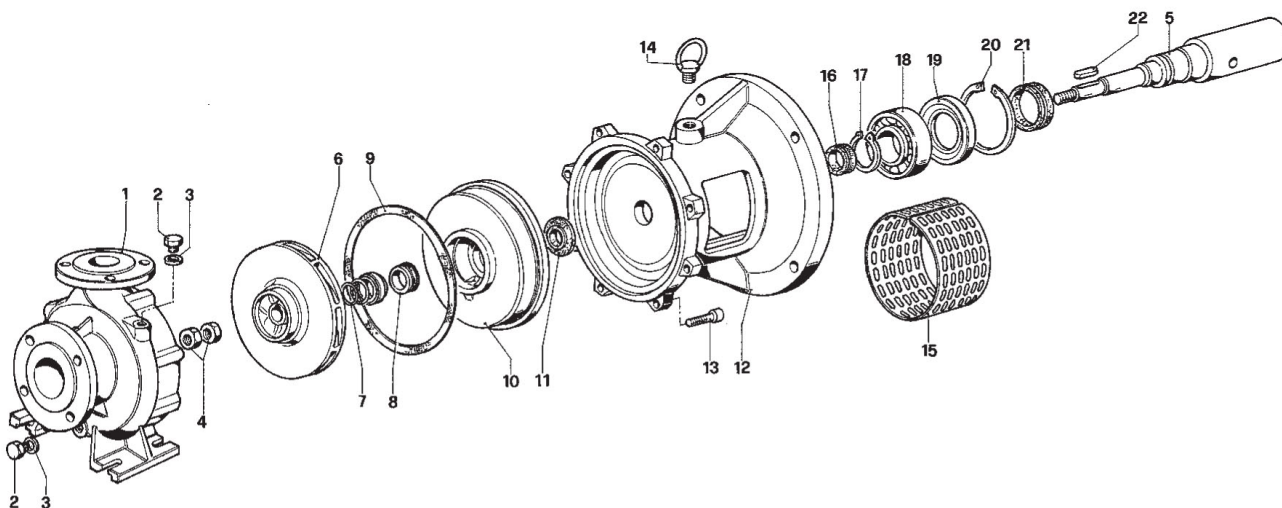
Operating area	Flow	Head	Impeller type
Operating data specification	0 US g.p.m.	0 ft	Impeller construction: Closed
Pump data	US g.p.m.	ft	Sense of rotation: Clockwise f from the drive end
			Outlet width: DN 80
	Flow	Head	Shaft power P2
	Min. Max. η Max.	H(Q=0) η Max.	P2(Q=0) Max. η Max.
	US g.p.m. US g.p.m. US g.p.m.	ft ft	hp hp hp
	308 704 623	109 91.2	20.5 19.5
			Speed rpm: 3600
			Frequency Hz: 60 Hz

Performance data based to: Water, pure [100%]; 68°F; 62.3lb/ft³; 1.08E-5ft²/s UNI EN ISO 9906:2012 - Grade 3B



Project	Project ID	Created by	Created on	Last update
			2022-09-19	

Company name
Respons. Department
Person in charge
Phone number
Fax no
E-mail address



Project

Project ID

Created by

Created on
2022-09-19

Last update