

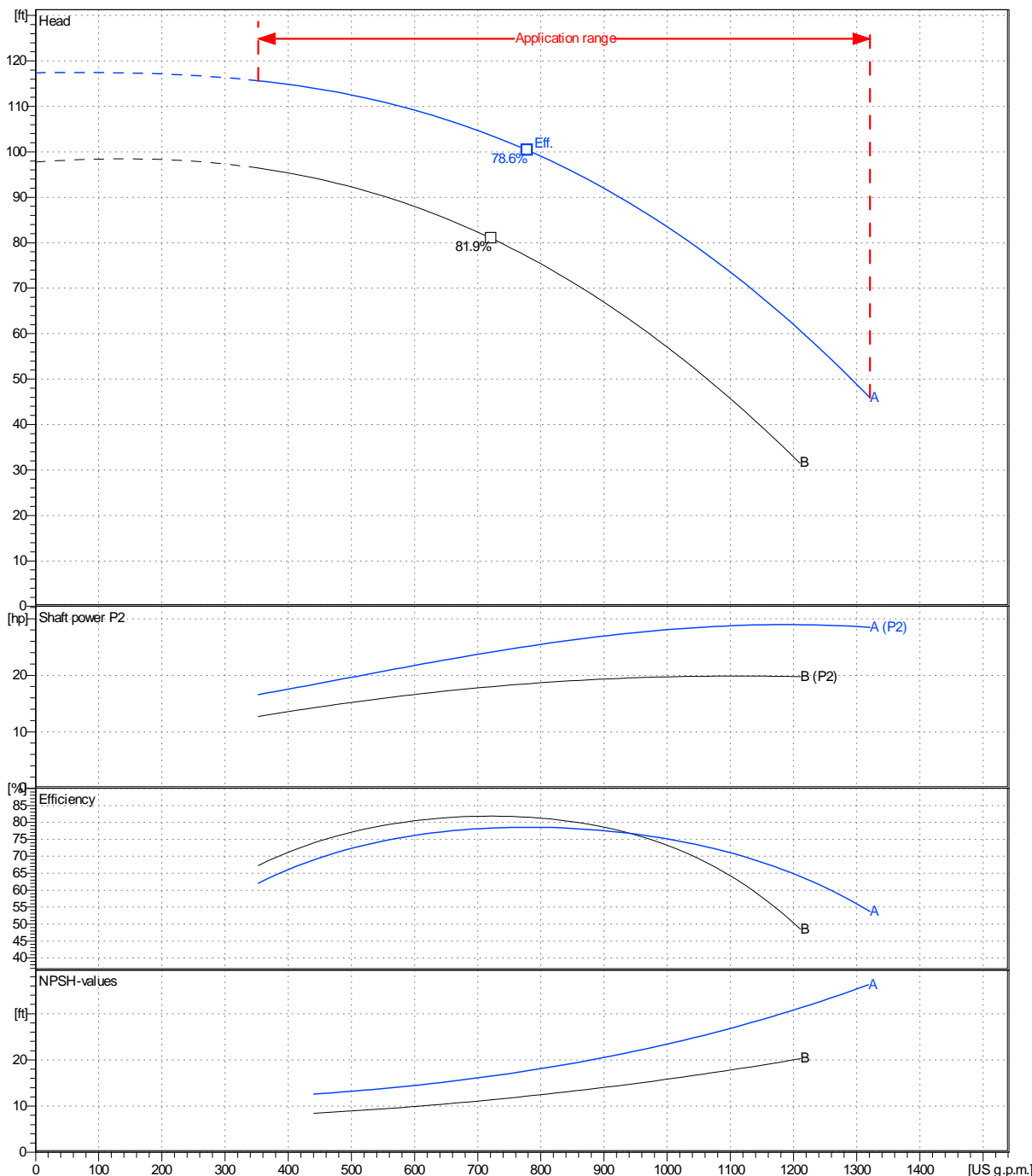


<b>Receiver</b>	<b>From</b>
Company name	
Respons. Department	
Person in charge	
Phone number	
Fax no	
E-mail address	

Operating area	Flow	Head	Impeller type
Operating data specification	0 US g.p.m.	0 ft	Impeller construction
Pump data	US g.p.m.	ft	Sense of rotation
			Clockwise f from the drive end
			Outlet width
			DN 100
	Flow	Head	Shaft power P2
	Min. Max. $\eta$ Max.	H(Q=0) $\eta$ Max.	P2(Q=0) Max. $\eta$ Max.
	US g.p.m. US g.p.m. US g.p.m.	ft ft	hp hp hp
	352 1320 779	117 100	29 25.1
			Speed rpm 1800
			Frequency Hz 60 Hz

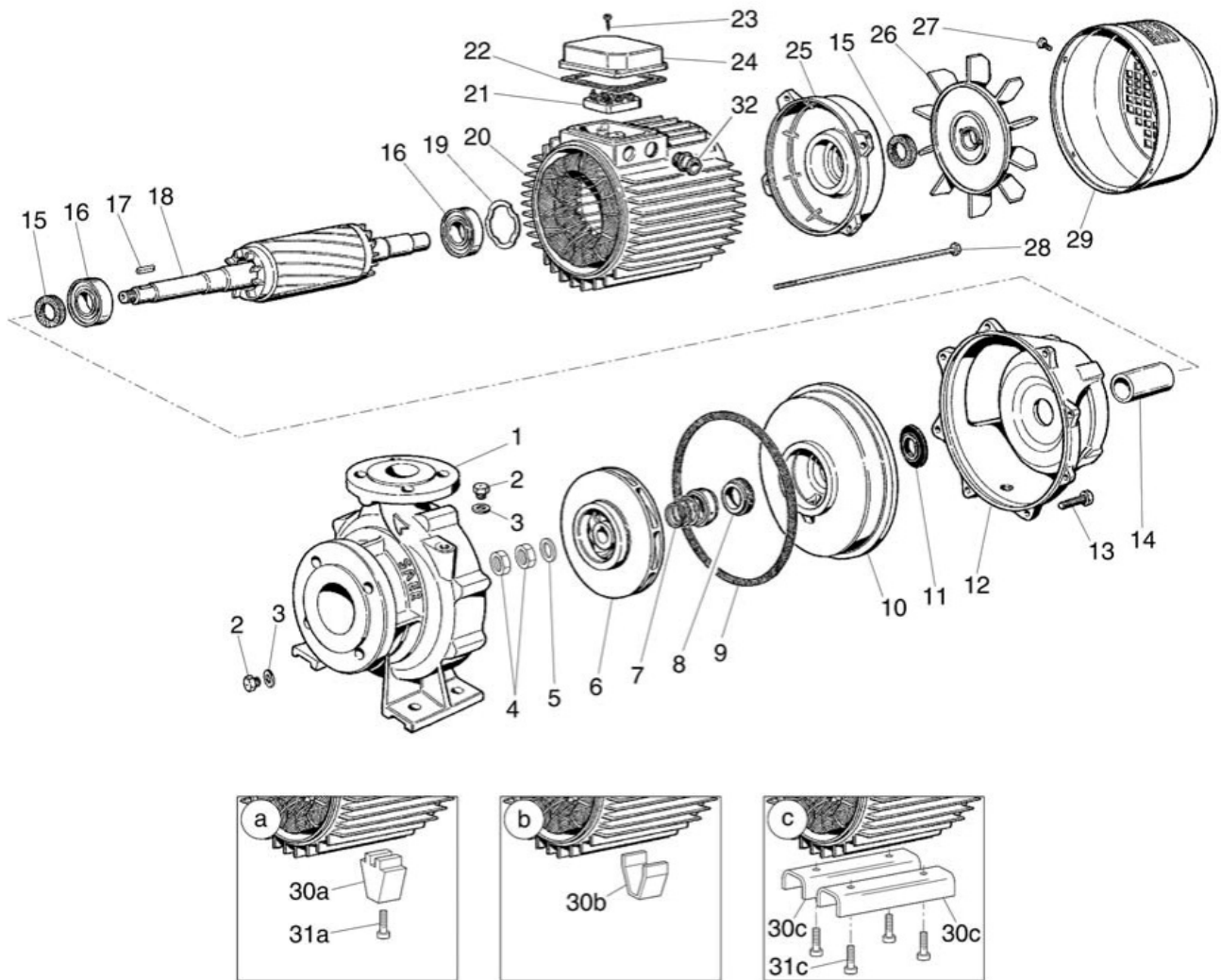
Performance data based to: Water, pure [100%]; 68°F; 62.3lb/ft<sup>3</sup>; 1.08E-5ft<sup>2</sup>/s

UNI EN ISO 9906:2012 - Grade 3B



Project	Project ID	Created by	Created on	Last update
			<b>2022-09-26</b>	

Company name  
Respons. Department  
Person in charge  
Phone number  
Fax no  
E-mail address

Project	Project ID	Created by	Created on <b>2022-09-26</b>	Last update
---------	------------	------------	---------------------------------	-------------