



# Technical Data

## Multi-Stage Horizontal Pump - HBI 4-20

Revision no.

Page:

1

Receiver

From

 Company name  
 Respons. Department  
 Person in charge  
 Phone number  
 Fax no  
 E-mail address

--	--



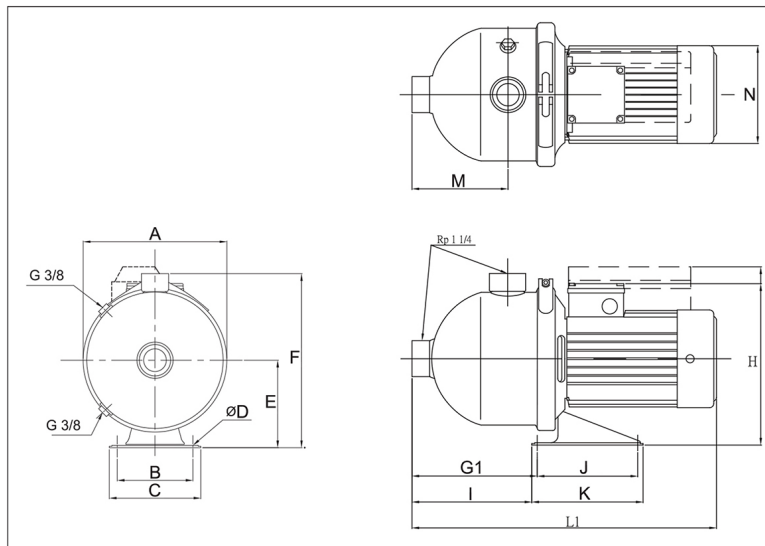
**Brand: Gol Pumps**  
**Model: HBI 4-20**  
**Material: Stainless Steel**

Enclosure class	IP54
Insulation class	F
Liquid temp. range	32 °F ~ +230 °F
Max. ambient temp.	+104 °F
Max. operating pressure	142 PSI
<b>Max. inlet pressure is limited by Max. operating pressure</b>	
Mechanical seal	RQBE

**The Max. operating pressure depends on the temp. of the pumped liquid**

<b>142 PSI</b>	<b>85 PSI</b>
32 °F to +131 °F	+133 °F to +194 °F

### Dimensions:



Inlet	Outlet
1 1/4"	1 1/4"

Pump Installation Size (inch)														Weight
A	B	C	ØD	E	F	G1	H	I	J	K	L1	M	N	lb
8	4.3	5.2	0.3	4.6	9.6	7.1	10	6.7	5.4	6.4	15.9	5.5	5.6	20.9

Project

Project ID

Created by

Created on

Last update



# Performance Curves

## Multi-Stage Horizontal Pump - HBI 4-20

Revision no.

Page:  
 2

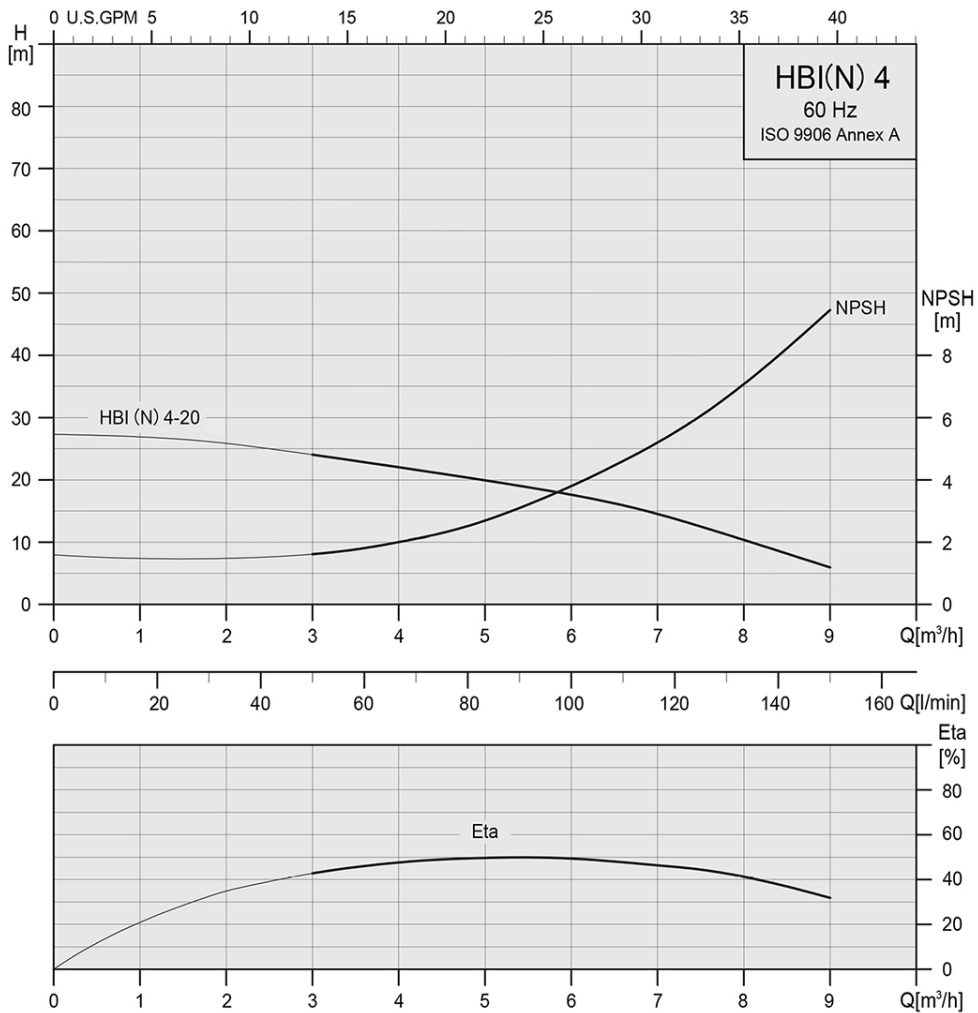
Receiver

From

Company name  
 Respons. Department  
 Person in charge  
 Phone number  
 Fax no  
 E-mail address



Model	Capacity			Head		Speed	Motor	Voltage	Phase	Amps	Eff.	(NPSH)r
	m <sup>3</sup> /h	l/m	gpm	m	ft	r/min	hp	v			%	ft
<b>HBI 4-20</b>	9	150	39.5	27	89	3450	0.75	110/220	1	9.3/4.7	50	31.2



Project	Project ID	Created by	Created on	Last update
---------	------------	------------	------------	-------------



## Parts and Materials

### Multi-Stage Horizontal Pump - HBI 4-20

Revision no.

Page:

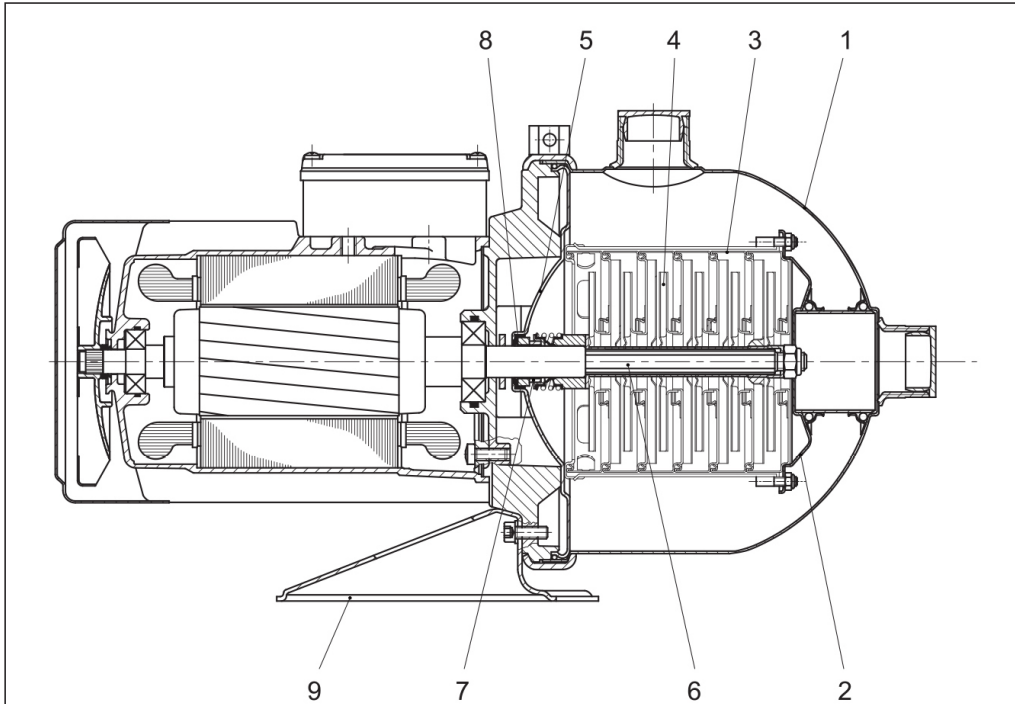
3

Receiver

From

 Company name  
 Respons. Department  
 Person in charge  
 Phone number  
 Fax no  
 E-mail address

--	--



### Parts List

### Material

	Parts List	Material
1	Pump Casing	Stainless Steel 304
2	Suction Inter-connector	Stainless Steel 304
3	Chamber	Stainless Steel 304
4	Impeller	Stainless Steel 304
5	Cover Plate	Stainless Steel 304
6	Shaft	Stainless Steel 431
7	Mechanical Seal	Silicon Carbide/Carbon
8	O-Ring	EPDM
9	Base Plate	Steel

Project

Project ID

Created by

Created on

Last update