



Technical Data

Multi-Stage Horizontal Pump - HBI 4-40

Revision no.

Page:
 1

	Receiver	From
Company name		
Respons. Department		
Person in charge		
Phone number		
Fax no		
E-mail address		

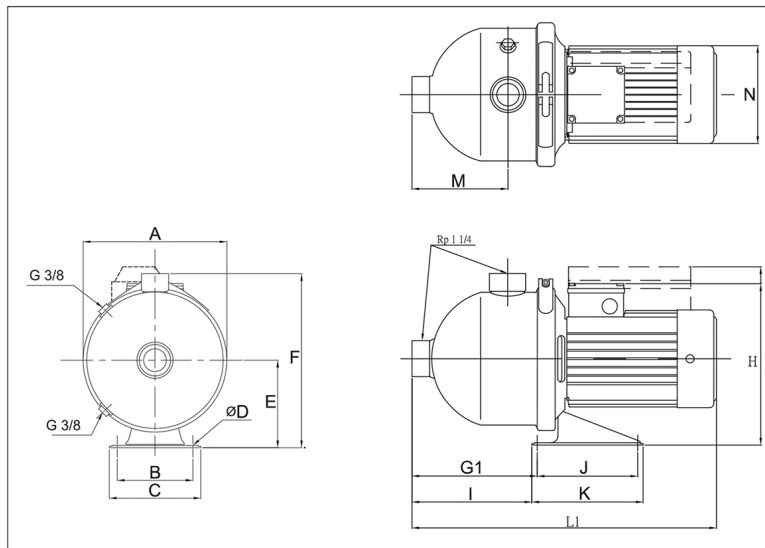


Brand: Gol Pumps
Model: HBI 4-40
Material: Stainless Steel

Enclosure class	IP54
Insulation class	F
Liquid temp. range	32 °F ~ +230 °F
Max. ambient temp.	+104 °F
Max. operating pressure	142 PSI
Max. inlet pressure is limited by Max. operating pressure	
Mechanical seal	RQBE

The Max. operating pressure depends on the temp. of the pumped liquid	
142 PSI	85 PSI
32 °F to +131 °F	+133 °F to +194 °F

Dimensions:



Inlet	Outlet
1 1/4"	1 1/4"

Pump Installation Size (inch)														Weight
A	B	C	ØD	E	F	G1	H	I	J	K	L1	M	N	lb
8	4.3	5.2	0.3	4.6	9.6	7.1	10	6.7	5.4	6.4	17.4	5.5	5.6	25.3

Project	Project ID	Created by	Created on	Last update
---------	------------	------------	------------	-------------



Performance Curves

Multi-Stage Horizontal Pump - HBI 4-40

Revision no. _____

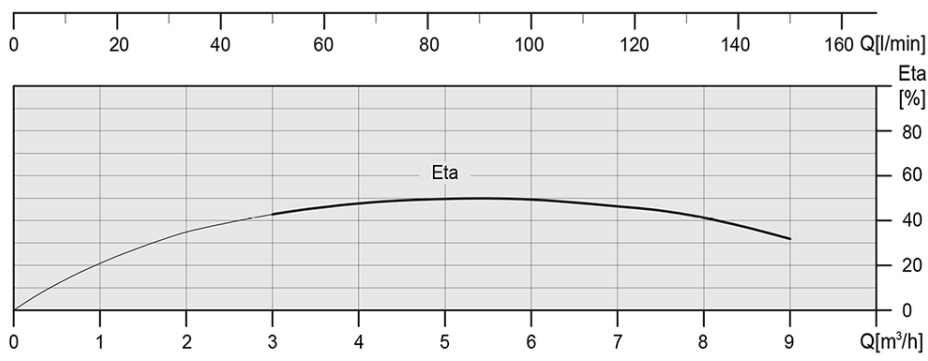
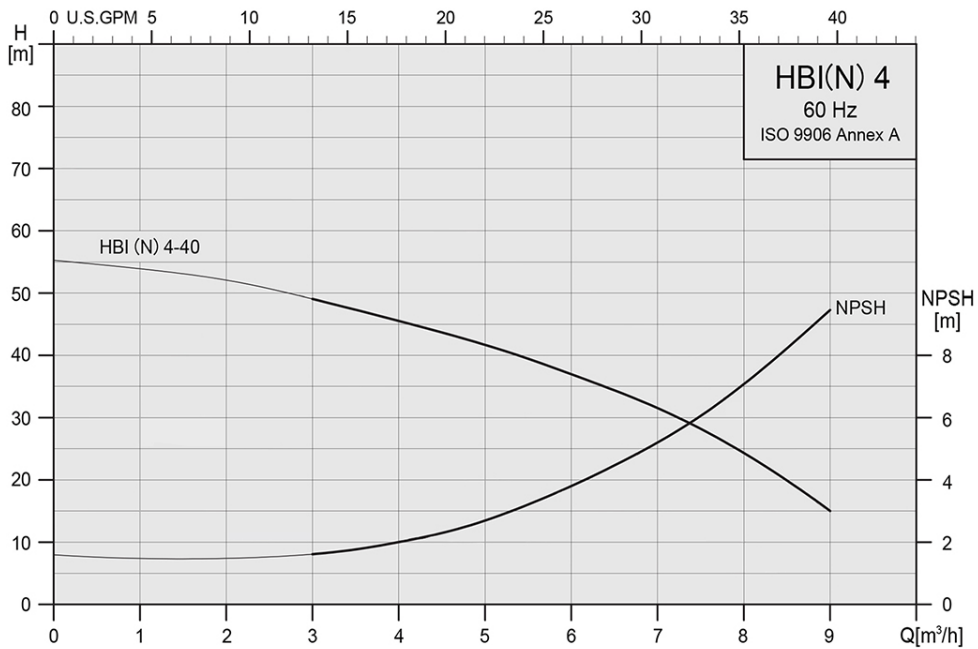
Page: 2

Receiver _____

From _____

Company name _____
 Respons. Department _____
 Person in charge _____
 Phone number _____
 Fax no _____
 E-mail address _____

Model	Capacity			Head		Speed	Motor	Voltage	Phase	Amps	Eff.	(NPSH)r
	m ³ /h	l/m	gpm	m	ft	r/min	hp	v			%	ft
HBI 4-40	9	150	39.5	55	180	3450	1.5	220	1	8.5	50	31.2



Project _____	Project ID _____	Created by _____	Created on _____	Last update _____
---------------	------------------	------------------	------------------	-------------------



Parts and Materials
Multi-Stage Horizontal Pump - HBI 4-40

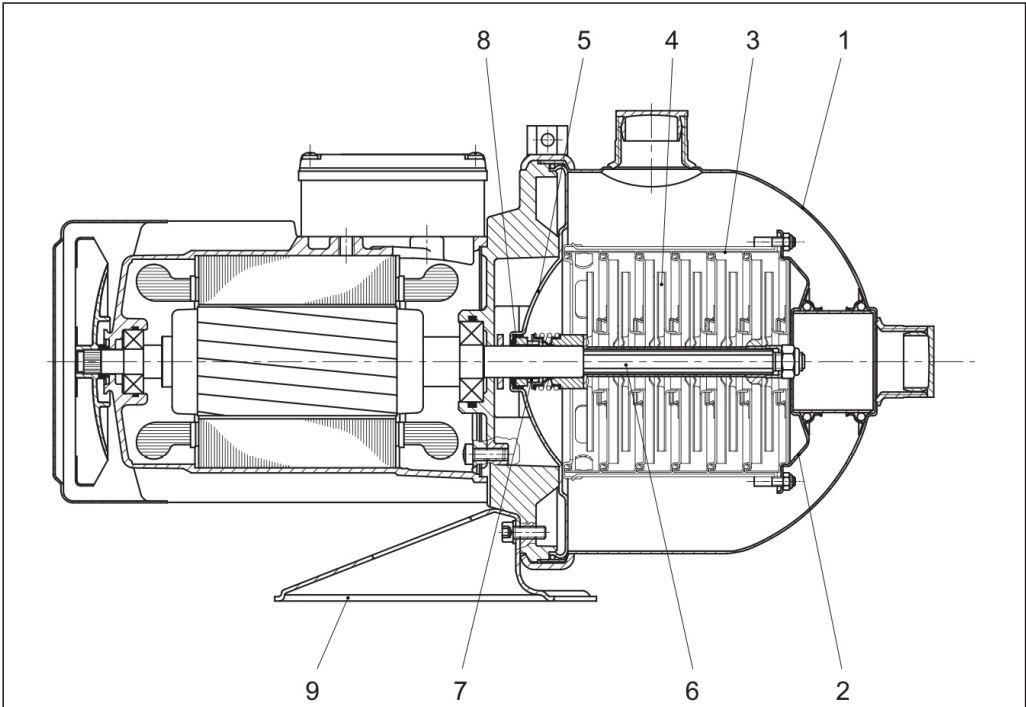
Revision no.

Page:
 3

Receiver

From

Company name
 Respons. Department
 Person in charge
 Phone number
 Fax no
 E-mail address



Parts List

Material

1	Pump Casing	Stainless Steel 304
2	Suction Inter-connector	Stainless Steel 304
3	Chamber	Stainless Steel 304
4	Impeller	Stainless Steel 304
5	Cover Plate	Stainless Steel 304
6	Shaft	Stainless Steel 431
7	Mechanical Seal	Silicon Carbide/Carbon
8	O-Ring	EPDM
9	Base Plate	Steel

Project

Project ID

Created by

Created on

Last update