



TECHNICAL FEATURES

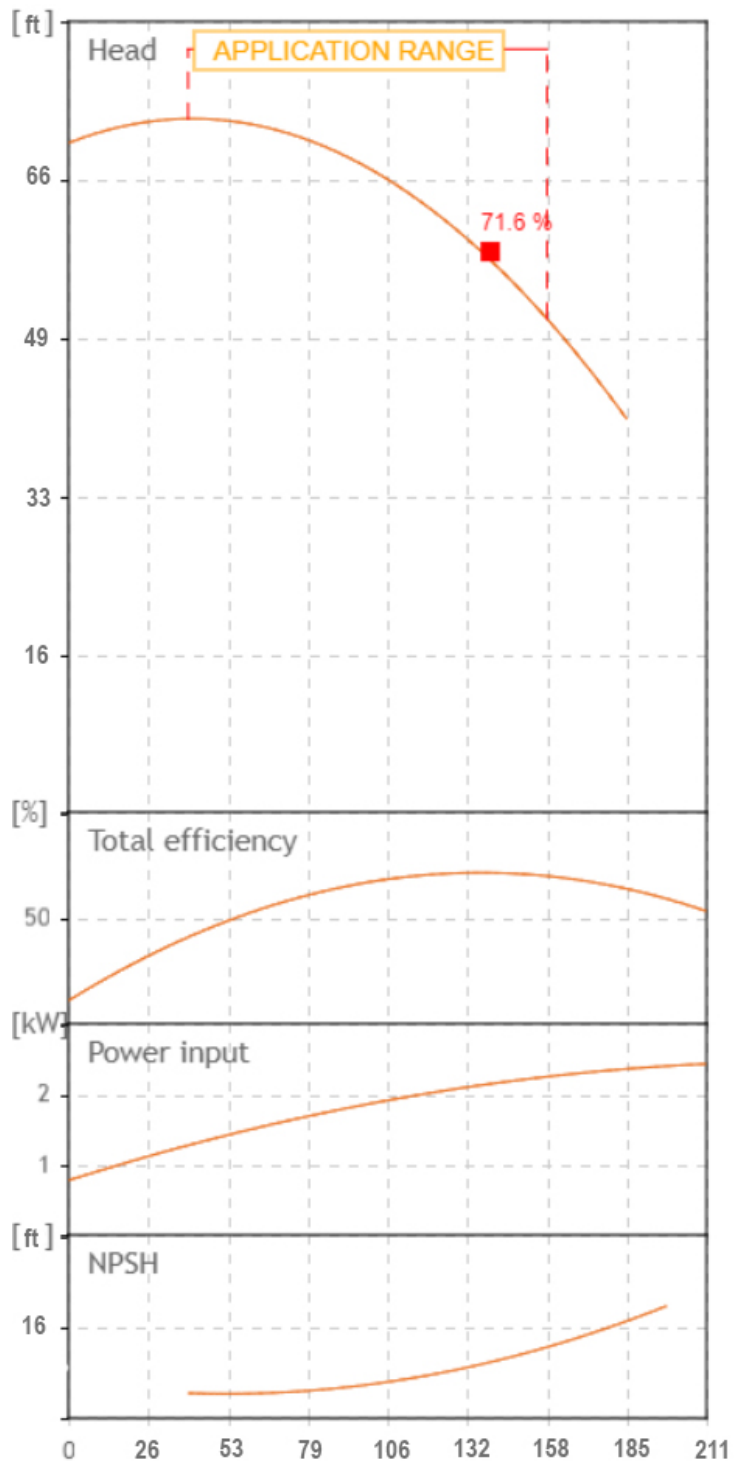
- Pump body: cast iron G20 with anti-corrosive coating
- Motor bracket: cast iron G20 with anti-corrosive coating
- in/outlet: ANSI 125
- Impeller: cast iron G20 with cathophoretic treatment
- Welding counter flanges: galvanized steel complete with EPDM gaskets
- Pump shaft: stainless steel AISI 304
- Mechanical seal: carbon-ceramics
- Welding Flanges Included



MOTOR

The control motors are asynchronous, squirrel cage-type, closed, with external ventilation

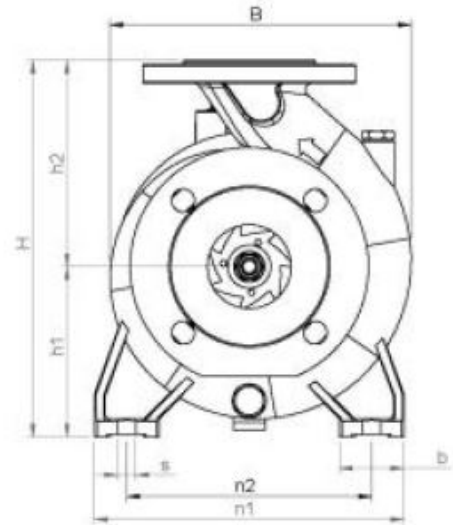
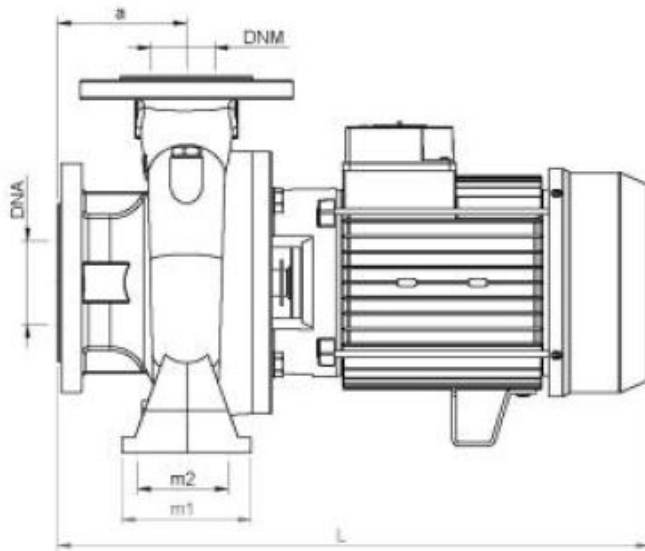
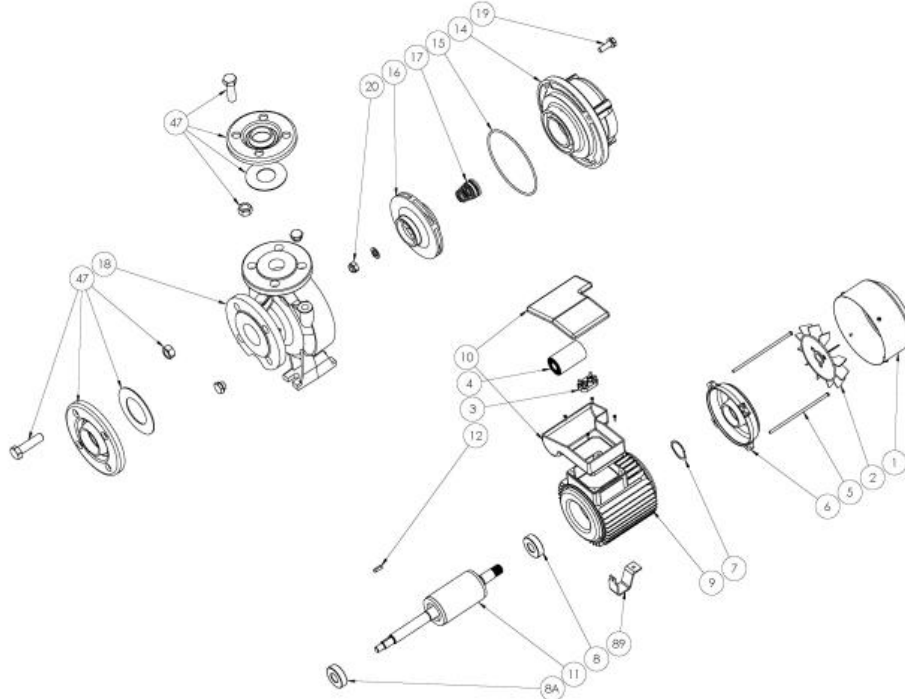
- Incorporated motor protection and capacitor always on, for single-phase models
- Class of insulation: F
- Service: S1
- Degree of protection: Single Phase IP 44
- Terminal board protection IP 54

Tolerance of curves to ISO 9906



		SEA LAND S.r.l. (PD) ITALY www.sea-land.it		 MADE IN ITALY	
Type CN 40-125 B M					
H	16 - 21.8	m	Q	600 - 150	l/1'
Hmin	12.1	m	Hmax	21.3	m
			P1	3030	W
	3	HP	2,2	kW	14.5
					A
1~	220	V	60	Hz	η
					%
	60	μF	450	V	IPb 44
					3500 Rpm
S/N		Ins.Cl	F	▽	m
T. MAX FLUID.	35	°C	43	kg	
Servizio continuo	Continuos duty				





TIPO TYPE	DIMENSIONI [mm] DIMENSIONS [mm]																IMBALLO [mm] PACKING [mm]			PESO WEIGHT
	A	B1	S	L	B	H	n1	n2	m1	m2	H1	H2	K asp	K man	B asp	B man	Ai	Pi	Li	[kg]
CN 40-125 B M	80	50	14	437	216	252	210	160	100	70	112	140	145	110	19	18	380	530	330	38

TIPO TYPE	DIMENSIONI [mm] DIMENSIONS [mm]			
	n° asp	n° man	DNM (inch)	DNA (inch)
CN 40-125 B M	4	4	40 (1.5")	65 (2.5")

From
Company: Gol pumps
Reference:
Address: 6520 Nw 77ct



Phone: 786-613-5872
Email: info@golpumps.com

Sea-land reserves the right to make changes without prior notice
Page 2 / 2