



TECHNICAL FEATURES

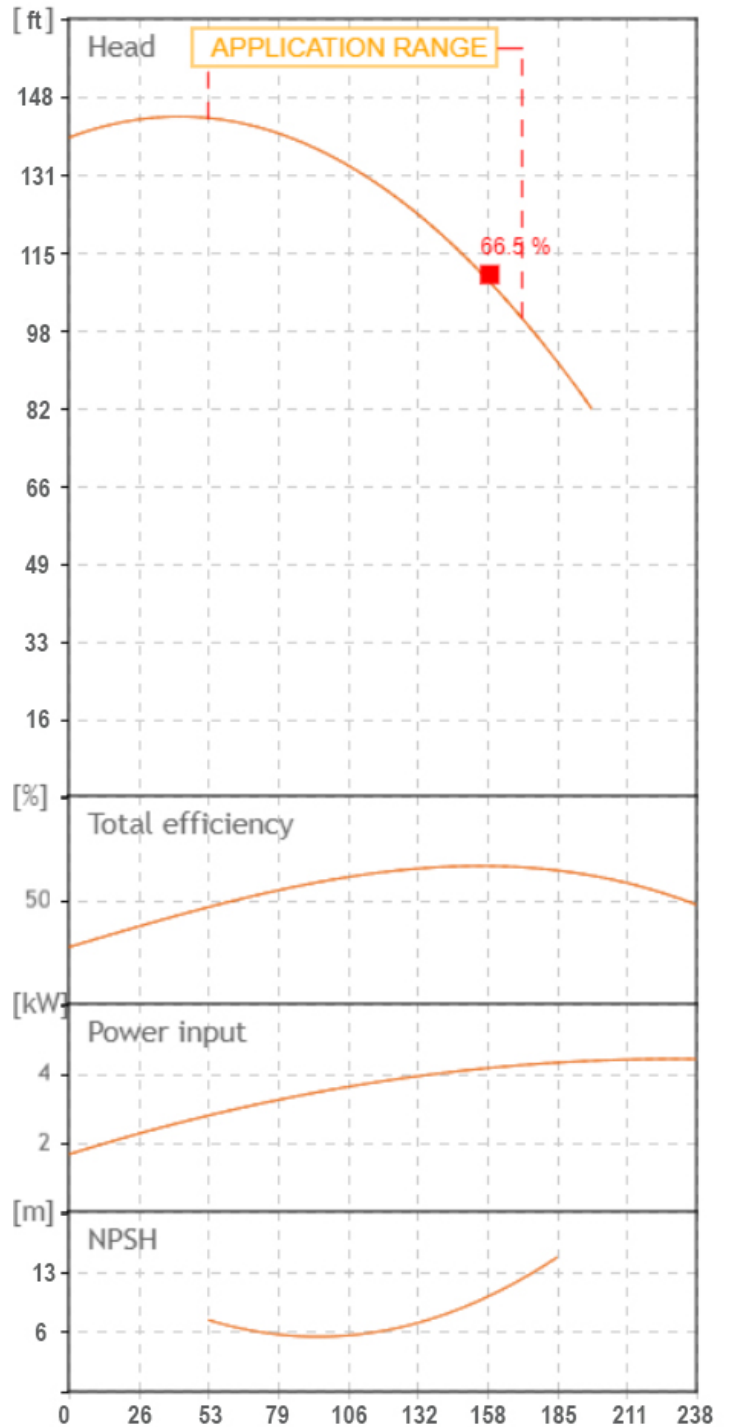
- Pump body: cast iron G20 with anti-corrosive coating
- Motor bracket: cast iron G20 with anti-corrosive coating
- in/outlet: ANSI 125
- Impeller: cast iron G20 with cathaphoretic treatment
- Welding counter flanges: galvanized steel complete with EPDM gaskets
- Pump shaft: stainless steel AISI 304
- Mechanical seal: carbon-ceramics
- Welding Flanges Included

MOTOR

The control motors are asynchronous, squirrel cage-type, closed, with external ventilation


- The motor protection for three-phase models must be installed by the customer. Equipment compliant with current standards should be used
- Class of insulation: F
- Service: S1
- Degree of protection: Three Phase 55
- Terminal board protection IP 54

Tolerance of curves to ISO 9906

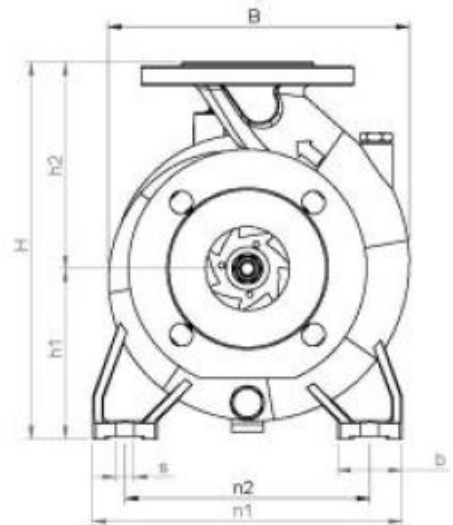
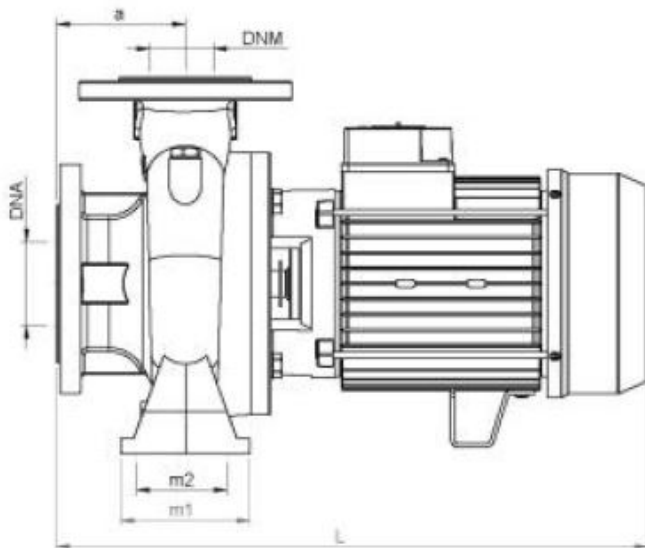
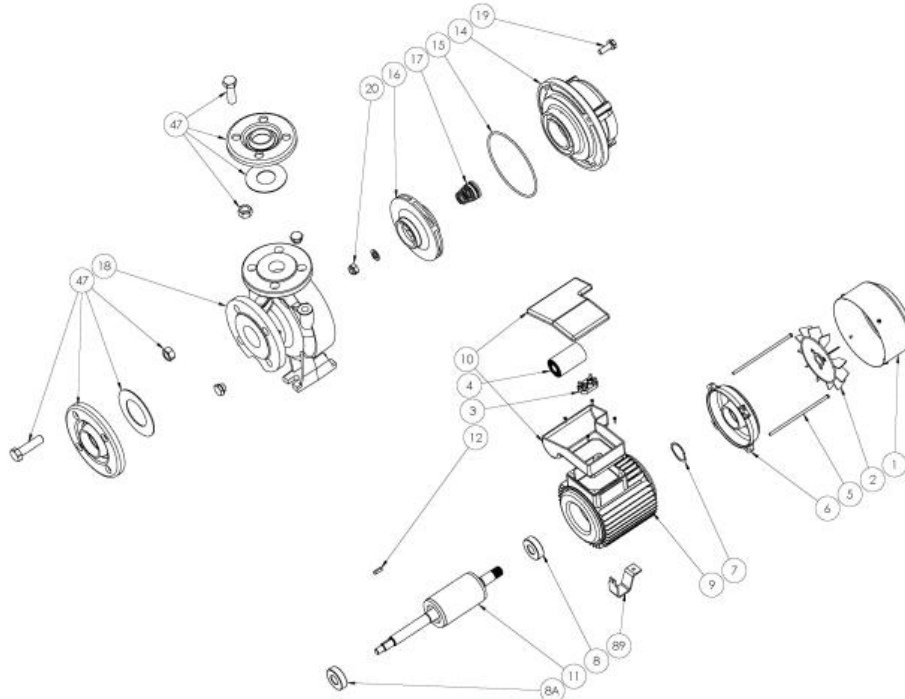


[US GPM]



		SEA LAND S.r.l. (PD) ITALY www.sea-land.it		CE MADE IN ITALY	
Type CN 40-200 B					
H	31 - 43.2	m	Q	650 - 200	l/1'
Hmin	24.3	m	Hmax	42.7	m
			P1	5930	W
	7,5	HP	5,5	kW	17.7 - 8.8
					A
1~	220 / 460	V	60	Hz	η
					%
	μF	V	IP 55		3500 Rpm
S/N		Ins.Cl F	▽		m
T. MAX FLUID.	35 °C	71	kg		
Servizio continuo					Continuous duty





TIPO TYPE	DIMENSIONI [mm] DIMENSIONS [mm]																IMBALLO [mm] PACKING [mm]			PESO WEIGHT
	A	B1	S	L	B	H	n1	n2	m1	m2	H1	H2	K man	K asp	B asp	B man	Ai	Pi	Li	[kg]
CN 40-200 B	100	50	14	515	278	340	265	212	100	70	160	180	110	145	19	18	450	650	370	71

TIPO TYPE	DIMENSIONI [mm] DIMENSIONS [mm]			
	n° asp	n° man	DNA (inch)	DNM (inch)
CN 40-200 B	4	4	65 (2.5")	40 (1.5")

From
Company: Gol pumps
Reference:
Address: 6520 Nw 77ct



Phone: 786-613-5872
Email: info@golpumps.com

Sea-land reserves the right to make changes without prior notice
Page 2 / 2