



TECHNICAL FEATURES

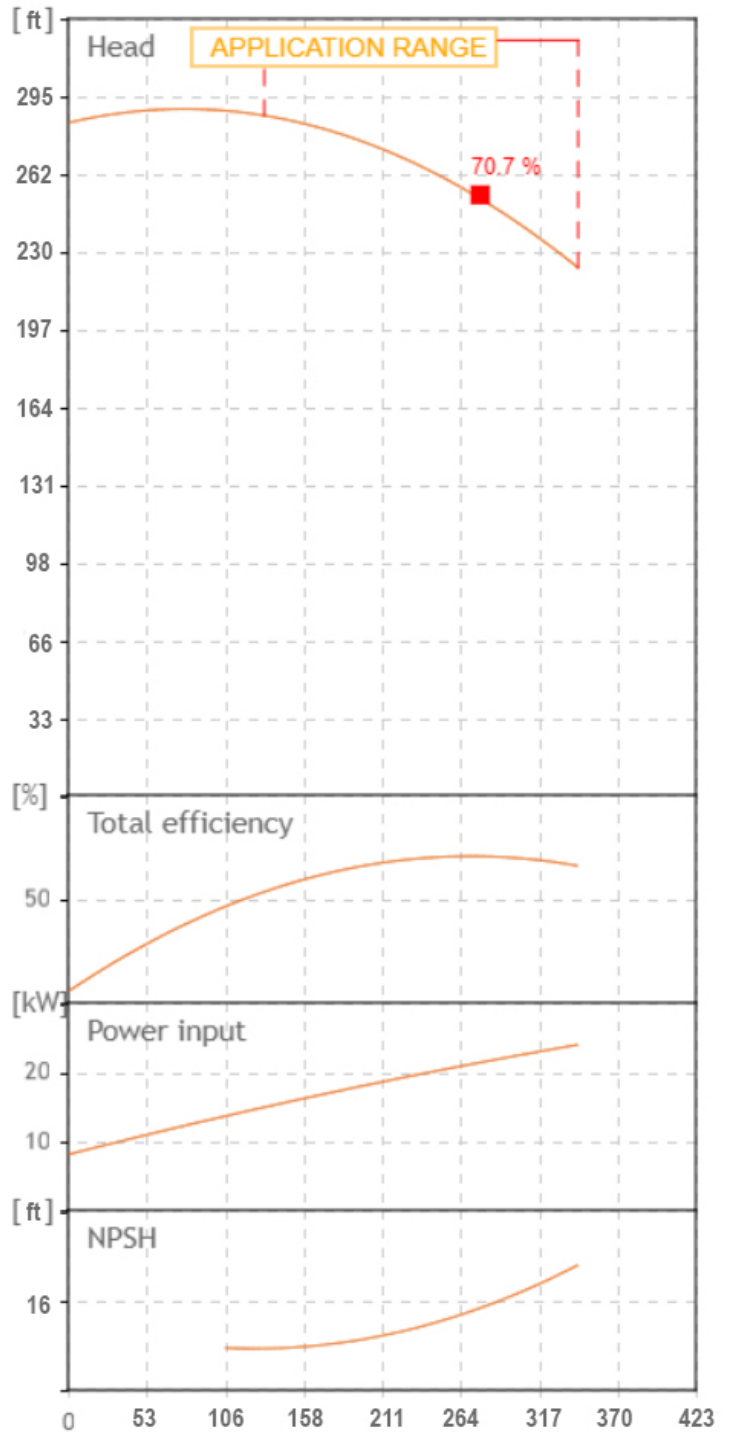
- Pump body: cast iron G20 with anti-corrosive coating
- Motor bracket: cast iron G20 with anti-corrosive coating
- in/outlet: ANSI 125
- Impeller: cast iron G20 with cataphoretic treatment
- Welding counter flanges: galvanized steel complete with EPDM gaskets
- Pump shaft: stainless steel AISI 304
- Mechanical seal: carbon-ceramics
- Welding Flanges Included



MOTOR

The control motors are asynchronous, squirrel cage-type, closed, with external ventilation

- The motor protection for three-phase models must be installed by the customer. Equipment compliant with current standards should be used
- Class of insulation: F
- Service: S1
- Degree of protection: Three Phase 55
- Terminal board protection IP 54

Tolerance of curves to ISO 9906



| | | | | | |
|------------------------------------------------------------------------------------|----------------|--------------------------------------------------|----------------|------------------------------------------------------------------------------------------------------|---------------|
|  | | SEA LAND S.r.l. (PD) ITALY www.sea-land.it | |  MADE IN ITALY | |
| Type CN 50-250 A | | | | | |
| H | 67.4 - 87.3 | m | Q | 1300 - 500 | l/1' |
| Hmin | 67.4 | m | Hmax | 86.8 | m |
| | | | P ₁ | 24500 | W |
| ○ | 30 | HP | 22 | kW | ○ 72.7 - 42 A |
| 3~ | 220 / 460 | V | 60 | Hz | η % |
| μF | | V | IP 55 | | 3500 Rpm |
| S/N | | Ins.Cl F | ▽ | | m |
| T. MAX FLUID. | 35 °C | 198 | kg | | |
| Servizio continuo | Continuos duty | | | | |

[US GPM]

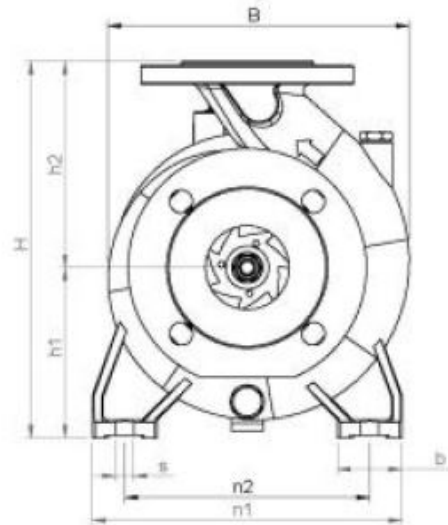
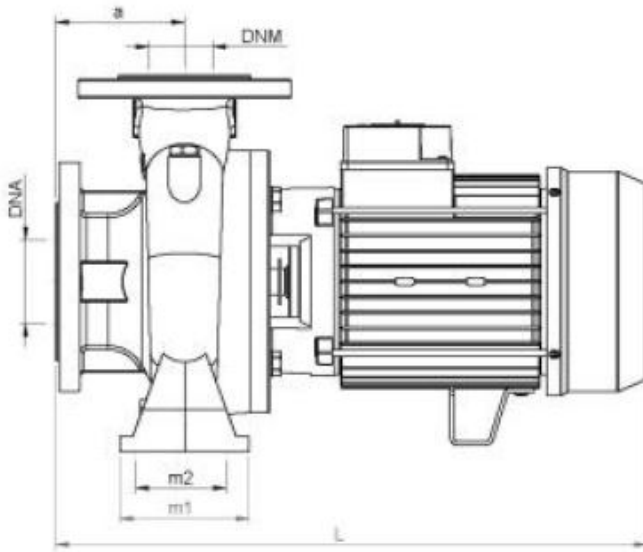
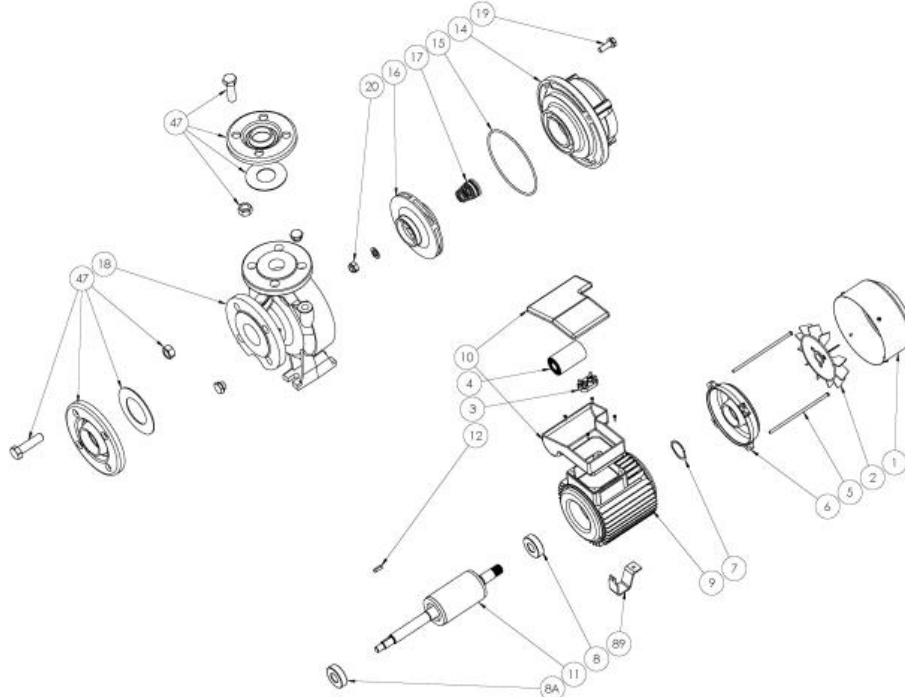


From
Company: Gol pumps
Reference:
Address: 6520 Nw 77ct



Phone: 786-613-5872
Email: h.goltapeh@golpumps.com

Sea-land reserves the right to make changes without prior notice
Page 1 / 2



| TIPO TYPE | DIMENSIONI [mm] DIMENSIONS [mm] | | | | | | | | | | | | | | IMBALLO [mm] PACKING [mm] | | | PESO WEIGHT | | |
|--------------|------------------------------------|----|----|-----|-----|-----|-----|-----|-----|----|-----|-----|-------|-------|------------------------------|-------|-----|----------------|-----|------|
| | A | B1 | S | L | B | H | n1 | n2 | m1 | m2 | H1 | H2 | K asp | K man | B asp | B man | Ai | Pi | Li | [kg] |
| CN 50-250 A | 100 | 65 | 14 | 726 | 334 | 405 | 320 | 250 | 125 | 95 | 180 | 225 | 145 | 125 | 19 | 19 | 480 | 880 | 430 | 198 |

| TIPO TYPE | DIMENSIONI [mm] DIMENSIONS [mm] | | | |
|--------------|------------------------------------|--------|------------|------------|
| | n° asp | n° man | DNA (inch) | DNM (inch) |
| CN 50-250 A | 4 | 4 | 65 (2.5") | 50 (2") |

From
Company: Gol pumps
Reference:
Address: 6520 Nw 77ct



Phone: 786-613-5872
Email: h.goltapeh@golpumps.com

Sea-land reserves the right to make changes without prior notice
Page 2 / 2